

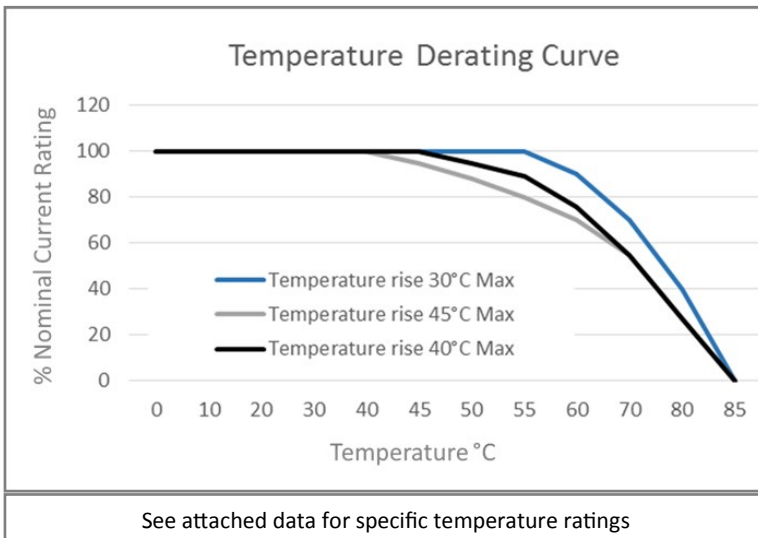
RIS Series IEC Inlet Filters

Twin Fused - Screw Fix

The RIS series of general purpose IEC inlet filters offers good performance for both common mode and differential mode interface, in a standard compact size.

A standard IEC inlet filter available from Roxburgh EMC with quick and easy mounting.

- Current ratings, 2A, 4A and 6A
- Rated at 250V
- Also available with increased x and y caps for optimum performance
- Customisation services available
- Available from UK stock



Meets overvoltage category II of IEC664
Complies with BS EN 60950

UL Standard: UL1283
UL File No. E191581
CSA Standard: C22.2

Features:

- UL Approved
- General Purpose
- 2 to 6 Amp Current Ratings
- IEC Inlet with fast-on termination

Application Examples:

- Digital Equipment
- Point-of-sale equipment
- Printers
- Inverters
- Vending and Gaming machines

Benefits:

- Quick and easy mounting
- Safety approvals held
- UK stock

Technical specification attached includes:

part numbers
mechanical data
electrical values

DEM Manufacturing
Deltron Emcon House
Hargreaves Way
Sawcliffe Industrial Park
Scunthorpe
DN15 8RF



Tel: 44 (0) 1724 273200
Fax: 44 (0) 1724 280353
Email: sales@dem-uk.com
Web: www.dem-uk.com/roxburgh

A. General Specifications

Model	Rated Voltage AC,DC[V]	Rated Current [A]	Leakage Current Max. [mA]	Temperature Rise Max. [°C]
RIS-02*2-H*	250	2	0.35	40
RIS-04*2-H*	250	4	0.35	45
RIS-06*2-H*	250	6	0.35	45

- * Leakage current measuring method
UL 1283(3rd Edition): -26 and Fig 26.1
- * Temperature rise measuring method
VDE 0565-3 : - 2.3.3 and - 4.5

B. Operating Temperature Range

-25°C to +85°C including temperature rise.

C. Withstand Voltage

1500V AC for 1 minute between line and ground.

1800V DC for 1 minute between line and line. (Without bleeder resistor)

D. Insulation Resistance

300M Ω minimum at 500V DC between line and ground.

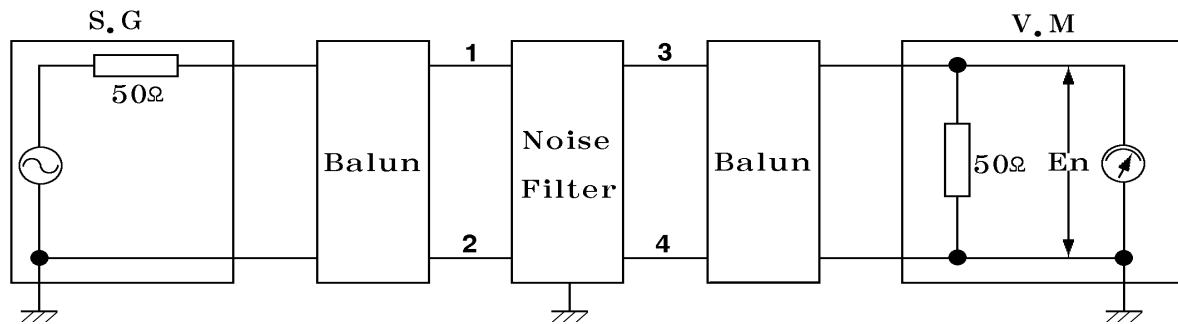
E. Voltage Drop

1 volt maximum at rated current.

F. Circuit Diagram and Component Values

-Refer to attached Appendix page A1

G. Attenuation Measuring Method



OSC Level : 0dB

Insertion loss = $-20\log(E1/E2)$ [dB]

E1 : Level with the Noise Filter in the circuit.

E2 : Level without the Noise Filter in the circuit

H. Guaranteed Minimum Attenuation In [dB]

-Refer to attached Appendix page A1

I. Shapes and Dimensions

-Refer to attached Appendix page A2

J. Marking

1. Trademark.
2. Model No.
3. Rated voltage and current.
4. Operating temperature range.
5. Circuit diagram and component values.
6. Lot No.
7. UL, CSA Mark.

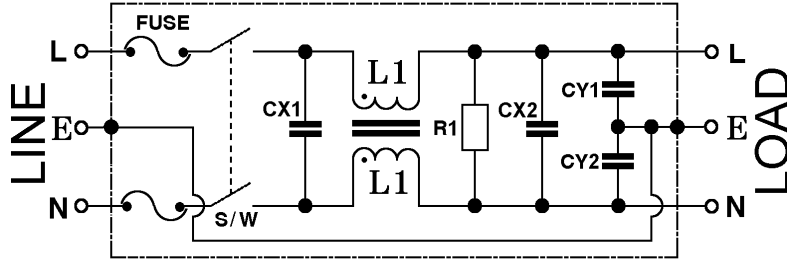
K. Material List

-Refer to attached Appendix page A3

L. Packing

-Refer to attached Appendix page A4

※ . Circuit Diagram and Component Values



Model No.	Fuse-Rated Current [A]	Inductance L1[mH], +50, -30%	X-Capacitor CX1[μF] ± 20%	X-Capacitor CX2[μF] ± 20%	Resistor R[Ω] ± 10%	Y-Capacitor CY1, 2[pF] ± 20%
RIS-0212-H1	2	10.5	0.1	0.1	1M, 1/2W	2200
RIS-0222-H2	2	10.5	0.22	0.22	510K, 1/2W	
RIS-0412-H1	4	4.2	0.1	0.1	1M, 1/2W	
RIS-0422-H2	4	4.2	0.22	0.22	510K, 1/2W	
RIS-0612-H1	6.3	1.6	0.1	0.1	1M, 1/2W	
RIS-0622-H2	6.3	1.6	0.22	0.22	510K, 1/2W	

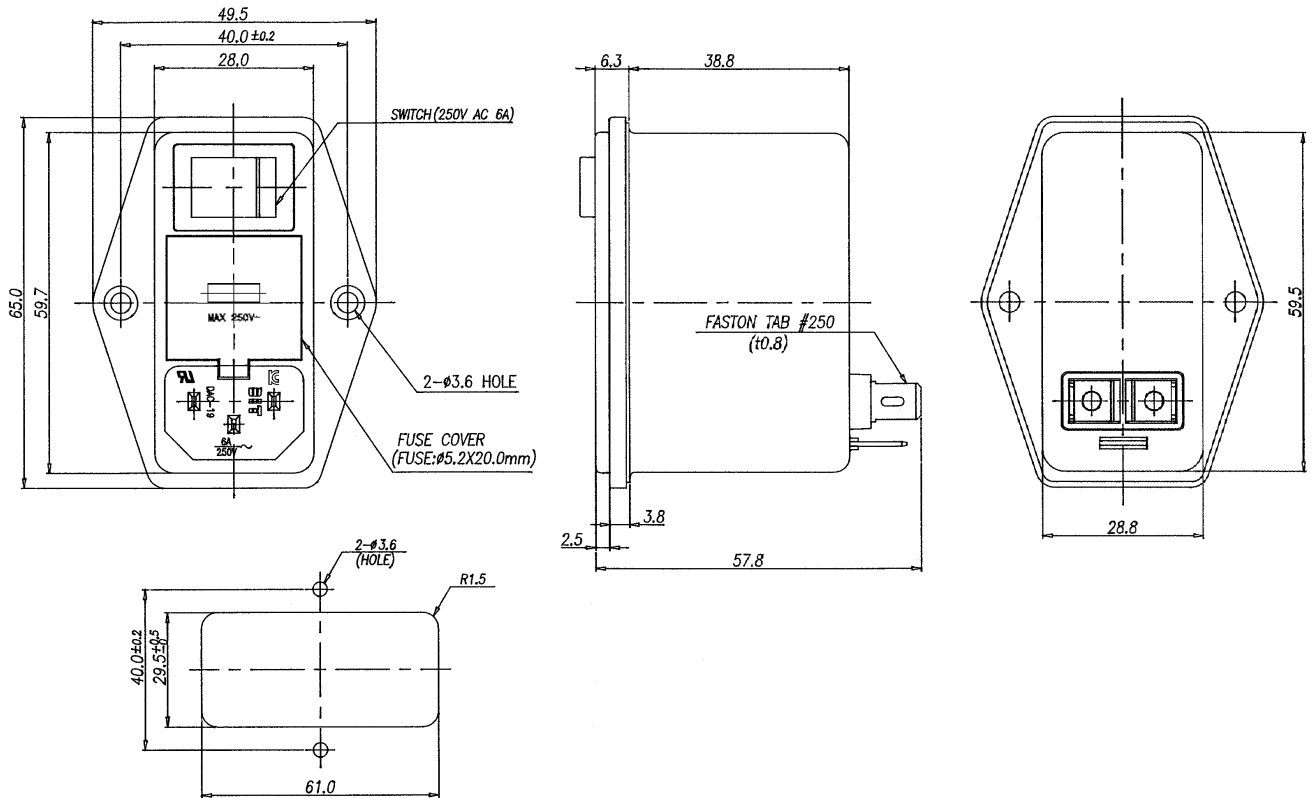
※ . Guaranteed Minimum Attenuation In [dB]

Model	Common mode [MHz]							Normal mode [MHz]						
	0.15	0.45	1	2	5	10	30	0.15	0.45	1	2	5	10	30
RIS-0212-H1	36	50	43	40	38	38	36	22	53	75	86	75	66	51
RIS-0222-H2	38	50	44	39	39	39	32	38	70	88	88	71	65	52
RIS-0412-H1	28	40	45	45	44	42	37	9	44	64	82	79	65	50
RIS-0422-H2	29	41	45	43	42	42	35	25	60	82	87	77	66	50
RIS-0612-H1	20	31	36	42	45	43	50	16	32	55	78	76	69	65
RIS-0622-H2	20	31	35	42	45	45	40	15	50	71	85	69	65	63

Item : EMI Filter
Model No : RIS-Series

Rev. 2
A 2

※ . Shapes and Dimensions Unit: [mm]



* Panel cutout dimensions
mount from frontside.

General tolerance: ±1.0

※ . Packing

1. Quantity & Weight

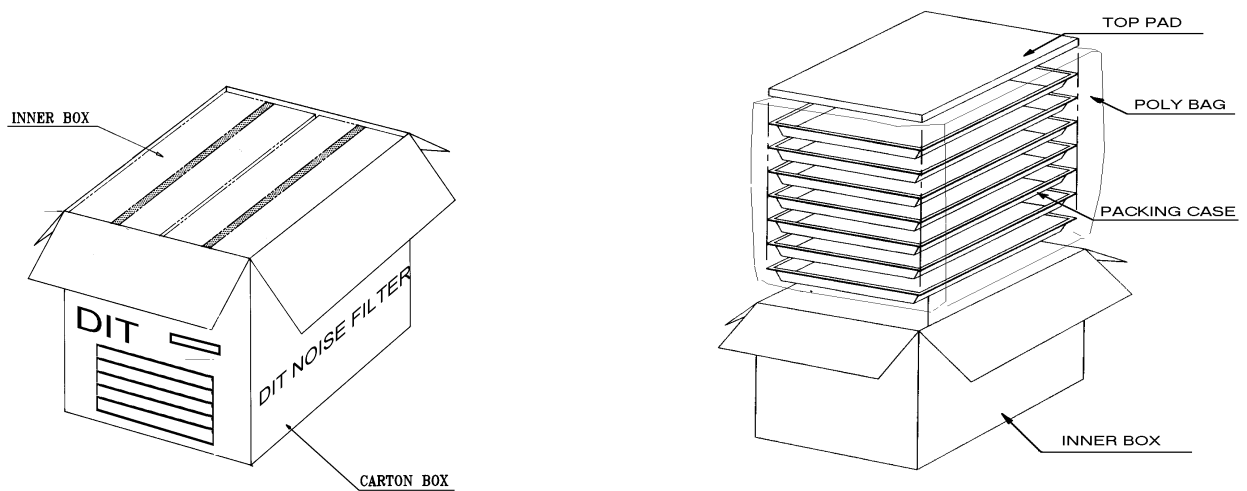
Packing Case	Q'ty/ 1 Box	Gross Weight(kg)
CARTON BOX	100	17
INNER BOX	50	7.5

2. Packing Case

Packing Case	Q'ty	Material	Dimension(W×L×Hmm)
CARTON BOX	1/100	SK3SA	360×346×249
INNER BOX	1/50	SKSA B Type	328×170×215
PACKING CASE	1/10	P.E.T	318×163×47
TOP PAD	1/50	Styrofoam(PS)	310×155×8t
POLY BAG	1/50	PE SHEET	360×550

3. Marking

- 1) Model No.
- 2) Q'ty of products
- 3) Lot No.
- 4) Trademark



X-ON Electronics

Largest Supplier of Electrical and Electronic Components

Click to view similar products for [AC Power Entry Modules](#) category:

Click to view products by [ROXBURGH EMC](#) manufacturer:

Other Similar products are found below :

[0098.0050](#) [6-1609987-9](#) [6167.0002](#) [7-6609955-2](#) [FN389-4-22](#) [FN9233ER-12-06](#) [FN9233S1-10-06](#) [FN9233S1-8-06](#) [FN9233S1B-8-06](#)
[FN9233S1R-1-06](#) [FN9233S1R-12-06](#) [FN9233SB-1-06](#) [FN9233SB-12-06](#) [FN9233SB-8-06](#) [FN9233SR-10-06](#) [FN9233SR-3-06](#) [FN9244B-15-06](#)
[HI](#) [FN9244EB-3-06](#) [FN9244EB-8-06](#) [FN9244ER-15-06](#) [FN9244ER-8-06](#) [FN9244ES1-8-06](#) [FN9244ESB-8-06](#) [FN9244EU-6-06](#)
[FN9244R-12-06](#) [FN9244R-3-07](#) [FN9244R-8-06](#) [FN9244S1-10-06](#) [FN9244S1-12-06](#) [FN9244S1-3-06](#) [FN9244S1B-6-06](#) [FN9244S1R-3-06](#)
[FN9244S-6-06](#) [FN9244SB-10-06](#) [FN9244SB-6-06](#) [FN9244SB-8-06](#) [FN9244SR-10-06](#) [FN9244SR-6-06](#) [FN9244U-3-06](#) [FN9244U-8-06](#)
[FN9260A-6-06](#) [PE00SSSXB](#) [Fuse-H-EUR-1](#) [Fuse-H-USA-1](#) [PM00XD000](#) [PS0SSDBX0](#) [PS0SXSH3B](#) [A-0701-HT-H](#) [RAPC3FG](#) [15EJMS8](#)