

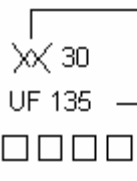
Specification Status: Released

Maximum Electrical Rating at 20°C

30 V_{DC} / 100 A_{DC}
30 V_{AC} / 70 A_{RMS}

Insulating Material:
Cured, Flame Retardant Epoxy Polymer
meets UL94 V-0 Requirements

Lead Material:
24 AWG Tin Plated Copper Clad Steel

Marking:

 Manufacturer's Mark and Voltage
 Part Identification
 Lot Identification (can be on back)

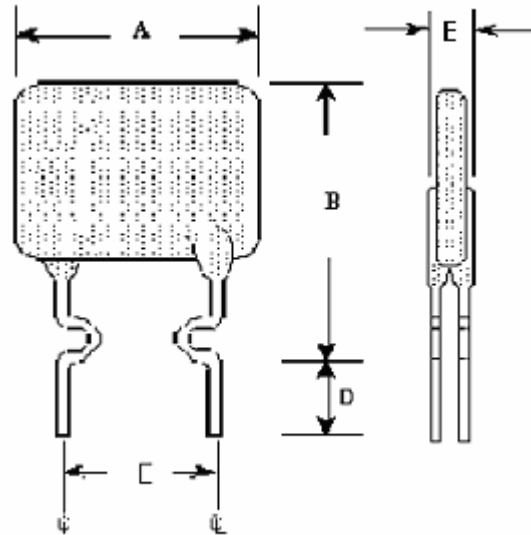


TABLE I. DIMENSIONS:

| | A | | B | | C | | D | | E | |
|------|-----|--------|-----|--------|--------|--------|--------|-----|-----|--------|
| | MIN | MAX | MIN | MAX | MIN | MAX | MIN | MAX | MIN | MAX |
| mm: | -- | 8.9 | -- | 13.5 | 4.3 | 5.8 | 7.6 | -- | -- | 3.0 |
| in*: | -- | (0.35) | -- | (0.53) | (0.17) | (0.23) | (0.30) | -- | -- | (0.12) |

*Rounded off approximation

TABLE II. PERFORMANCE RATINGS:

| I HOLD | CURRENT RATINGS | | TIME TO TRIP | RESISTANCE | | ONE-HOUR POST-TRIP RESISTANCE STANDARD TRIP | NOMINAL TRIPPED POWER DISSIPATION |
|----------------|-------------------|------|-----------------------------|------------------|------------------|---|-----------------------------------|
| AMPS 20°C HOLD | AMPS AT 20°C HOLD | TRIP | SECONDS AT 20°C, 6.75.A MAX | OHMS AT 20°C MIN | OHMS AT 20°C MAX | OHMS AT 20°C MAX | WATTS AT 20°C |
| 1.35 | 1.35 | 2.70 | 7.3 | 0.04 | 0.08 | 0.13 | 0.8 |

Agency Recognitions: UL, CSA, TUV
 Reference Documents: PS300
 Precedence: This specification takes precedence over documents referenced herein.
 Effectivity: Reference documents shall be the issue in effect on the date of invitation for bid.
 CAUTION: Operation beyond the rated voltage or current may result in rupture, electrical arcing or flame.

Materials Information

ROHS Compliant ELV Compliant Pb-Free

Directive 2002/95/EC Compliant

Directive 2000/53/EC Compliant



X-ON Electronics

Largest Supplier of Electrical and Electronic Components

Click to view similar products for [Specialty Fuses](#) category:

Click to view products by [Littelfuse](#) manufacturer:

Other Similar products are found below :

[63NZ02GL](#) [714125](#) [722134](#) [80NH00GR-6](#) [FWH-200A](#) [FWP-10B](#) [FWP-32A14F](#) [FWP-50](#) [HBM-25](#) [12LCT](#) [12TDLSJ63](#) [REN-3](#)
[15.5CAVH2E](#) [ECF-1](#) [ECF-2](#) [ECF-3](#) [ECF-4](#) [ECF-6](#) [170M0213](#) [170M1314](#) [170M1369-D](#) [170M1420](#) [170M3809D](#) [BK/F02A-2AS](#)
[BK/F02B-1A](#) [N-2-1/2](#) [N-3-2/10](#) [NITD2](#) [20D16](#) [20D16SC](#) [20D27FB](#) [KAA-3](#) [KAB-2](#) [KAB-30](#) [KAJ-60](#) [KAW-3](#) [2D16](#) [LKN-125B](#)
[16D27SB](#) [16FC](#) [170M1564D](#) [170M2616](#) [170M2668](#) [170M4161](#) [170M4241](#) [170M4699](#) [ESD63](#) [ABS-25](#) [ABS-8](#) [ACF-15](#)