

**Specification Status: Released**

**Maximum Electrical Rating at 20°C**

**30 V<sub>DC</sub> / 100 A<sub>DC</sub>**  
**30 V<sub>AC</sub> / 70 A<sub>RMS</sub>**

**Insulating Material:**

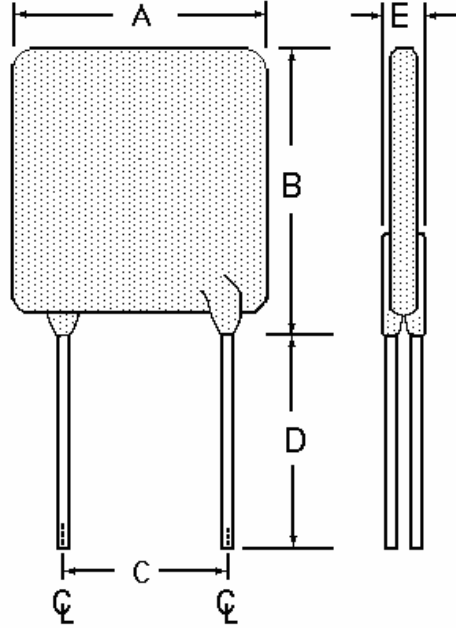
Cured, Flame Retardant Epoxy Polymer  
meets UL94 V-0 Requirements

**Lead Material:**

20 AWG Tin Plated Copper

**Marking:**

- Manufacturer's Mark and Voltage
- XX 30
- UF 400 — Part Identification
- □ □ □ — Lot Identification (can be on back)



**TABLE I. DIMENSIONS:**

	A		B		C		D		E	
	MIN	MAX	MIN	MAX	MIN	MAX	MIN	MAX	MIN	MAX
mm:	--	14.0	--	19.3	4.3	5.8	7.6	--	--	3.0
in*:	--	(0.55)	--	(0.76)	(0.17)	(0.23)	(0.30)	--	--	(0.12)

\*Rounded off approximation

**TABLE II. PERFORMANCE RATINGS:**

I HOLD	CURRENT RATINGS		TIME TO TRIP	RESISTANCE		ONE-HOUR POST-TRIP RESISTANCE STANDARD TRIP	NOMINAL TRIPPED POWER DISSIPATION
AMPS 20°C HOLD	AMPS AT 20°C HOLD	AMPS AT 20°C TRIP	SECONDS AT 20°C, 20.0A MAX	OHMS AT 20.0° C MIN	OHMS AT 20.0° C MAX	OHMS AT 20°C MAX	WATTS AT 20°C
4.00	4.00	8.00	12.7	0.01	0.03	0.05	2.5

Agency Recognitions:  
Reference Documents:  
Precedence:  
Effectivity:  
CAUTION:

UL, CSA, TUV  
PS300  
This specification takes precedence over documents referenced herein.  
Reference documents shall be the issue in effect on the date of invitation for bid.  
Operation beyond the rated voltage or current may result in rupture, electrical arcing or flame.

**Materials Information**

ROHS Compliant

ELV Compliant

Pb-Free



## X-ON Electronics

Largest Supplier of Electrical and Electronic Components

*Click to view similar products for [Resettable Fuses - PPTC category](#):*

*Click to view products by [Littelfuse manufacturer](#):*

Other Similar products are found below :

[0001.1010.G](#) [D38999/20WG39JN](#) [F02B250V1-4AS](#) [ASMD185-2](#) [EN2997S61212AN](#) [EN2997SE61203AN](#) [BK-ABC-V-5-R](#) [LR4-550RAF](#)  
[SMD125-2](#) [F60C500V20AS](#) [TR600-150Q-B-0.5-0.130](#) [BK-AGX-20](#) [5E4795/04-1502](#) [EN2997S61212MN](#) [EN2997SE61203MN](#)  
[EN2997SE61212AN](#) [EN2997SE61212MN](#) [EN2997KE61212MN](#) [EN2997K61212MN](#) [EN2997SE02219M8](#) [EN2997SE02219A8](#)  
[EN2997S02219M8](#) [EN2997S02219A8](#) [EN2997KE61212AN](#) [EN2997K61212AN](#) [TR-3216FF20-R](#) [TRF250-080T-B-1.0-0.125](#)  
[JT06RT1832BN014](#) [120110-0044](#) [SMD100-2](#) [F03A250V1-1-2AS](#) [BK-AGC-1-8-R](#) [BK-AGC-2-10-R](#) [BK-AGC-7-1-2](#) [BK-MDL-1-6-10-R](#)  
[BK-SFE-4](#) [BK-ABC-1-R](#) [BK-C518-250-R](#) [BK-GDB-2A](#) [BK-MDL-1-8-R](#) [BK-MDL-6](#) [BK-AGC-5-R](#) [BK-ATC-2](#) [BK-C520-100-R](#) [BK-](#)  
[MDA-5-R](#) [BK-PCC-1-R](#) [BK-S506-5-R](#) [BK-GBB-5-R](#) [BK-GMA-6-R](#) [BK-GMC-1-R](#)