

High Selectivity Super Het Receiver

SAW FILTERED & VERY HIGH SENSITIVITY

RX-CLASS1 869

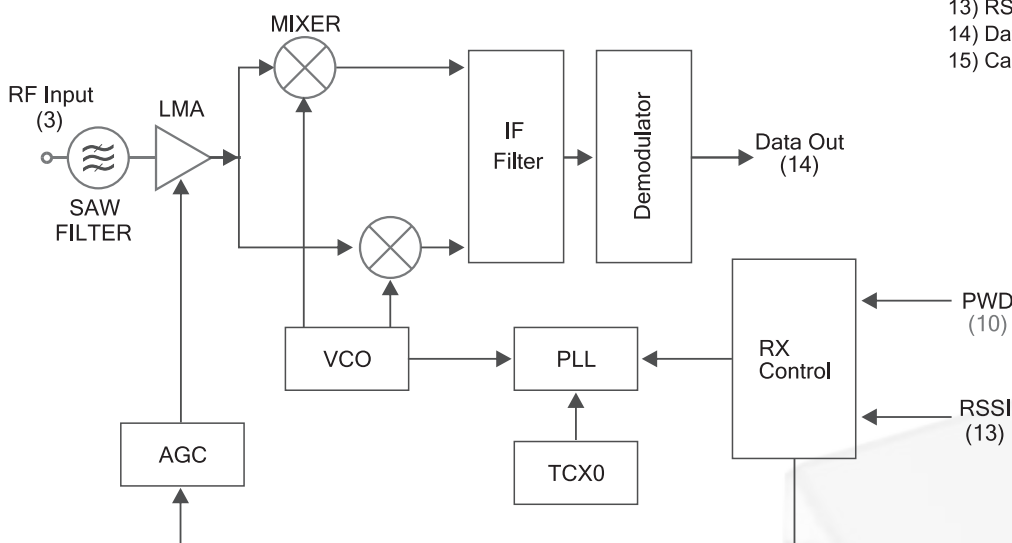
DESCRIZIONE

Ricevitore supereterodina 2FSK a banda stretta con canalizzazione di 25 KHz, con largo range di alimentazione. AUREL standard pin out. Elevatissima sensibilità e reiezione ai canali adiacenti e al blocking. Ideale per operare nelle sottobande Social Alarm Europee. Omologabile in classe 1 EN 300 220 ed EN 301 489.

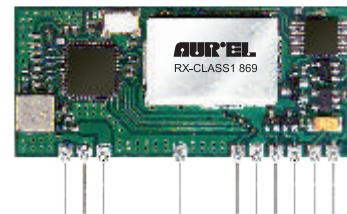
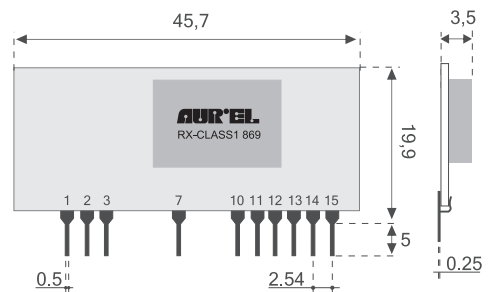
DESCRIPTION

Narrowband super-het receiver for 2FSK digital data, with 25 KHz channelization and wide supply voltage. AUREL standard pin-out. Ultra sensitivity, adjacent channel selectivity and blocking. Two frequency channels to operate in the European Social Alarms subband. Conforming to EN 300-220 and EN 301 489.

BLOCK DIAGRAM



DIMENSIONS



PIN-OUT

- 1) +Vcc
- 2) GND
- 3) RF Input (50 Ohm)
- 7) GND
- 10) Power Down
- 11) GND
- 12) Data Rate
- 13) RSSI
- 14) Data Out
- 15) Canale radio

APPLICAZIONI

- Social Alarm
- Telesoccorso
- Sistemi antincendio
- Controllo radio

APPLICATIONS

- Social Alarm
- Nursing home
- Fire alarms
- Radio Control

High Selectivity Super Het Receiver

SAW FILTERED & VERY HIGH SENSITIVITY

RX-CLASS1 869

TECHNICAL SPECIFICATION

Ta = 25 °C

Characteristics	Caratteristiche	Min	Typ	Max	Unit
Supply Voltage (Vcc)	Alimentazione	3		5.5	Vdc
Supply Current	Corrente Assorbita			40	mA
Receiver frequency CH1 ⁽¹⁾	Frequenza di ricezione CH1 ⁽¹⁾		869.2125		MHz
Receiver frequency CH2 ⁽²⁾	Frequenza di ricezione CH2 ⁽²⁾		869.2375		MHz
Sensitivity	Sensibilità RF	-113	-115	-117	dBm
Image Frequency Rejection	Reiezione d'immagine		40		dB
Adjacent Channel Selectivity	Selettività canale adiacente		54		dB
Adjacent Channel Saturation	Saturazione canale adiacente		95		dBm
Blocking	Blocking		100		dB
Spurious Emission	Emissione spurie		-60		dBm
RF bandwidth -3dB	Banda passante RF		10		KHz
Baud rate selectable ⁽³⁾	Baud rate selezionabile ⁽³⁾				Khz
Start-up Time (Vcc from 0 to 5V)	Tempo di accensione (Vcc da 0 a 5V)			100	ms
Start-up Time (Power-Down/On)	Tempo di accensione (Power-Down/On)			100	ms
Logic Low	Livello logico alto			Vs-0.4	Volt
Logic High	Livello logico basso			0.4	Volt
Power - Down Supply Current	Corrente assorbita in Power Down			3	µA

Note 1: Selezionabile impostando 0 su pin 15

Note 2: Selezionabile impostando 1 su pin 15

Note 3: Data rate 1 Kbps codificato Manchester con ± 5% di tolleranza. P12 è utilizzato per selezionare il Baude rate: 0 seleziona 1 Kbps, 1 seleziona 3 Kbps.

Note 1: Selectionable setting 0 on pin 15

Note 2: Selectionable setting 1 on pin 15

Note 3: Data rate 1Kbps Manchester coded with ± 5% of tolerance. P12 is used to choose the Baude rate: 0 selects 1 Kbps, 1 selects 3 Kbps.

X-ON Electronics

Largest Supplier of Electrical and Electronic Components

Click to view similar products for [RF Modules](#) category:

Click to view products by [Aurel](#) manufacturer:

Other Similar products are found below :

[HMC-C009](#) [nRF24L01P-MODULE-PCB](#) [HMC-C001](#) [HMC-C021](#) [HMC-C024](#) [XB9XT-DPRS-721](#) [XBP24BZ7PIT-004J](#) [XBP9B-DMUTB022](#) [nRF24L01P-MODULE-SMA](#) [CMD-KEY2-418-CRE](#) [XM-C92-2P-UA](#) [XB9XT-DPUS-721](#) [V640-A90](#) [HMC-C583](#) [MAAM-008818-TR3000](#) [MTSMC-H5-U](#) [SIMSA868-PRO](#) [SIMSA915C-PRO](#) [SIMSA868C-PRO](#) [SIMSA433C-PRO](#) [SIMSA915-PRO](#) [XBP9B-DMUT-042](#) [HMC-C582](#) [HMC-C022](#) [XBP9B-DPST-041](#) [XBP9B-DMWT-042](#) [SM-MN-00-HF-RC](#) [HMC-C031](#) [MT-02](#) [M1002GB](#) [702-W](#) [SIMSA868C-N-PRO](#) [SIMSA433C-N-PRO](#) [SIMSA915C-N-PRO](#) [PEPPER WIRELESS C1 USB](#) [S2-1050J-Z0K4J](#) [S2-10732-Z1T61](#) [S2-10716-Z1W4E](#) [S2-107ET-Z1W6D](#) [S2-10686-Z1L1D](#) [S2-10688-Z1L1T](#) [S2-106BA-Z1P20](#) [UC15EA-MINIPCIE](#) [SU60-2230C-PU](#) [RC-TFSK3-868](#) [NANO RFID POE](#) [650201424G](#) [H330 A30-00](#) [CMD-HHCP-433-MD](#) [RC-CC1101-SPI-868](#)