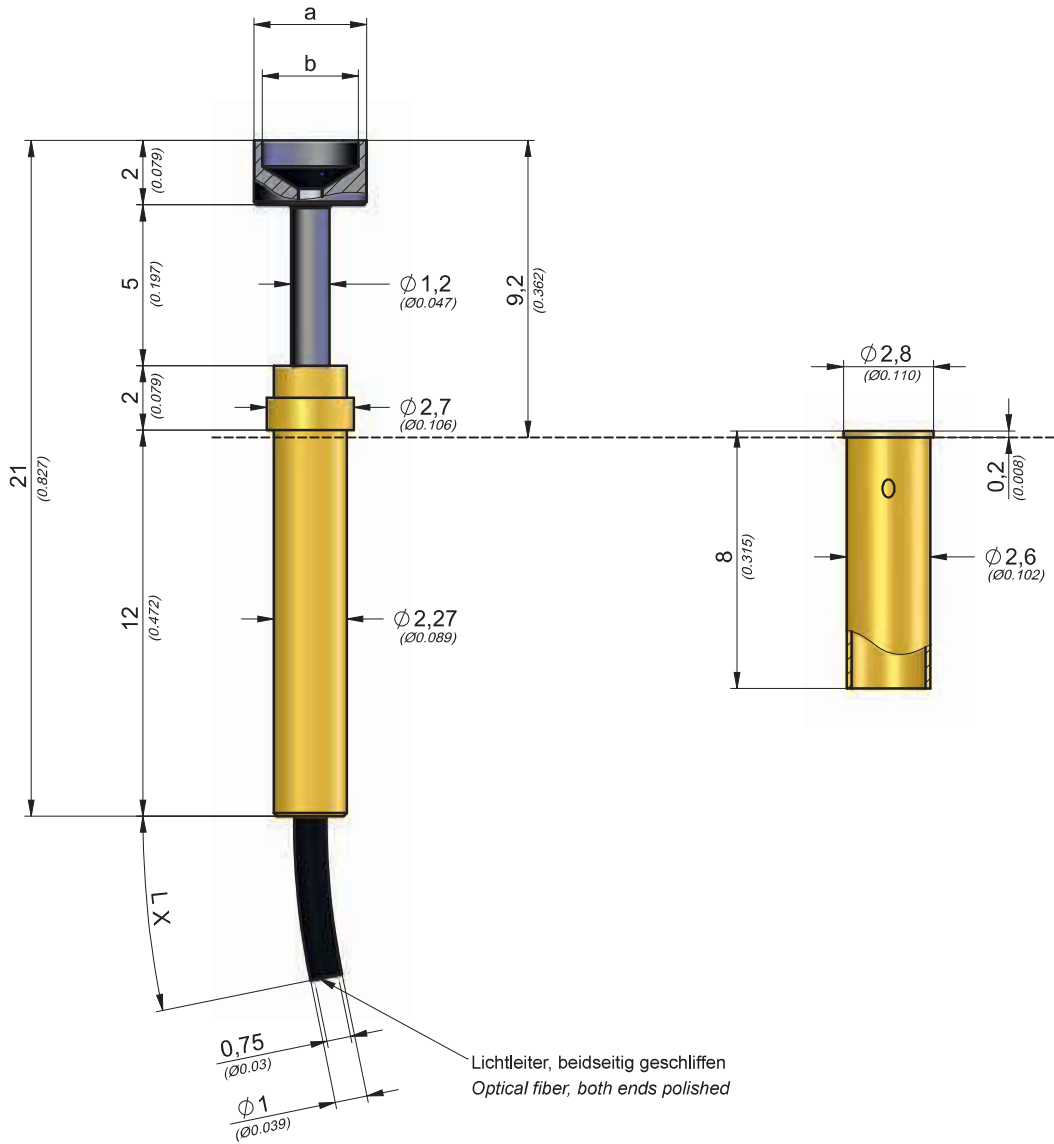


LED-Prüfstift TK 20 LED
LED-Testing Probe

Hülse S 20 LED
Receptacle



Serie Series TK 20 LED			
Kopfform Head Type	Kopfaußen- Ø mm Tip Outer Ø inch -a-	LWL-Länge in cm POF Length in inch	Kopffinnen- Ø mm Tip Inner Ø inch -b-
	1,20 0.047	L25 / 50 / 100 9.843 / 19.685 / 39.370	1,10 0.043
	1,50 0.059	L25 / 50 / 100 9.843 / 19.685 / 39.370	1,40 0.055
	2,00 0.079	L25 / 50 / 100 9.843 / 19.685 / 39.370	1,80 0.071
	2,50 0.098	L25 / 50 / 100 9.843 / 19.685 / 39.370	2,30 0.091
	3,00 0.118	L25 / 50 / 100 9.843 / 19.685 / 39.370	2,50 0.098
	3,50 0.138	L25 / 50 / 100 9.843 / 19.685 / 39.370	3,00 0.118
	4,00 0.157	L25 / 50 / 100 9.843 / 19.685 / 39.370	3,50 0.138
	4,50 0.177	L25 / 50 / 100 9.843 / 19.685 / 39.370	4,00 0.157
	5,00 0.197	L25 / 50 / 100 9.843 / 19.685 / 39.370	4,50 0.177

Bei Sonderlänge des Lichtwellenleiters bitte gewünschte Länge (L) in cm in der Bestellnummer angeben.
For customized POF lengths please note required length (L) in cm in the item order number.

Spezifikationen:
Specifications:

Prüfstift
Probe

Max. Federweg Max. Travel	5,0 mm 0.197 inch
Arbeitshub Working Stroke	4,0 mm 0.157 inch
Federkraft Spring Force	120 cN 4.2 oz
Führungshülse Material Barrel Material	Messing Brass
Feder Material Spring Material	Stahl Steel
Kolben (Kopf) Material Plunger (Head) Material	Messing verchromt, schwarz Chromed Brass, black

Lichtwellenleiter
Optical Fiber

Kern Material Core Material	PMMA
Mantel Material Cladding Material	Fluorinated Polymer
Schutzhülle Material Jacket Material	PE schwarz PE black
Lichtwellenleiter Ø Fiber Ø	0,75 mm +/- 0,045
Schutzhülle Ø Jacket Ø	1,0 mm +/- 0,060
Akzeptanzwinkel Acceptance Angle	60°
Dämpfung bei 650 nm Attenuation at 650 nm	< 0,20 dB/m
Min. Biegeradius Min. Bending Radius	> 25 mm
Betriebstemperatur Operating Temperature	-40 +70°C

Bestellbeispiel:

Ordering Example:

LED-Prüfstift, gefedert
LED-Testing Probe, spring loaded

TK20LED.	3,50.	L25
<small>Serie Series</small>	<small>Kopfaußen-Ø Tip outer Ø</small>	<small>LL-Länge POF length</small>

Hülse Receptacle	S20LED
	<small>Serie Series</small>

TK20LED.3,50.L25

S20LED

X-ON Electronics

Largest Supplier of Electrical and Electronic Components

Click to view similar products for [Contact Probes](#) category:

Click to view products by [TEKON](#) manufacturer:

Other Similar products are found below :

[CT5253](#) [CT5082](#) [100039-033-958](#) [100077-003-0-0](#) [300122-004-1102](#) [300122-031-1102](#) [S-4-C-5-G S/C](#) [300122-056-0203](#) [101880-000](#) [SS-75-B-2.4-G](#) [ICT-100-J-17-G](#) [S-100-Y-8-G-S](#) [S-100-U-10-G-S](#) [SS-75-C-4.9-D D/C .620 OAL](#) [100165-033-952](#) [100024-002-942](#) [SS-75-E-4.9-D D/C .620 OAL](#) [SX-0-U-2.2-G D/C](#) [101506-000](#) [101740-028-948](#) [ICT-100-V8-8-G S/C](#) [S-2-G-10-G D/C](#) [ICT-100-A-8-G S/C](#) [ICT-075-B-10-G-S S/C](#) [S-2-D-8.3-G D/C](#) [S-2-D-10-G D/C](#) [GSS-19-7-G S/C OAL](#) [ICT-100-T-8-G S/C](#) [GSS-4-7-G](#) [S-0-B9-2.5-G S/C](#) [SS-40-J-2.4-G D/C](#) [S-0-A-2.2-D 660 S/C](#) [SS-50-J-3.3-D S/C](#) [S-0-V-3.7-G S/C](#) [SX-2-B-7-G D/C](#) [SX-1-U-6.6-G D/C](#) [SX-1-C-6.6-G D/C](#) [SS-75-D-4.9-D D/C .620 OAL](#) [SS-50-J-5.1-G S/C](#) [SS-50-E-2.9-G S/C](#) [SS-40-J-1.8-G-N/L D/C](#) [SS-3-7-G S/C W/HOLE .373 OAL](#) [SS-18-7-G S/C W/HOLE .405 OAL](#) [SS-10-7-G S/C W/HOLE .373 OAL](#) [SS-1-7-G S/C W/HOLE .385 OAL](#) [SHE-5-H-18.7-G](#) [SHE-5-B-18.7-G](#) [SHE-5-A-18.7-G](#) [SHE-3-A-7-G](#) [SH-4-A-10-G S/C](#)