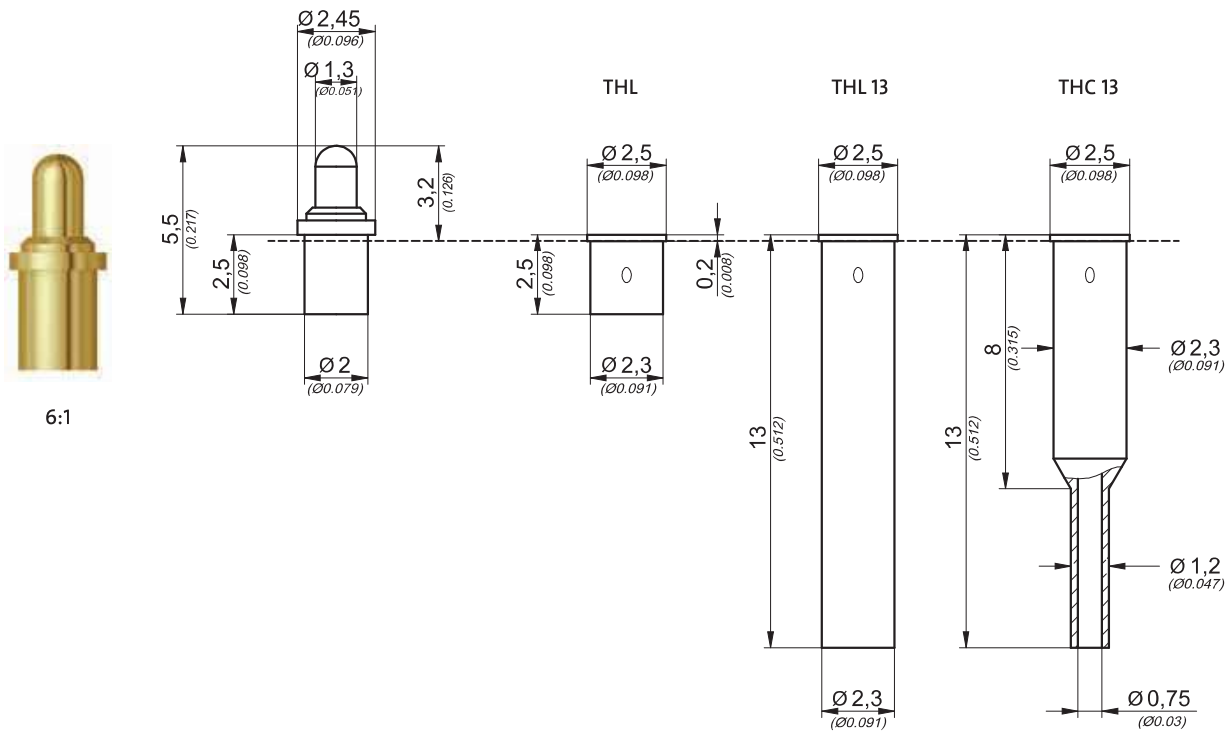


Lade- und Batteriekontakt TK 53 B  
 Battery and Interface Probe

Hülse S 53 B  
 Receptacle



Serie Series TK 53 B					
Kopfform Head Type	Nr. No.	Tastkopf Ø mm Probe Tip Ø inch	Werkstoff Material	Federkraft Spring Force in cN	Oberfläche Tastkopf Surface Probe Tip
	05	1,30 0.051	C	Standard 200 cN  Standard 7.1 oz.  Alternative 100 cN 50 cN  Alternative 3.5 oz. 1.8 oz.  +/- 20%	A

Technische Spezifikationen: Technical Specifications:	
Max. Federweg Max. Travel	1,2 mm 0.047 inch
Arbeitshub Working Stroke	1,0 mm 0.039 inch
Nennstrom Current Rating	1,5 A
Mittlerer Durchgangswiderstand Average Resistance	$R_m = 10 \text{ m}\Omega$
Standardabweichung Standard Deviation	$s = 1 \text{ m}\Omega$

Werkstoffe: Materials:	
Führungshülse Probe Barrel	Messing vergoldet Brass gold plated
Feder Spring	Stahl versilbert Steel silver plated
Kolben (Kopf) Plunger (Head)	CuBe (C) vergoldet (A) CuBe (C) gold plated (A)

Bestellbeispiel:  
 Ordering Example:

Federkontaktstift  
 Spring Contact Probe

TK53B.	05.	1,30.	C.	200.	A
Serie Series	Kopfform Headtype	Tastkopf Probe tip	Werkstoff Material	Federkraft Springforce	Oberfläche Surface

TK53B.05.1,30.C.200.A

Hülse  
 Receptacle

S53B.	THL
Serie Series	Hülseart Receptacle Type

S53B.THL

## X-ON Electronics

Largest Supplier of Electrical and Electronic Components

*Click to view similar products for [Contact Probes](#) category:*

*Click to view products by [TEKON](#) manufacturer:*

Other Similar products are found below :

[CT5253](#) [CT5082](#) [100039-033-958](#) [100077-003-0-0](#) [300122-004-1102](#) [300122-031-1102](#) [S-4-C-5-G S/C](#) [300122-056-0203](#) [101880-000](#) [SS-75-B-2.4-G](#) [ICT-100-J-17-G](#) [S-100-Y-8-G-S](#) [S-100-U-10-G-S](#) [SS-75-C-4.9-D D/C .620 OAL](#) [100165-033-952](#) [100024-002-942](#) [SS-75-E-4.9-D D/C .620 OAL](#) [SX-0-U-2.2-G D/C](#) [101506-000](#) [101740-028-948](#) [ICT-100-V8-8-G S/C](#) [S-2-G-10-G D/C](#) [ICT-100-A-8-G S/C](#) [ICT-075-B-10-G-S S/C](#) [S-2-D-8.3-G D/C](#) [S-2-D-10-G D/C](#) [GSS-19-7-G S/C OAL](#) [ICT-100-T-8-G S/C](#) [GSS-4-7-G](#) [S-0-B9-2.5-G S/C](#) [SS-40-J-2.4-G D/C](#) [S-0-A-2.2-D 660 S/C](#) [SS-50-J-3.3-D S/C](#) [S-0-V-3.7-G S/C](#) [SX-2-B-7-G D/C](#) [SX-1-U-6.6-G D/C](#) [SX-1-C-6.6-G D/C](#) [SS-75-D-4.9-D D/C .620 OAL](#) [SS-50-J-5.1-G S/C](#) [SS-50-E-2.9-G S/C](#) [SS-40-J-1.8-G-N/L D/C](#) [SS-3-7-G S/C W/HOLE .373 OAL](#) [SS-18-7-G S/C W/HOLE .405 OAL](#) [SS-10-7-G S/C W/HOLE .373 OAL](#) [SS-1-7-G S/C W/HOLE .385 OAL](#) [SHE-5-H-18.7-G](#) [SHE-5-B-18.7-G](#) [SHE-5-A-18.7-G](#) [SHE-3-A-7-G](#) [SH-4-A-10-G S/C](#)