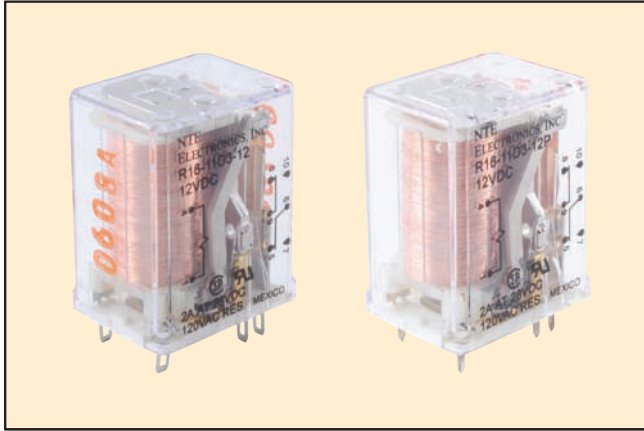


Features

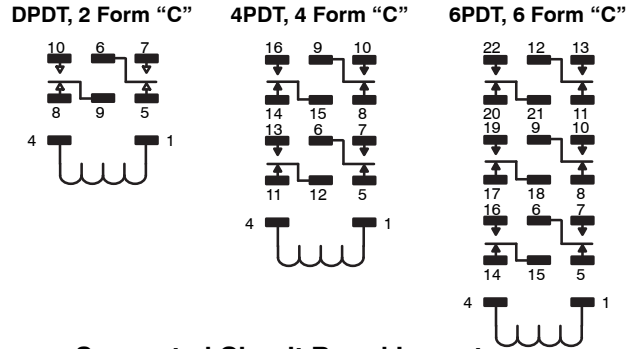
- DPDT, 4PDT & 6PDT Versions
- Combination Solder/Plug-In Terminals
- Printed Circuit Mount Version (P-suffix)
- See-Thru Plastic Cover
- Gold Overlay Bar Type Long Life Contacts



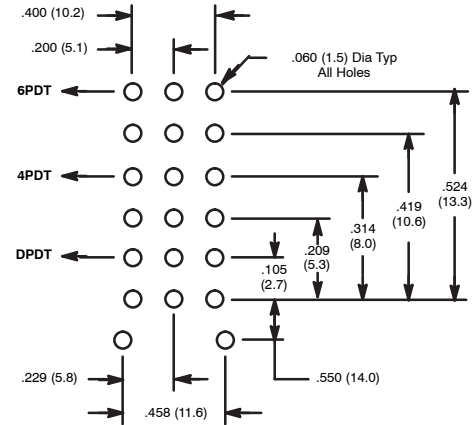
R16 Series



Miniature Industrial 3 Amp & 5 Amp AC & DC Relays.



Suggested Circuit Board Layout



| AC OPERATED | | | | | | |
|-----------------------------|--------------|--------------|----------------------|------------|-------------------------------------|-----------|
| NTE Type No. | Nom. Voltage | Contact Arr. | Coil Res. Ohms (Typ) | Nom. Power | Max. Contact Cur. @ 28VDC or 120VAC | Diag. No. |
| R16-11A5-115 | 115VAC | DPDT | — | 1.5VA | 5A | D12 |
| R16-17A5-115 | 115VAC | 4PDT | — | 2.5VA | 5A | D12 |
| DC OPERATED | | | | | | |
| R16-11D3-12 | 12VDC | DPDT | 185 | 0.75W | 3A | D12 |
| R16-11D3-12P | 12VDC | DPDT | 185 | 1W | 3A | D12A |
| R16-11D3-24 | 24VDC | DPDT | 700 | 1W | 3A | D12 |
| R16-11D3-24P | 24VDC | DPDT | 700 | 1W | 3A | D12A |
| R16-17D3-12 | 12VDC | 4PDT | 185 | 0.75W | 3A | D12 |
| R16-17D3-24 | 24VDC | 4PDT | 700 | 1W | 3A | D12 |
| R16-11D5-5 | 5/6VDC | DPDT | 52 | 0.5W | 5A | D12 |
| R16-11D5-12 | 12VDC | DPDT | 185 | 0.75W | 5A | D12 |
| R16-11D5-24 | 24VDC | DPDT | 700 | 1W | 5A | D12 |
| R16-17D5-5 | 5/6VDC | 4PDT | 52 | 1W | 5A | D12 |
| R16-17D5-12 | 12VDC | 4PDT | 185 | 1W | 5A | D12 |
| R16-17D5-12P | 12VDC | 4PDT | 185 | 1W | 5A | D12A |
| R16-17D5-24 | 24VDC | 4PDT | 700 | 1W | 5A | D12 |
| R16-17D5-24P | 24VDC | 4PDT | 700 | 1W | 5A | D12A |
| R16-23D5-12 (RLY2572 Note1) | 12VDC | 6PDT | 90 | 1W | 5A | D12 |
| R16-23D5-24 (RLY2573 Note2) | 24VDC | 6PDT | 430 | 1W | 5A | D12 |

Note 1. R16-23D5-12 and RLY2572 are exact equivalents and may be received with either device number on the package.
 Note 2. R16-23D5-24 and RLY2573 are exact equivalents and may be received with either device number on the package.

| ACCESSORIES | | | |
|-----------------|------------------------------------|--|--|
| MOUNTING STYLES | | DESCRIPTION | NTE TYPE NO. |
| PANEL MOUNT | (DPDT) (4PDT) (6PDT) | 10-PIN BLADE 16-PIN BLADE 22-PIN BLADE | R95-103 R95-109 RLY9134 |
| FLANGE MOUNT | (DPDT) (4PDT) (6PDT) | 10-PIN BLADE 16-PIN BLADE 22-PIN BLADE | RLY9173 RLY9174 RLY9175 |
| PC MOUNT | (DPDT) (4PDT) (6PDT) | 10-PIN BLADE 10-PIN BLADE 16-PIN BLADE 16-PIN BLADE 22-PIN BLADE 22-PIN BLADE | R95-102 RLY9170 R95-108 RLY9171 RLY9135 RLY9172 |

Electrical Specifications

Contact

Contact Rating: See chart (Note: U.L. for 3 Amp Only)
Contact Material: Silver, gold alloy and gold overlay
Contact Resistance: 0.050 Max. initial

Coil

Coil Voltages: See Chart
Pick-up Voltage: 80% of nominal or less
Resistance: See chart

Operational Characteristics

Timing Values Operate Time: DPDT-12 mS,
 4PDT -14 mS or less } at nominal
 Release Time: 8 mS or less } coil voltage

Insulation Characteristics

Dielectric Strength

Contact To Coil: 1500 VRMS
Across Open Contacts: 500 VRMS
Coil To Frame: 1000 VRMS
Insulation Resistance: 1000 megohms
 at 25°C and 50% RH

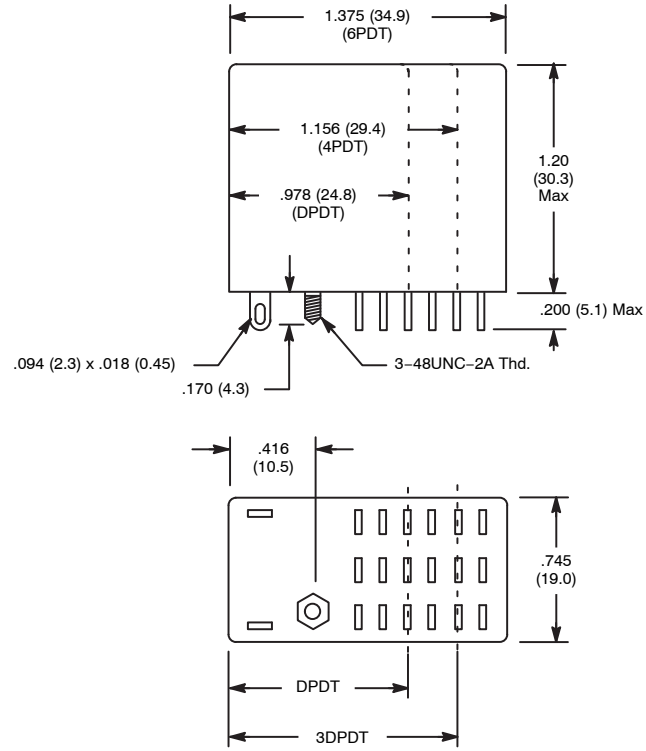
Environmental Characteristics

Operating: -55°C to +70°C, 10 sec. max
Solder-bath: 525°F (260°C) approx.

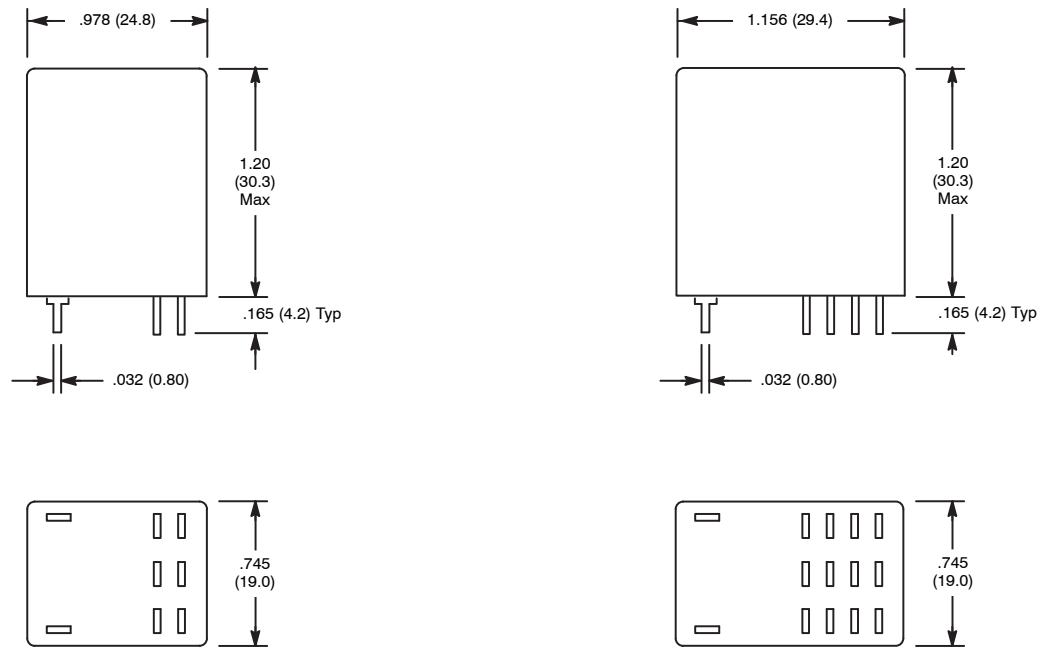
Weight

Std: 0.8 to 1.4 oz (22 to 40 grams) approx.

D12



D12A



X-ON Electronics

Largest Supplier of Electrical and Electronic Components

Click to view similar products for [NTE manufacturer](#):

Other Similar products are found below :

[747](#) [797](#) [868](#) [1724](#) [NEH680M50FE](#) [NEHH1.0M450CB](#) [NTE526A](#) [228A](#) [231](#) [954](#) [2023](#) [510](#) [WH20-04-25](#) [04-SLPE3750A](#) [5615](#) [591](#) [69-36WW-WR-KIT](#) [7056](#) [7448](#) [NEH.10M50AA](#) [NEH2.2M63AA](#) [NEH330M35DD](#) [NEH33M10AA](#) [NEV.22M100AA](#) [NEV470M50FF](#)
[NTE133](#) [NTE542](#) [NTE74154](#) [R02-11A10-120H](#) [04-SCBW25L-BK](#) [04-SCBW6C-BK](#) [04-SCBW32L-BK](#) [04-SCW10C-BK](#) [04-SCBW19L-GR](#) [04-SCW19L-WH](#) [04-SCW19L-OR](#) [04-SCW38L-WH](#) [04-SCBW50L-OR](#) [04-SCBW50L-GR](#) [04-SCW10C-GR](#) [04-SCW10C-OR](#) [04-SCBW32L-GR](#) [04-SCBW32L-WH](#) [04-SCBW32L-OR](#) [04-SCBW6C-WH](#) [04-SCBW6C-GR](#) [04-SCBW6C-OR](#) [04-SCBW25L-GR](#) [04-SCBW25L-WH](#) [04-ESNF-500L](#)