

Copyright FCI.

rev	ecn no	dr	date
A	-	HZ	2011-07-19
-	-	-	-
-	-	-	-
-	-	-	-
-	-	-	-
-	-	-	-

spec ref	-	dr	WL ZHANG	2011-07-21	projection	MM	size	A2	scale	4:1
tolerance std	ASME Y14.5	eng	WL ZHANG	2011-07-21	chr	JON QIN	ecn no	-	rel level	Released
TOLERANCES UNLESS OTHERWISE SPECIFIED		appr	PM ZHENG	2011-07-22	product family	HPCE	rel level	Released		
surface	linear	0.X	±0.3	0.XX	±0.10	0.XXX	±0.050	angular	0°	±2°
				R/A RECT (52P-22S) HIGH POWER CARD EDGE		10111743		rev A		
www.fcicom		cat. no.		Product - Customer Drw		sheet 1 of 4				

1 2 3 4 5 6 7 8

A

B

C

D

E

F

A

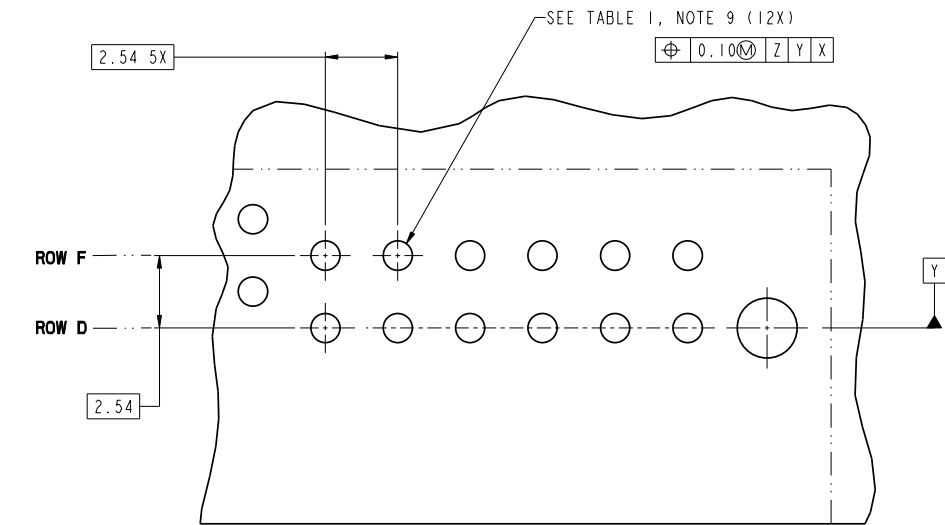
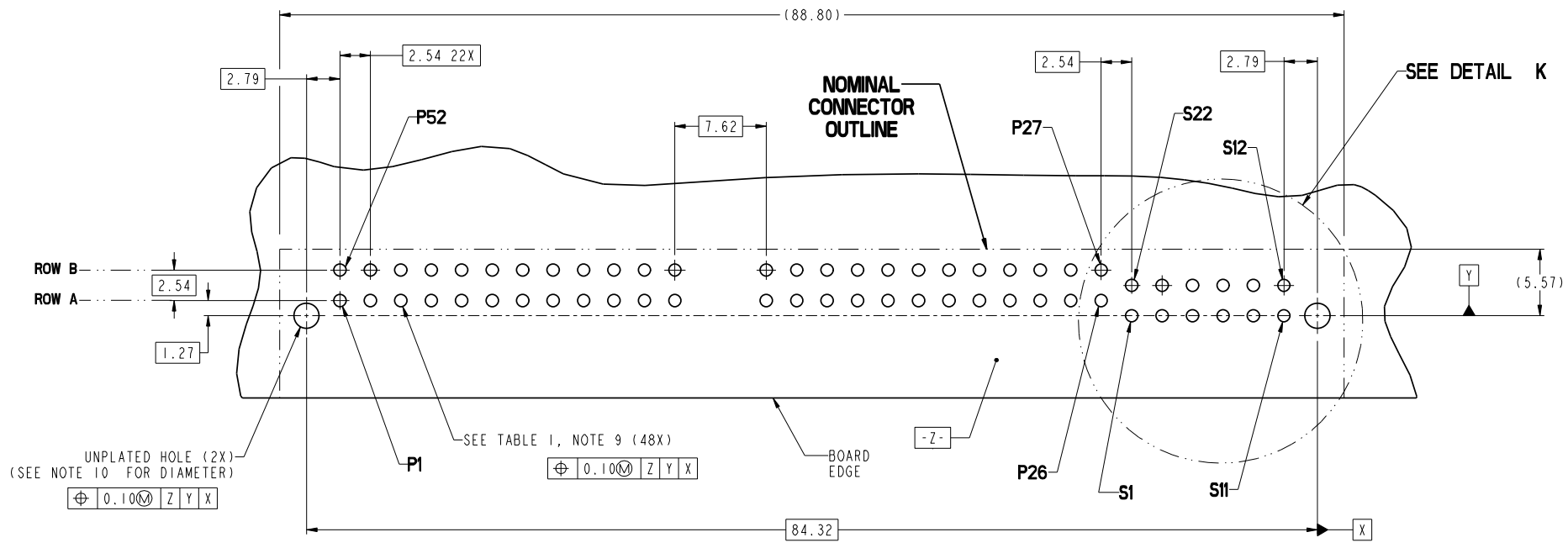
B

C

D

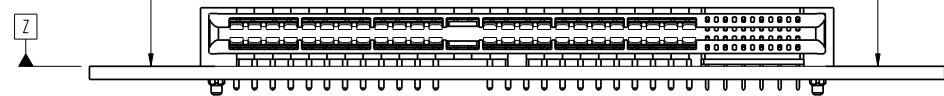
E

F



DETAIL K
SCALE 8:1

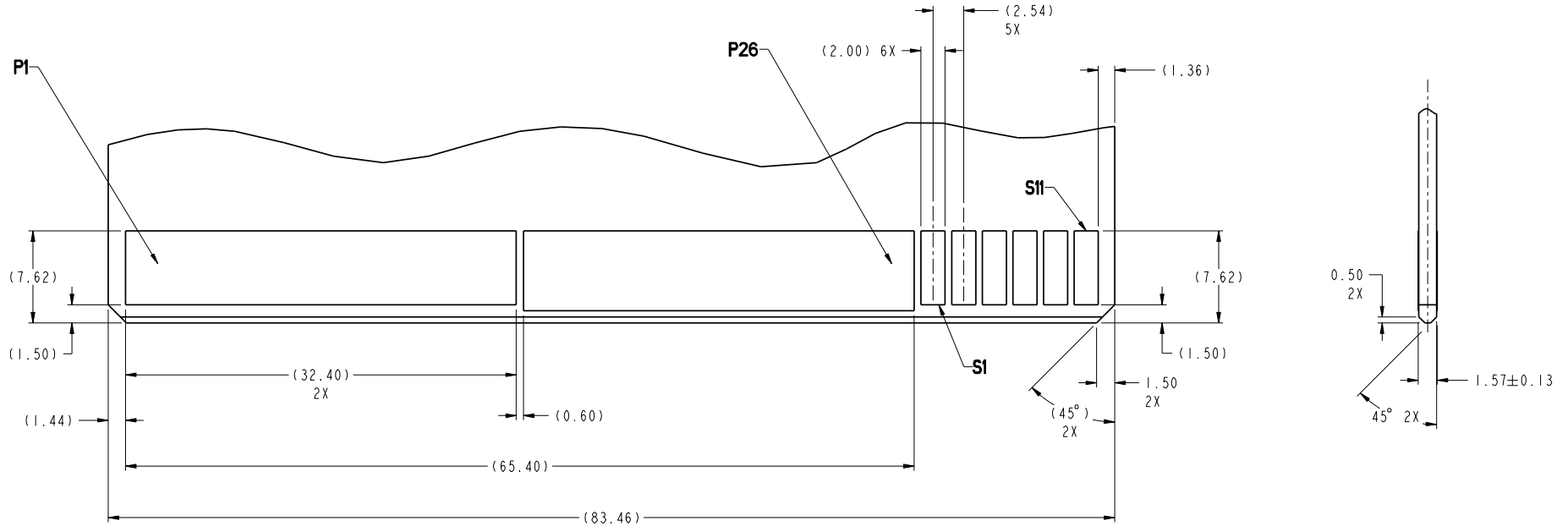
RECOMMENDED PCB LAYOUT
VIEWED FROM CONNECTOR SIDE



spec ref	-	dr	WL ZHANG	2011-07-21	projection	MM	size	A2	scale	4:1
tolerance std	ASME Y14.5	eng	WL ZHANG	2011-07-21	chr	JON QIN	2011-07-21	ocn no		
TOLERANCES UNLESS OTHERWISE SPECIFIED		appr	PM ZHENG	2011-07-22	product family	HPCE	rel level	Released		
surface	linear	0.X	±0.3		R/A RECT (52P-22S) HIGH POWER CARD EDGE		dwg no 10111743	rev A		
		0.XX	±0.10		www.fcicom	Product - Customer Drw	sheet 2 of 4			
	angular	0°	±2°							

Copyright FCI.

CONTACT TYPE	TOP LAYER DESCRIPTION	TABLE 1 (HPCE / SOLDER TAILS) PLATED THROUGH-HOLE REQUIREMENTS				
		DRILLED HOLE DIAMETER	COPPER THICKNESS	TIN-LEAD THICKNESS	TIN THICKNESS	FINISHED HOLE DIAMETER
POWER & SIGNAL	TIN-LEAD	1.10-1.16 (1.15 DRILL)	0.025 - 0.050	0.005 - 0.015	--	0.94 - 1.10
	IMMERSION TIN	1.10-1.16 (1.15 DRILL)	0.025 - 0.050	--	0.9 - 1.5um	0.94 - 1.10
	COPPER (SEE NOTE 8)	1.10-1.16 (1.15 DRILL)	0.025 - 0.050	--	--	0.94 - 1.10

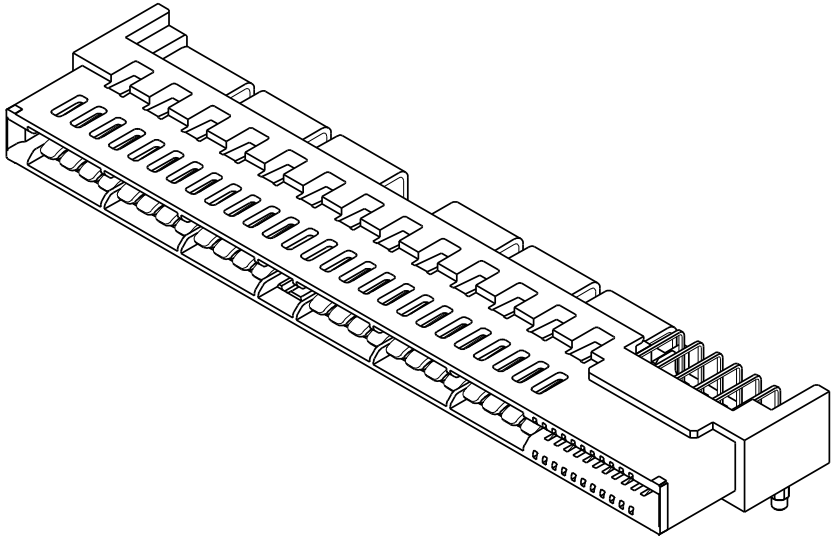


**REFERENCE
PANDEMONIUM POWER SUPPLY BOARD**

Copyright FCI

spec ref	-	dr	WL ZHANG	2011-07-21	projection	MM	size	A2	scale	4:1												
tolerance std	-	eng	WL ZHANG	2011-07-21			csn no HPCE	rel level Released	rev A	sheet 3 of 4												
ASME Y14.5	TOLERANCES UNLESS OTHERWISE SPECIFIED	chr	JON QIN	2011-07-21																		
surface	<table border="1"> <tr> <td>linear</td> <td>0.X</td> <td>±0.3</td> </tr> <tr> <td></td> <td>0.XX</td> <td>±0.10</td> </tr> <tr> <td></td> <td>0.XXX</td> <td>±0.050</td> </tr> <tr> <td>angular</td> <td>0°</td> <td>±2°</td> </tr> </table>	linear	0.X	±0.3		0.XX	±0.10		0.XXX	±0.050	angular	0°	±2°	appr	PM ZHENG	2011-07-22	product family	HPCE	title R/A RECT (52P-22S) HIGH POWER CARD EDGE	dwg no 10111743		
linear	0.X	±0.3																				
	0.XX	±0.10																				
	0.XXX	±0.050																				
angular	0°	±2°																				
ASME Y14.5		www.fcicom	cat. no.		Product - Customer Drw																	

HPCE PART NUMBER (TABLE 2)					
PART NUMBER	TAIL TYPE	HOLD-DOWN OPTION	ORIENTATION KEY	DIM "A" TAIL LENGTH ±0.25	DIM "B" MATING LENGTH
10111743-008LF	SOLDER TAIL	YES	NO	3.35	(4.58)
10111743-009LF	SOLDER TAIL	YES	NO	3.25	(3.88)



NOTES:

1. CONNECTOR MATERIALS:
 HOUSING: HIGH TEMPERATURE THERMAL PLASTIC, BLACK
 UL 94V-0 COMPLIANT
 CONTACTS: HIGH PERFORMANCE COPPER ALLOY.
2. CONTACT FINISH REF. GS-12-604 SECTION 5.2.
3. PRODUCT SPECIFICATION: GS-12-604.
4. APPLICATION SPECIFICATION: GS-20-128.
5. PRODUCT MARKING (FCI - PART NUMBNER & DATE CODE) ON HOUSING IN AREA SHOWN.
6. PACKAGING MEETS FCI SPECIFICATION GS-14-937.
7. HOUSING COMPONENT WILL WITHSTAND EXPOSURE TO 260°C PEAK TEMPERATURE FOR 60 SECONDS IN A CONVECTION, INFRA-RED, OR VAPOR PHASE REFLOW OVEN.
8. COPPER PLATING THICKNESS IN CENTER OF VIA-HOLE CAN BE NO MORE THAN 0.003 LESS THAN OTHER AREAS.
9. ALL HOLE SIZES ARE FINISHED HOLE SIZES.
10. MOUNTING HOLES ARE UNPLATED
 ∅ 2.10 +/- 0.1 FOR SOLDER TAILS

Copyright FCI.

spec ref	-	dr	WL ZHANG	2011-07-21	projection	MM	size	A2	scale	4:1
tolerance std	-	eng	WL ZHANG	2011-07-21			ecn no	HPCE	rel level	Released
ASME Y14.5	TOLERANCES UNLESS OTHERWISE SPECIFIED	chr	JON QIN	2011-07-21						
surface	✓	appr	PM ZHENG	2011-07-22			R/A RECT (52P-22S)		10111743	rev A
ASME Y14.5	linear	0.x	±0.3	0.xx	±0.10	0.xxx	±0.050	angular	0°	±2°
		www.fcicom		cat. no.	Product - Customer Drw		sheet 4 of 4			

X-ON Electronics

Largest Supplier of Electrical and Electronic Components

Click to view similar products for [Amphenol manufacturer](#):

Other Similar products are found below :

[PT01SE-16-8P\(476\)](#) [EN2997SE01006MN](#) [CTV06RW-11-2JB-LC](#) [JTPQ00RT-16-35P\(453\)](#) [MS3106B18-11PX](#) [GTS030-18-11S-116](#) [10-507142-843](#) [D38999/26JD19SALC](#) [D38999/26JD18PA](#) [JT07RT-22-35P](#) [D38999/26JD18SALC](#) [D38999/26JD18JA](#) [18-428](#) [JT07RT-22-35PC](#) [PT02E8-2S-072](#) [GTS06-14S-9SZ-025](#) [97-3102A22-10SW-958](#) [97-3102A22-10SX-958](#) [97-3102A22-10SY-958](#) [97-3102A22-5SW-959](#) [97-3102A22-5SX-959](#) [TVS06RF-17-35AD](#) [MS27468E25F43S](#) [97-3101A14S-9PX-959](#) [97-3101A14S-9PW-959](#) [JT07RT-8-35S](#) [MS27468E15F19PLC](#) [D38999/26JD35JA](#) [GTC030-28-21P-025-A31](#) [AIB2-22-14SC-072](#) [AIB2-22-22SC-RDS-072](#) [TVPS00RK-11-2AC](#) [AIB2-22-22PC-072](#) [100-007-213-002-001](#) [MS3108B28-15PY](#) [JT07RT-22-14PB-453](#) [GTS00AF28-7S](#) [2M801-010-01M16-5SA](#) [TV07DZ-23-151S-S1](#) [TV07DZ-23-151S-S1AD](#) [TVS06RF-21-79S\(LC\)](#) [TVS07RF-21-79S\(LC\)](#) [GTS00A-28-84S](#) [PT03SE-14-12PLC](#) [GTCL01-24-2SW-025-B30](#) [AIB30-14S-5SC-L](#) [AIB30-14S-5SXC-L](#) [97-3108A14S-5PX](#) [TVS07RF-19-11BB](#) [CTVS06RF-17-6BB](#)