

## LFM-101

Light weight illuminated magnifier

**LUXO**



While primarily intended for industrial uses, the LFM adapts equally well for domestic use.

The low heat output of the lamp and the versatility and robust construction of LFM-101 makes it a great tool at a very competitive cost. The magnifying head is made of ABS polymer, combining a light weight design with high impact strength. The 22W energy saving circular fluorescent lamp provides a high light-output with a minimum of heat. Standard version with 3 diopetre lens and table clamp. Additional lenses lenses available on request.

Colours: White or grey.

### **Shadow-free magnification**

The  $\varnothing 127$  mm glass lens is positioned in the middle of the circular tube, the ideal way of illuminating an object, virtually eliminating shadows. For additional magnification, secondary lenses can be fixed to LFM-101 in seconds.

### **Safety first!**

LFM-101 has several safety features. A transparent tube protection cover, made from rigid polycarbonate, is standard. A hinged lens cover is also standard. The cover provides dust protection, and also prevents the lens from inadvertently turning into a burning glass. It is removable when not required.

### **About magnification**

Follow this link to read more about the principles of magnification, and how a Luxo magnifier can make a difference for people in many different fields of life.

• [Luxo illuminated magnifiers](#)

# LFM-101

---

## TECHNICAL DESCRIPTION

---

---

### LIGHT SOURCE

---

Supplied with 1 x T9-C 22 W.

---

### DRIVER

---

Magnetic ballast

---

### BODY MATERIAL & COLOUR

---

Steel arm with plastic covers. Plastic shade. Colour: white or light grey.

---

### MOUNTING

---

Standard with table clamp (AH clamp). Other table clamps, integrated table mounts and trolley are available on request.

---

### OPTICS

---

Standard with 3 diopter glass lens. Lens diameter is 127 mm. For additional magnification a secondary lens, 4D, 6D or 10D can be attached to the magnifier.

---

### ARM TECHNOLOGY & MOVEMENT

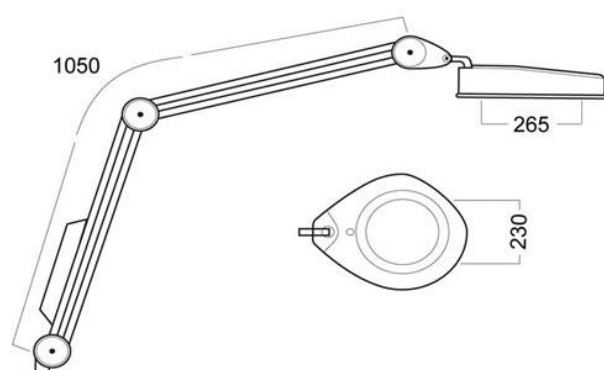
---

Parallel, three-pivot arm. Arm length is 105 cm.

---

## MEASUREMENT DRAWINGS

---



LFM-101

# LFM-101

## GALLERY

---



LFM-101



LFM-101



LFM-101



LFM-101

## **X-ON Electronics**

Largest Supplier of Electrical and Electronic Components

*Click to view similar products for [Glamox Luxo manufacturer:](#)*

Other Similar products are found below :

[SPD025980](#) [LFM LED G2 5 DIOPTER](#) [BRK002725](#) [BRK025140](#)