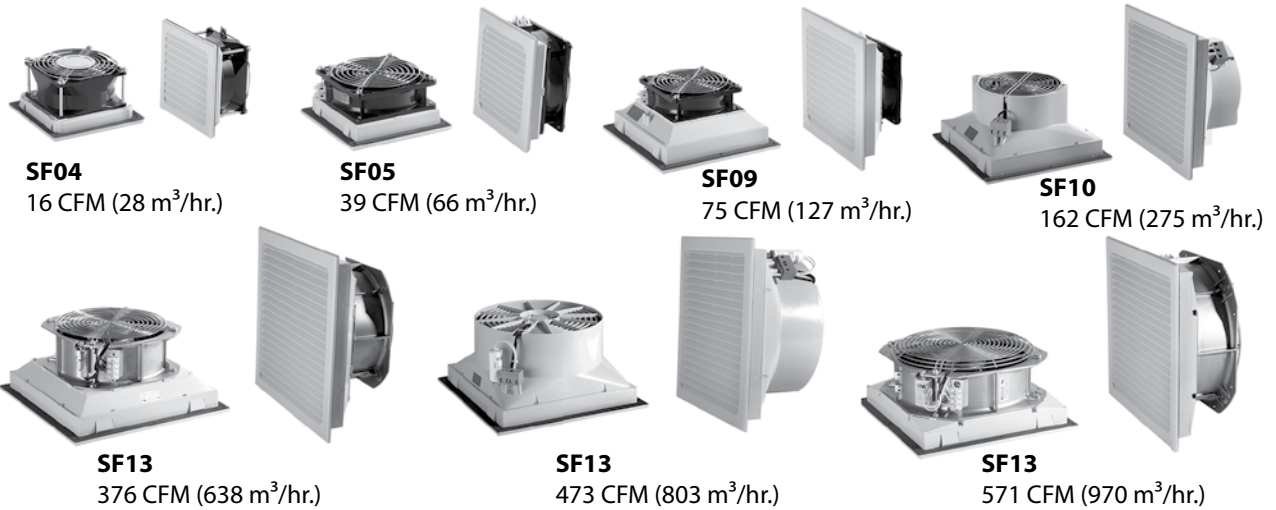


**SF SIDE-MOUNT**

**INDUSTRY STANDARDS**

UL/cUL recognized; File No. 235470

CE, CSA (entire fan assembly excluding VDC models)  
Type 12, IP54 standard  
Type 12, IP 55 optional

**APPLICATION**

- Industrial automation
- Automotive assembly
- Package handling equipment
- Food and beverage process controls
- Wind energy systems

**FEATURES**

- Click-fit design quickly installs into enclosure wall; no tools or screws required
- Simple snap-open grille for easy filter replacement
- Enclosure side wall mounting
- Reverse airflow option on SF13 models available to push/pull air through higher static pressure
- Standard foam-in-place gasket
- Similar cut-out sizes as other filter fan manufacturers
- Terminal wire connections
- Optional thermostat available to save energy and extend service life

**SPECIFICATIONS**

- Size range from 4 in. (102 mm) to 13 in. (325 mm)
- Free air flow from 16 CFM (28 m<sup>3</sup>/hr.) to 571 CFM (920 m<sup>3</sup>/hr.)
- Service life hours from 40000 to 70000 hours
- Operating temperature range from -4 F/-20 C to 149 F/65 C

**FINISH**

- RAL 7035 light-gray, UV-resistant plastic standard
- RAL 9011 black, UV-resistant plastic optional

**ACCESSORIES**

- Replacement filters
- Thermostat
- Rain shroud

**NOTES**

Visit [www.PentairProtect.com](http://www.PentairProtect.com) to download 2D and 3D CAD drawings into the overall design of your electronic system.

Performance Data **SF04 16 CFM (28 m<sup>3</sup>/hr.) Side-Mount Filter Fan**

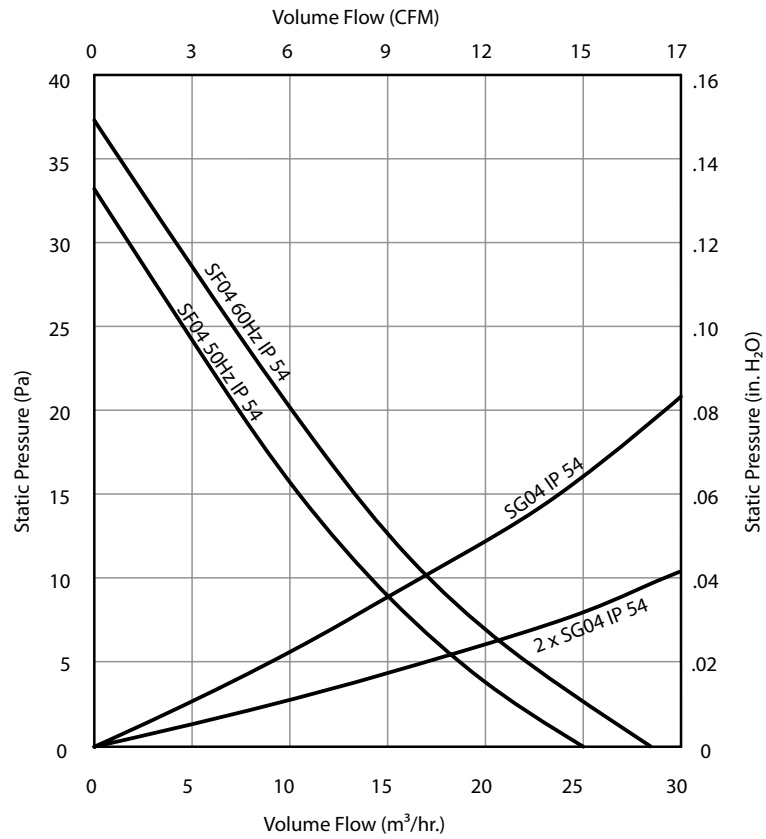
<b>ELECTRICAL DATA</b>				
<b>Rated Voltage</b>	<b>115</b>	<b>230</b>	<b>24</b>	<b>48</b>
Frequency (Hz)	50 / 60	50 / 60	—	—
Nominal Current Maximum (Amps)	1.40/1.20	0.70	0.10	0.054
Power Consumption Maximum (Watts)	12 / 11	12	2.2	2.6
Power Connection	Lead Wires			
<b>TYPE 12 / IP54 FILTER FANS</b>				
RAL 7035 Light Gray:				
Catalog Number	<b>SF0416414</b>	<b>SF0426414</b>	<b>SF0424414</b>	<b>SF0448414</b>
RAL 9011 Black:				
Catalog Number	<b>SF0416413</b>	<b>SF0426413</b>	<b>SF0424413</b>	<b>SF0448413</b>
Free Airflow (CFM / m <sup>3</sup> /hr.)	16 / 28	16 / 28	16 / 28	16 / 28
Airflow with 1 Exhaust Grille (CFM / m <sup>3</sup> /hr.)	10/17	10/17	10/17	10/17
Airflow with 2 Exhaust Grilles (CFM / m <sup>3</sup> /hr.)	12/21	12 / 21	12 / 21	12 / 21
<b>FILTER FAN UNIT CONSTRUCTION</b>				
Fan RPM	2700 / 3200	2700 / 3200	3300	3300
Sound Pressure (dBA)	30	30	36	36
Operating Temperature Range:				
Maximum (°F / °C)	131 / 55	131 / 55	149 / 65	149 / 65
Minimum (°F / °C)	14 / -10	14 / -10	-4 / -20	-4 / -20
Service Life (hours)	37,500	37,500	70,000	70,000
Unit Dimensions - H x W x D (in. / mm)	4.13 x 4.13 x 2.17 / 105 x 105 x 55			
Cutout Dimensions - H x W (in. / mm)	3.62 x 3.62 / 92 x 92			
Weight (lb. / kg)	.73 / .33			
<b>TYPE 12 / IP54 EXHAUST GRILLES</b>				
RAL 7035 Light Gray:				
Catalog Number	SG0400404			
RAL 9011 Black:				
Catalog Number	SG0400403			
<b>ACCESSORIES</b>				
Replacement Filters:				
Type 12 / IP54 Catalog Number	10100059H			
Thermostat Catalog Number	TWR60			

Above airflow rates at 60 Hz; see performance curves for airflow at 50 Hz and more details.

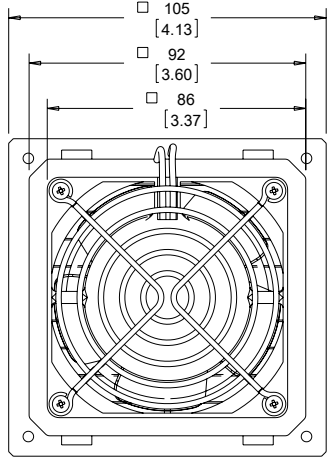
Unit depth is from the back edge of the grille to the back of the fan.

Exhaust Grilles sold separately.

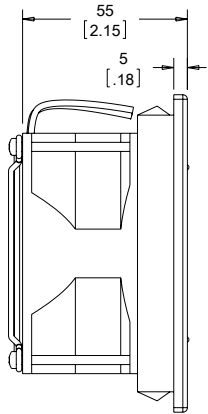
SF04 16 CFM (28 m<sup>3</sup>/hr.) Side-Mount Filter Fan  
Performance Curve



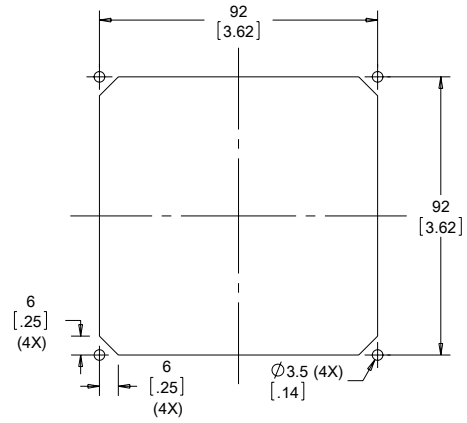
Filter Fan, SF04 16 CFM (28m<sup>3</sup>/hr.)



BACK VIEW

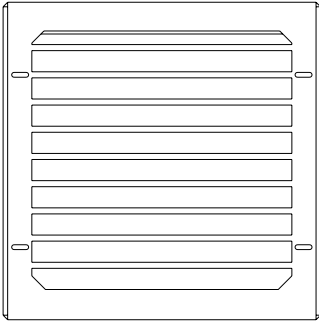


SIDE VIEW

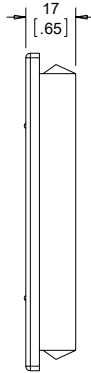


CUTOUT DIMENSIONS

EXHAUST GRILLE



Order Exhaust Grille Kits separately



89051142

Visit [www.PentairProtect.com](http://www.PentairProtect.com) to download 2D and 3D CAD drawings into the overall design of your electronic system.

**Performance Data SF05 39 CFM (66 m<sup>3</sup>/hr.) Side-Mount Filter Fan**

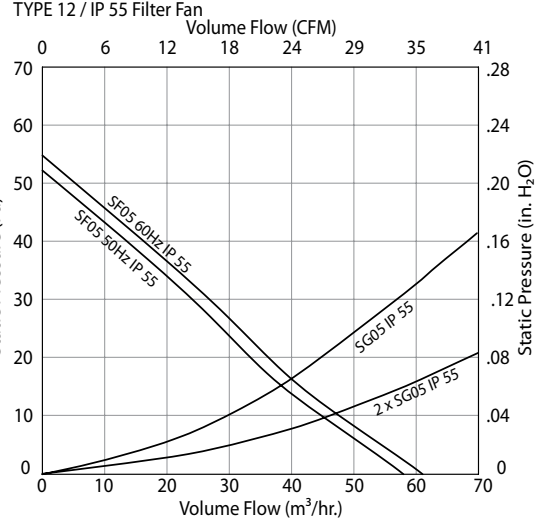
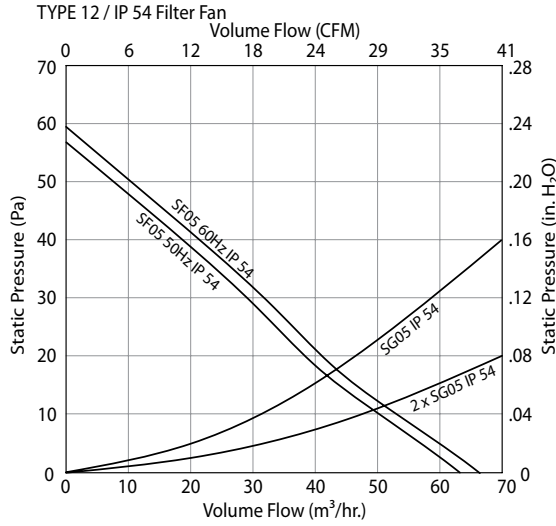
<b>ELECTRICAL DATA</b>				
<b>Rated Voltage</b>	<b>115</b>	<b>230</b>	<b>24</b>	<b>48</b>
Frequency (Hz)	50 / 60	50 / 60	—	—
Nominal Current Maximum (Amps)	0.23	0.11	0.17	0.08
Power Consumption Maximum (Watts)	20	20	4.1	3.5
Power Connection	Terminal Block			
<b>TYPE 12 / IP54 FILTER FANS</b> RAL 7035 Light Gray:				
RAL 7035 Light Gray:				
Catalog Number	<b>SF0516414</b>	<b>SF0526414</b>	<b>SF0524414</b>	<b>SF0548414</b>
RAL 9011 Black:				
Catalog Number	<b>SF0516413</b>	<b>SF0526413</b>	<b>SF0524413</b>	<b>SF0548413</b>
Free Airflow (CFM / m <sup>3</sup> /hr.)	39 / 66	39 / 66	39 / 66	39 / 66
Airflow with 1 Exhaust Grille (CFM / m <sup>3</sup> /hr.)	26 / 44	26 / 44	26 / 44	26 / 44
Airflow with 2 Exhaust Grilles (CFM / m <sup>3</sup> /hr.)	30 / 51	30 / 51	30 / 51	30 / 51
<b>TYPE 12 / IP55 FILTER FANS</b>				
RAL 7035 Light Gray:				
Catalog Number	<b>SF0516514</b>	<b>SF0526514</b>	<b>SF0524514</b>	<b>SF0548514</b>
RAL 9011 Black:				
Catalog Number	<b>SF0516513</b>	<b>SF0526513</b>	<b>SF0524513</b>	<b>SF0548513</b>
Free Airflow (CFM / m <sup>3</sup> /hr.)	36 / 61	36 / 61	36 / 61	36 / 61
Airflow with 1 Exhaust Grille (CFM / m <sup>3</sup> /hr.)	24 / 40	24 / 40	24 / 40	24 / 40
Airflow with 2 Exhaust Grilles (CFM / m <sup>3</sup> /hr.)	28 / 47	28 / 47	28 / 47	28 / 47
<b>FILTER FAN UNIT CONSTRUCTION</b>				
Fan RPM	2650 / 3100	2650 / 3100	3050	3050
Sound Pressure (dBA)	42	42	42	42
Operating Temperature Range:				
Maximum (°F / °C)	131 / 55	131 / 55	149 / 65	149 / 65
Minimum (°F / °C)	14 / -10	14 / -10	-4 / -20	-4 / -20
Service Life (hours)	27,500	27,500	50,000	50,000
Unit Dimensions - H x W x D (in. / mm)		5.83 x 5.83 x 2.56 / 148 x 148 x 65		
Cutout Dimensions - H x W (in. / mm)		4.92 x 4.92 / 125 x 125		
Weight (lb. / kg)			1.19 / .54	
<b>TYPE 12 / IP54 EXHAUST GRILLES</b>				
RAL 7035 Light Gray:				
Catalog Number			SG0500404	
RAL 9011 Black:				
Catalog Number			SG0500403	
<b>TYPE 12 / IP55 EXHAUST GRILLES</b>				
RAL 7035 Light Gray:				
Catalog Number			SG0500504	
RAL 9011 Black:				
Catalog Number			SG0500503	
<b>ACCESSORIES</b>				
Replacement Filters:				
Type 12 / IP54 Catalog Number			10100060	
Type 12 / IP55 Catalog Number			10100064H	
Thermostat Catalog Number			TWR60	
Shroud Catalog Number			SH05GS35001, SH05GS61001, SH05SS04001	

Above airflow rates at 60 Hz; see performance curves for airflow at 50 Hz and more details.

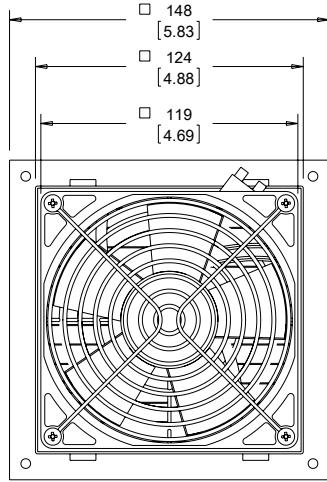
Unit depth is from the back edge of the grille to the back of the fan.

Exhaust Grilles sold separately.

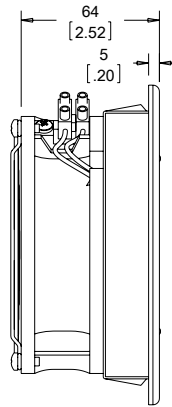
SF05 39 CFM (66 m<sup>3</sup>/hr.) Side-Mount Filter Fan Performance Curve



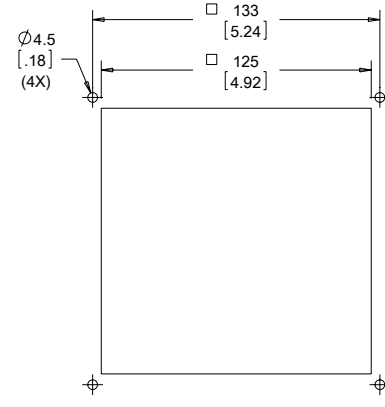
FILTER FAN



BACK VIEW

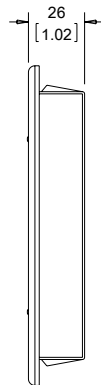
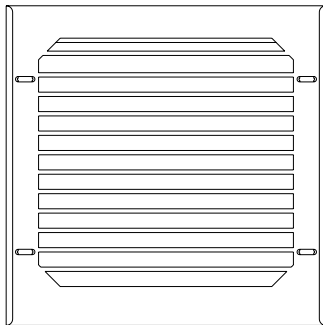


SIDE VIEW



CUTOUT

EXHAUST GRILLE



89051216

Visit [www.PentairProtect.com](http://www.PentairProtect.com) to download 2D and 3D CAD drawings into the overall design of your electronic system.

**Performance Data SF09 75 CFM (127 m<sup>3</sup>/hr.) Side-Mount Filter Fan**

<b>ELECTRICAL DATA</b>				
<b>Rated Voltage</b>	<b>115</b>	<b>230</b>	<b>24</b>	<b>48</b>
Frequency (Hz)	50 / 60	50 / 60	—	—
Nominal Current Maximum (Amps)	0.23	0.11	0.17	0.08
Power Consumption Maximum (Watts)	20	20	4.1	3.5
Power Connection	Terminal Block			
<b>TYPE 12 / IP54 FILTER FANS</b>				
RAL 7035 Light Gray:				
Catalog Number	<b>SF0916414</b>	<b>SF0926414</b>	<b>SF0924414</b>	<b>SF0948414</b>
RAL 9011 Black:				
Catalog Number	<b>SF0916413</b>	<b>SF0926413</b>	<b>SF0924413</b>	<b>SF0948413</b>
Free Airflow (CFM / m <sup>3</sup> /hr.)	75 / 127	75 / 127	75 / 127	75 / 127
Airflow with 1 Exhaust Grille (CFM / m <sup>3</sup> /hr.)	59 / 100	59 / 100	59 / 100	59 / 100
Airflow with 2 Exhaust Grilles (CFM / m <sup>3</sup> /hr.)	67 / 114	67 / 114	67 / 114	67 / 114
<b>TYPE 12 / IP55 FILTER FANS</b>				
RAL 7035 Light Gray:				
Catalog Number	<b>SF0916514</b>	<b>SF0926514</b>	<b>SF0924514</b>	<b>SF0948514</b>
RAL 9011 Black:				
Catalog Number	<b>SF0916513</b>	<b>SF0926513</b>	<b>SF0924513</b>	<b>SF0948513</b>
Free Airflow (CFM / m <sup>3</sup> /hr.)	70 / 118	70 / 118	70 / 118	70 / 118
Airflow with 1 Exhaust Grille (CFM / m <sup>3</sup> /hr.)	54 / 92	54 / 92	54 / 92	54 / 92
Airflow with 2 Exhaust Grilles (CFM / m <sup>3</sup> /hr.)	62 / 106	62 / 106	62 / 106	62 / 106
<b>FILTER FAN UNIT CONSTRUCTION</b>				
Fan RPM	2650 / 3100	2650 / 3100	3050	3050
Sound Pressure (dBA)	51	51	51	51
Operating Temperature Range:				
Maximum (°F / °C)	131 / 55	131 / 55	149 / 65	149 / 65
Minimum (°F / °C)	14 / -10	14 / -10	-4 / -20	-4 / -20
Service Life (hours)	27,500	27,500	50,000	50,000
Unit Dimensions - H x W x D (in. / mm)	8.03 x 8.03 x 3.54 / 204 x 204 x 90			
Cutout Dimensions - H x W (in. / mm)	6.97 x 6.97 / 177 x 177			
Weight (lb. / kg)	1.74 / .79			
<b>TYPE 12 / IP54 EXHAUST GRILLES</b>				
RAL 7035 Light Gray:				
Catalog Number	SG0900404			
RAL 9011 Black:				
Catalog Number	SG0900403			
<b>TYPE 12 / IP55 EXHAUST GRILLES</b>				
RAL 7035 Light Gray:				
Catalog Number	SG0900504			
RAL 9011 Black:				
Catalog Number	SG0900503			
<b>ACCESSORIES</b>				
Replacement Filters:				
Type 12 / IP54 Catalog Number	10100061			
Type 12 / IP55 Catalog Number	10100065H			
Thermostat Catalog Number	TWR60			
Shroud Catalog Number	SH09GS35001, SH09GS61001, SH09SS04001			

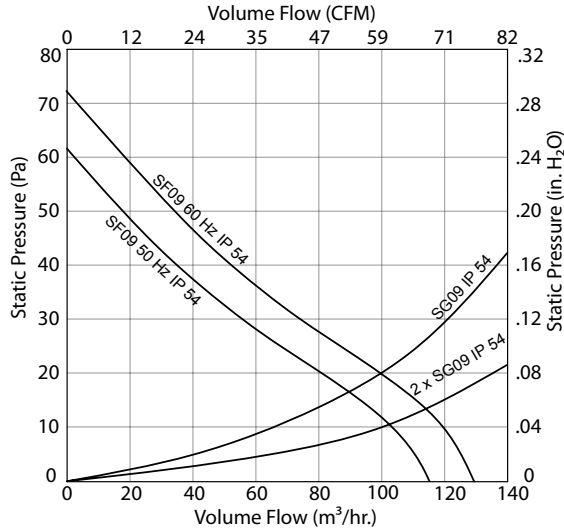
Above airflow rates at 60 Hz; see performance curves for airflow at 50 Hz and more details.

Unit depth is from the back edge of the grille to the back of the fan.

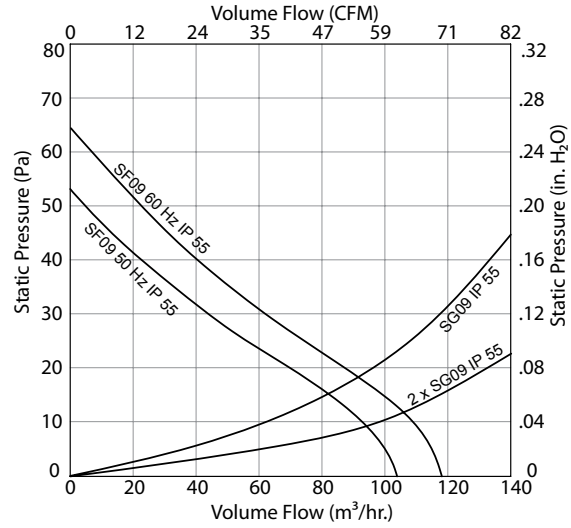
Exhaust Grilles sold separately.

SF09 75 CFM (127 m<sup>3</sup>/hr.) Side-Mount Filter Fan Performance Curve

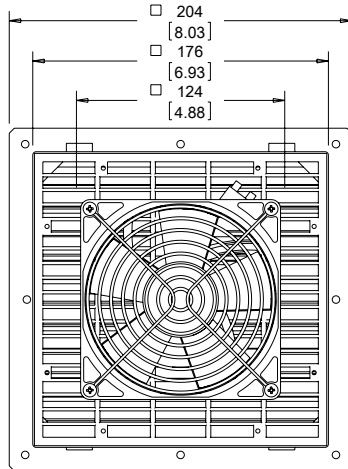
TYPE 12 / IP 54 Filter Fan



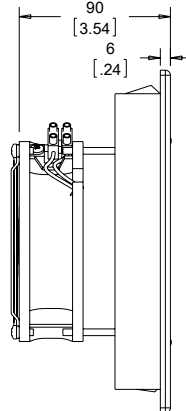
TYPE 12 / IP 55 Filter Fan



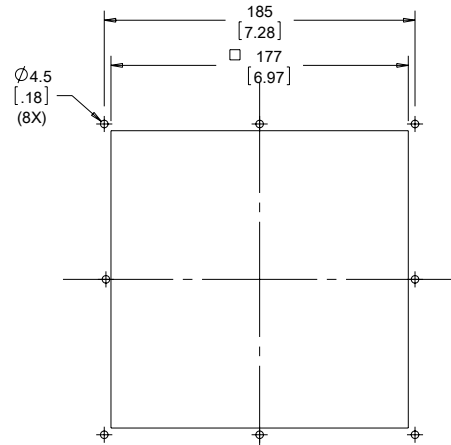
Filter Fan SF09 75 CFM (127 m<sup>3</sup>/hr.)



BACK VIEW

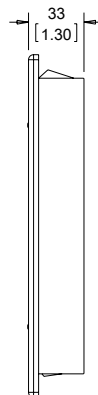
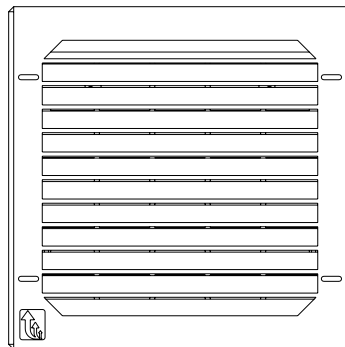


SIDE VIEW



CUTOUT DIMENSIONS

EXHAUST GRILLE



Order Exhaust Grille Kits separately

89051217

Visit [www.PentairProtect.com](http://www.PentairProtect.com) to download 2D and 3D CAD drawings into the overall design of your electronic system.



**Performance Data SF10 162 CFM (275 m<sup>3</sup>/Hr.) Side-Mount Filter Fan**

<b>ELECTRICAL DATA</b>				
<b>Rated Voltage</b>	<b>115</b>	<b>230</b>	<b>24</b>	<b>48</b>
Frequency (Hz)	50 / 60	50 / 60	—	—
Nominal Current Maximum (Amps)	.53 / .50	.30 / .25	0.66	0.33
Power Consumption Maximum (Watts)	43 / 40	45 / 39	16	16
Power Connection	Terminal Block			
<b>TYPE 12 / IP54 FILTER FANS</b>				
RAL 7035 Light Gray:				
Catalog Number	<b>SF1016414</b>	<b>SF1026414</b>	<b>SF1024414</b>	<b>SF1048414</b>
RAL 9011 Black:				
Catalog Number	<b>SF1016413</b>	<b>SF1026413</b>	<b>SF1024413</b>	<b>SF1048413</b>
Free Airflow (CFM / m <sup>3</sup> /hr.)	162 / 275	162 / 275	162 / 275	162 / 275
Airflow with 1 Exhaust Grille (CFM / m <sup>3</sup> /hr.)	133 / 226	133 / 226	133 / 226	133 / 226
Airflow with 2 Exhaust Grilles (CFM / m <sup>3</sup> /hr.)	149 / 253	149 / 253	149 / 253	149 / 253
<b>TYPE 12 / IP55 FILTER FANS</b>				
RAL 7035 Light Gray:				
Catalog Number	<b>SF1016514</b>	<b>SF1026514</b>	<b>SF1024514</b>	<b>SF1048514</b>
RAL 9011 Black:				
Catalog Number	<b>SF1016513</b>	<b>SF1026513</b>	<b>SF1024513</b>	<b>SF1048513</b>
Free Airflow (CFM / m <sup>3</sup> /hr.)	149 / 253	149 / 253	149 / 253	149 / 253
Airflow with 1 Exhaust Grille (CFM / m <sup>3</sup> /hr.)	122 / 207	122 / 207	122 / 207	122 / 207
Airflow with 2 Exhaust Grilles (CFM / m <sup>3</sup> /hr.)	137 / 233	137 / 233	137 / 233	137 / 233
<b>FILTER FAN UNIT CONSTRUCTION</b>				
Fan RPM	2760 / 3030	2760 / 3030	2950	2950
Sound Pressure (dBA)	52	52	52	52
Operating Temperature Range:				
Maximum (°F / °C)	131 / 55	131 / 55	131 / 55	131 / 55
Minimum (°F / °C)	14 / -10	14 / -10	14 / -10	14 / -10
Service Life (hours)	40,000	40,000	40,000	40,000
Unit Dimensions - H x W x D (in. / mm)	9.84 x 9.84 x 4.72 / 250 x 250 x 120			
Cutout Dimensions - H x W (in. / mm)	8.78 x 8.78 / 223 x 223			
Weight (lb. / kg)	4.19 / 1.9			
<b>TYPE 12 / IP54 EXHAUST GRILLES</b>				
RAL 7035 Light Gray:				
Catalog Number	SG1000404			
RAL 9011 Black:				
Catalog Number	SG1000403			
<b>TYPE 12 / IP55 EXHAUST GRILLES</b>				
RAL 7035 Light Gray:				
Catalog Number	SG1000504			
RAL 9011 Black:				
Catalog Number	SG1000503			
<b>ACCESSORIES</b>				
Replacement Filters:				
Type 12 / IP54 Catalog Number	10100062			
Type 12 / IP55 Catalog Number	10100066H			
Thermostat Catalog Number	TWR60			
Shroud Catalog Number	SH10GS35001, SH10GS61001, SH10SS04001			

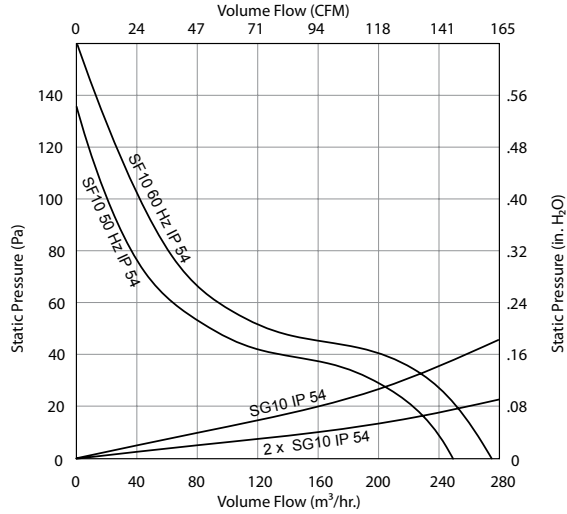
Above airflow rates at 60 Hz; see performance curves for airflow at 50 Hz and more details.

Unit depth is from the back edge of the grille to the back of the fan.

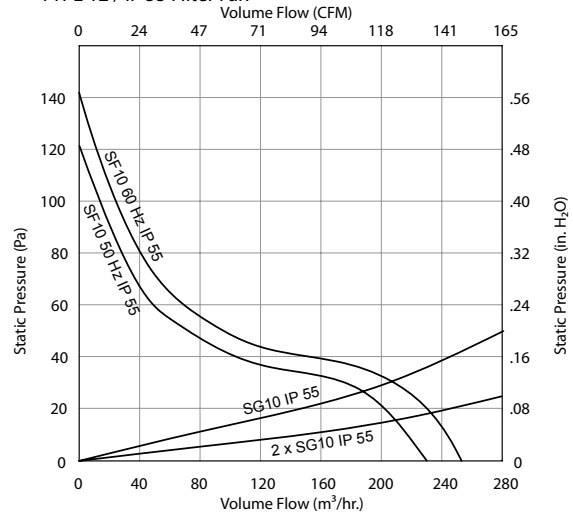
Exhaust Grilles sold separately.

SF10 162 CFM (275 m<sup>3</sup>/hr.) Side-Mount Filter Fan Performance Curve

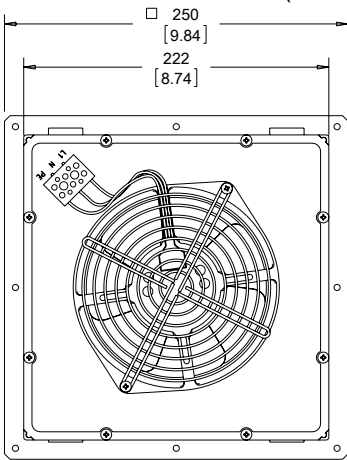
TYPE 12 / IP 54 Filter Fan



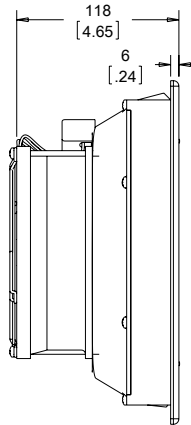
TYPE 12 / IP 55 Filter Fan



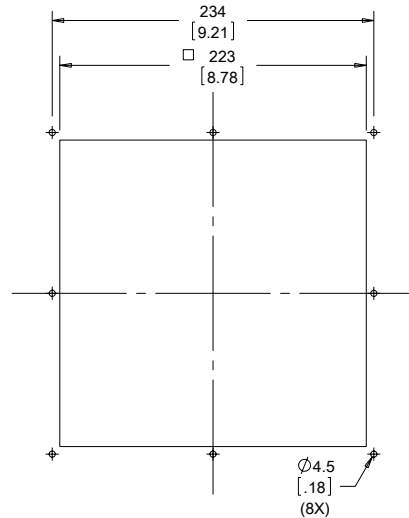
Filter Fan SF10 162 CFM (275 m<sup>3</sup>/hr.)



BACK VIEW

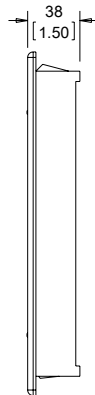
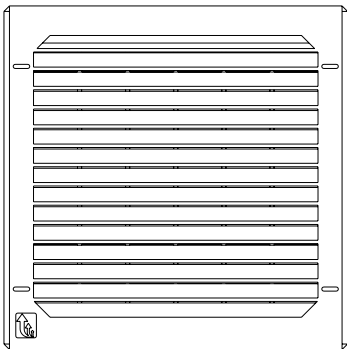


SIDE VIEW



CUTOUT DIMENSIONS

EXHAUST GRILLE



Order Exhaust Grille Kit separately

89051219

Visit [www.PentairProtect.com](http://www.PentairProtect.com) to download 2D and 3D CAD drawings into the overall design of your electronic system.

**Performance Data SF13 376 CFM (638 m<sup>3</sup>/hr.) Side-Mount Filter Fan - Standard and Reverse**

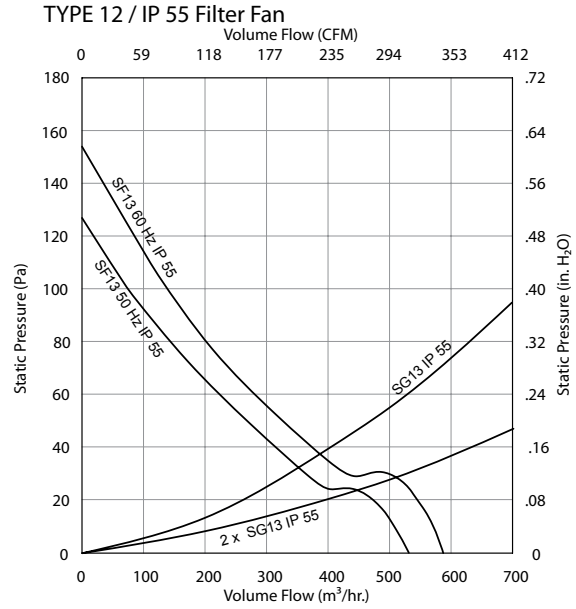
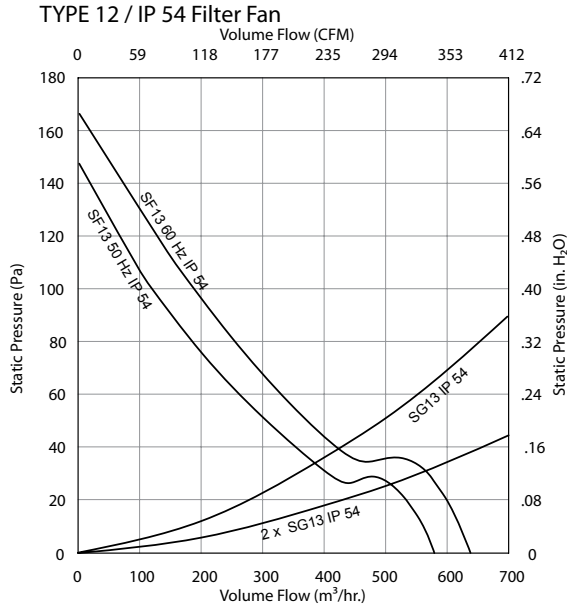
<b>ELECTRICAL DATA</b>						
<b>Rated Voltage</b>	<b>115</b>	<b>230</b>	<b>24</b>	<b>48</b>	<b>115 Rvrs</b>	<b>230 Rvrs</b>
Frequency (Hz)	50 / 60	50 / 60	—	—	50 / 60	50 / 60
Nominal Current Maximum (Amps)	.58 / .70	.29 / .35	2.60	1.30	.58 / .70	.29 / .35
Power Consumption Maximum (Watts)	64 / 80	64 / 80	55	55	64 / 80	64 / 80
Power Connection	Terminal Block					
<b>TYPE 12 / IP54 FILTER FANS</b>						
RAL 7035 Light Gray:						
Catalog Number	<b>SF1316414</b>	<b>SF1326414</b>	<b>SF1324414</b>	<b>SF1348414</b>	<b>SF1316414R</b>	<b>SF1326414R</b>
RAL 9011 Black:						
Catalog Number	<b>SF1316413</b>	<b>SF1326413</b>	<b>SF1324413</b>	<b>SF1348413</b>	<b>SF1316413R</b>	<b>SF1326413R</b>
Free Airflow (CFM / m <sup>3</sup> /hr.)	375 / 638	375 / 638	375 / 638	375 / 638	375 / 638	375 / 638
Airflow with 1 Exhaust Grille (CFM / m <sup>3</sup> /hr.)	249 / 423	249 / 423	249 / 423	249 / 423	249 / 423	249 / 423
Airflow with 2 Exhaust Grilles (CFM / m <sup>3</sup> /hr.)	333 / 565	333 / 565	333 / 565	333 / 565	333 / 565	333 / 565
<b>TYPE 12 / IP55 FILTER FANS</b>						
RAL 7035 Light Gray:						
Catalog Number	<b>SF1316514</b>	<b>SF1326514</b>	<b>SF1324514</b>	<b>SF1348514</b>	—	—
RAL 9011 Black:						
Catalog Number	<b>SF1316513</b>	<b>SF1326513</b>	<b>SF1324513</b>	<b>SF1348513</b>	—	—
Free Airflow (CFM / m <sup>3</sup> /hr.)	346 / 587	346 / 587	346 / 587	346 / 587	—	—
Airflow with 1 Exhaust Grille (CFM / m <sup>3</sup> /hr.)	228 / 387	228 / 387	228 / 387	228 / 387	—	—
Airflow with 2 Exhaust Grilles (CFM / m <sup>3</sup> /hr.)	301 / 511	301 / 511	301 / 511	301 / 511	—	—
<b>FILTER FAN UNIT CONSTRUCTION</b>						
Fan RPM	2550 / 2800	2550 / 2800	2950	2950	2550 / 2800	2550 / 2800
Sound Pressure (dBA)	60	60	60	60	60	60
Operating Temperature Range:						
Maximum (°F / °C)	131 / 55	131 / 55	140 / 60	140 / 60	131 / 55	131 / 55
Minimum (°F / °C)	14 / -10	14 / -10	-13 / -25	-13 / -25	14 / -10	14 / -10
Service Life (hours)	40,000	40,000	40,000	40,000	40,000	40,000
Unit Dimensions - H x W x D (in. / mm)	12.72 x 12.72 x 5.83 / 323 x 323 x 148					
Cutout Dimensions - H x W (in. / mm)	11.5 x 11.5 / 292 x 292					
Weight (lb. / kg)	7.5 / 3.4					
<b>TYPE 12 / IP54 EXHAUST GRILLES</b>						
RAL 7035 Light Gray:						
Catalog Number	SG1300404					
RAL 9011 Black:						
Catalog Number	SG1300403					
<b>TYPE 12 / IP55 EXHAUST GRILLES</b>						
RAL 7035 Light Gray:						
Catalog Number	SG1300504					
RAL 9011 Black:						
Catalog Number	SG1300503					
<b>ACCESSORIES</b>						
Replacement Filters:						
Type 12 / IP54 Catalog Number	10100063					
Type 12 / IP55 Catalog Number	10100067H					
Thermostat Catalog Number	TWR60					
Shroud Catalog Number	SH13GS35001, SH13GS61001, SH13SS04001					

Above airflow rates at 60 Hz; see performance curves for airflow at 50 Hz and more details.

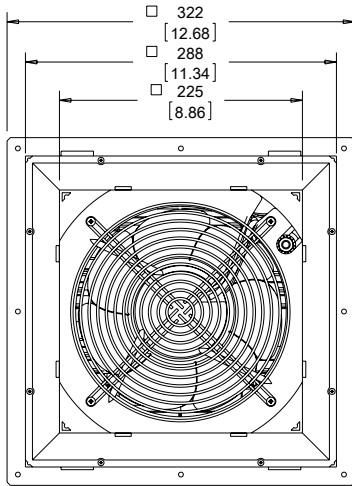
Unit depth is from the back edge of the grille to the back of the fan.

Exhaust Grilles sold separately.

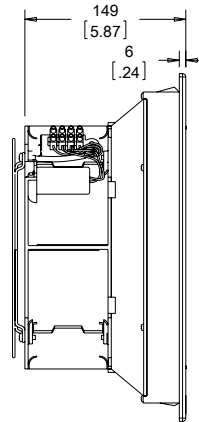
SF13 376 CFM (638 m<sup>3</sup>/hr.) Side-Mount Filter Fan Performance Curve



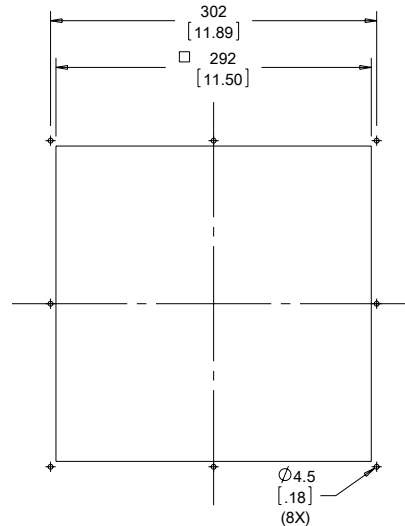
Filter Fan SF13 376 CFM (638 m<sup>3</sup>/hr.)



BACK VIEW

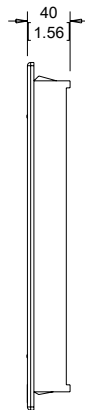
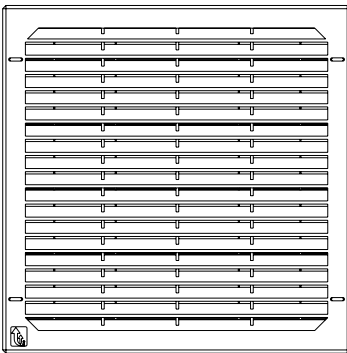


SIDE VIEW



CUTOUT DIMENSIONS

EXHAUST GRILLE



89051221

Order Exhaust Grille Kit separately

Visit [www.PentairProtect.com](http://www.PentairProtect.com) to download 2D and 3D CAD drawings into the overall design of your electronic system.

**Performance Data SF13 473 CFM (803 m<sup>3</sup>/hr.) Side-Mount Filter Fan - Standard**

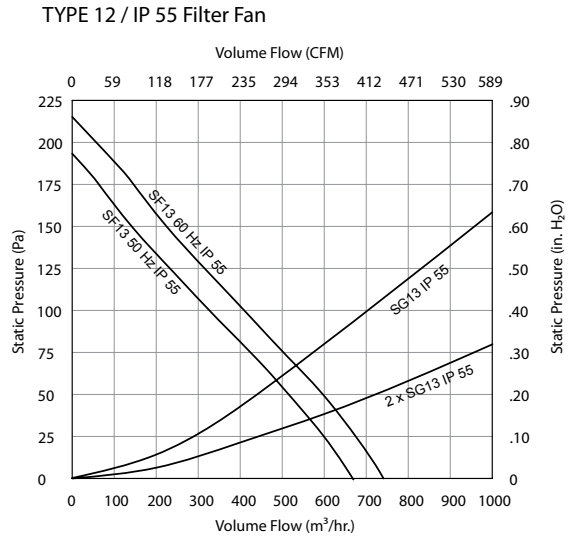
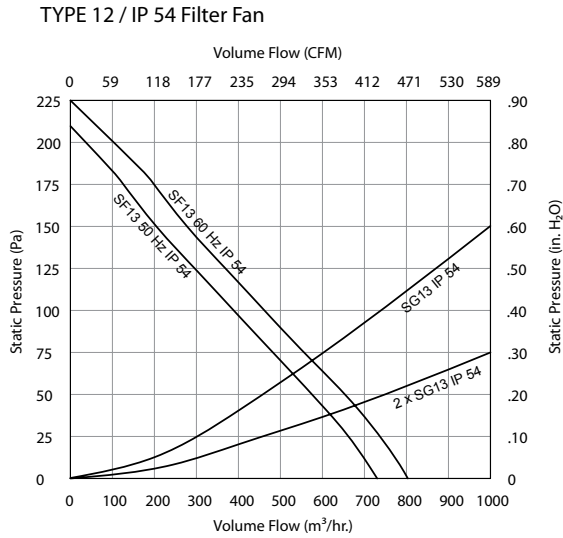
<b>ELECTRICAL DATA</b>			
<b>Rated Voltage</b>	<b>115</b>	<b>230</b>	<b>400</b>
Frequency (Hz)	50 / 60	50 / 60	50 / 60
Nominal Current Maximum (Amps)	1.02 / 1.4	.51 / .74	.22 / .26
Power Consumption Maximum (Watts)	115 / 166	115 / 175	110 / 150
Power Connection	Terminal Block		
<b>TYPE 12 / IP54 FILTER FANS</b>			
RAL 7035 Light Gray:			
Catalog Number	<b>SF1316424</b>	<b>SF1326424</b>	<b>SF1340424</b>
RAL 9011 Black:			
Catalog Number	<b>SF1316423</b>	<b>SF1326423</b>	<b>SF1340423</b>
Free Airflow (CFM / m <sup>3</sup> /hr.)	473 / 803	473 / 803	473 / 803
Airflow with 1 Exhaust Grille (CFM / m <sup>3</sup> /hr.)	343 / 583	343 / 583	343 / 583
Airflow with 2 Exhaust Grilles (CFM / m <sup>3</sup> /hr.)	399 / 677	399 / 677	399 / 677
<b>TYPE 12 / IP55 FILTER FANS</b>			
RAL 7035 Light Gray:			
Catalog Number	<b>SF1316524</b>	<b>SF1326524</b>	<b>SF1340524</b>
RAL 9011 Black:			
Catalog Number	<b>SF1316523</b>	<b>SF1326523</b>	<b>SF1340523</b>
Free Airflow (CFM / m <sup>3</sup> /hr.)	436 / 740	436 / 740	436 / 740
Airflow with 1 Exhaust Grille (CFM / m <sup>3</sup> /hr.)	314 / 533	314 / 533	314 / 533
Airflow with 2 Exhaust Grilles (CFM / m <sup>3</sup> /hr.)	369 / 627	369 / 627	369 / 627
<b>FILTER FAN UNIT CONSTRUCTION</b>			
Fan RPM	2450 / 2650	2550 / 2750	2650 / 2900
Sound Pressure (dBA)	70	70	70
Operating Temperature Range:			
Maximum (°F / °C)	131 / 55	131 / 55	131 / 55
Minimum (°F / °C)	14 / -10	14 / -10	14 / -10
Service Life (hours)	40,000	40,000	40,000
Unit Dimensions - H x W x D (in. / mm)	12.72 x 12.72 x 6.38 / 323 x 323 x 162		
Cutout Dimensions - H x W (in. / mm)	11.50 x 11.50 / 292 x 292		
Weight (lb. / kg)	7.72 / 3.5		
<b>TYPE 12 / IP54 EXHAUST GRILLES</b>			
RAL 7035 Light Gray:			
Catalog Number	SG1300404		
RAL 9011 Black:			
Catalog Number	SG1300403		
<b>TYPE 12 / IP55 EXHAUST GRILLES</b>			
RAL 7035 Light Gray:			
Catalog Number	SG1300504		
RAL 9011 Black:			
Catalog Number	SG1300503		
<b>ACCESSORIES</b>			
Replacement Filters:			
Type 12 / IP54 Catalog Number	10100063		
Type 12 / IP55 Catalog Number	10100067H		
Thermostat Catalog Number	TWR60		
Shroud Catalog Number	SH13GS35001, SH13GS61001, SH13SS04001		

Above airflow rates at 60 Hz; see performance curves for airflow at 50 Hz and more details.

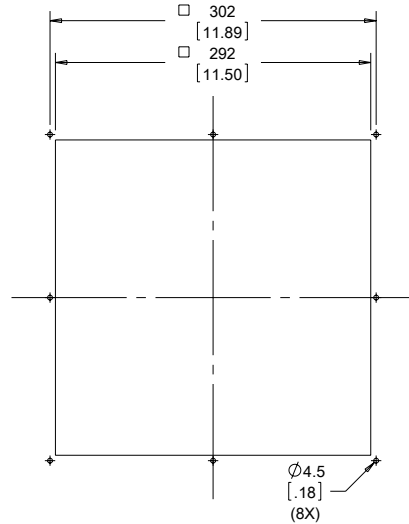
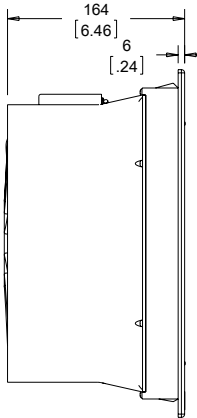
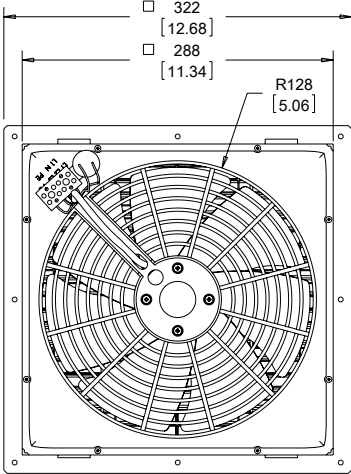
Unit depth is from the back edge of the grille to the back of the fan.

Exhaust Grilles sold separately.

SF13 473 CFM (803 m<sup>3</sup>/hr.) Side-Mount Filter Fan Performance Curve



Filter Fan SF13 473 CFM (803 m<sup>3</sup>/hr.)

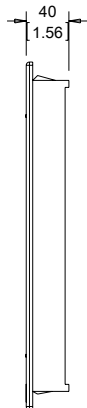
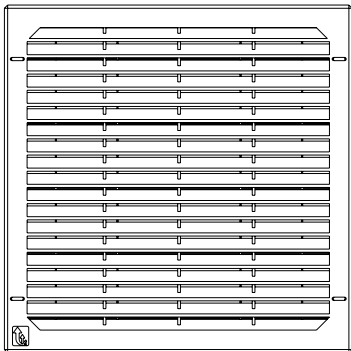


BACK VIEW

SIDE VIEW

CUTOUT DIMENSIONS

EXHAUST GRILLE



89051223

Order Exhaust Grille Kit separately

Visit [www.PentairProtect.com](http://www.PentairProtect.com) to download 2D and 3D CAD drawings into the overall design of your electronic system.

**Performance Data SF13 473 CFM (803 m<sup>3</sup>/hr.) Side-Mount Filter Fan - Reverse**

<b>ELECTRICAL DATA</b>			
<b>Rated Voltage</b>	<b>115 Rvrs</b>	<b>230 Rvrs</b>	<b>400 Rvrs</b>
Frequency (Hz)	50 / 60	50 / 60	50 / 60
Nominal Current Maximum (Amps)	1.05 / 1.5	.51 / .70	.22 / .26
Power Consumption Maximum (Watts)	120 / 175	115 / 165	110 / 150
Power Connection	Terminal Block		
<b>TYPE 12 / IP54 FILTER FANS</b>			
RAL 7035 Light Gray:			
Catalog Number	<b>SF1316424R</b>	<b>SF1326424R</b>	<b>SF1340424R</b>
RAL 9011 Black:			
Catalog Number	<b>SF1316423R</b>	<b>SF1326423R</b>	<b>SF1340423R</b>
Free Airflow (CFM / m <sup>3</sup> /hr.)	473 / 803	473 / 803	473 / 803
Airflow with 1 Exhaust Grille (CFM / m <sup>3</sup> /hr.)	343 / 583	343 / 583	343 / 583
Airflow with 2 Exhaust Grilles (CFM / m <sup>3</sup> /hr.)	399 / 677	399 / 677	399 / 677
<b>FILTER FAN UNIT CONSTRUCTION</b>			
Fan RPM	2450 / 2650	2550 / 2750	2650 / 2900
Sound Pressure (dBA)	70	70	70
Operating Temperature Range:			
Maximum (°F / °C)	131 / 55	131 / 55	131 / 55
Minimum (°F / °C)	14 / -10	14 / -10	14 / -10
Service Life (hours)	40,000	40,000	40,000
Unit Dimensions - H x W x D (in. / mm)	12.72 x 12.72 x 6.38 / 323 x 323 x 162		
Cutout Dimensions - H x W (in. / mm)	11.50 x 11.50 / 292 x 292		
Weight (lb. / kg)	7.72 / 3.5		
<b>TYPE 12 / IP54 EXHAUST GRILLES</b>			
RAL 7035 Light Gray:			
Catalog Number	SG1300404		
RAL 9011 Black:			
Catalog Number	SG1300403		
<b>TYPE 12 / IP55 EXHAUST GRILLES</b>			
RAL 7035 Light Gray:			
Catalog Number	SG1300504		
RAL 9011 Black:			
Catalog Number	SG1300503		
<b>ACCESSORIES</b>			
Replacement Filters:			
Type 12/IP54 Catalog Number	10100063		
Type 12 / IP55 Catalog Number	10100067H		
Thermostat Catalog Number	TWR60		
Shroud Catalog Number	SH13GS35001, SH13GS61001, SH13SS04001		

Above airflow rates at 60 Hz; see performance curves for airflow at 50 Hz and more details.

Unit depth is from the back edge of the grille to the back of the fan.

Exhaust Grilles sold separately.

Performance Data **SF13 571 CFM (970 m<sup>3</sup>/hr.) Side-Mount Filter Fan - Standard**

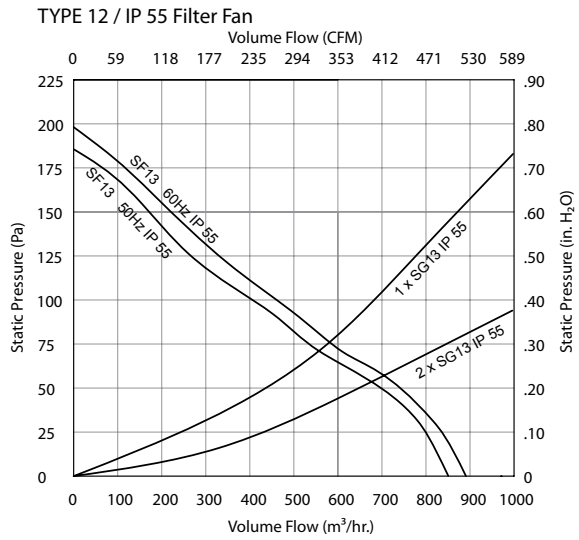
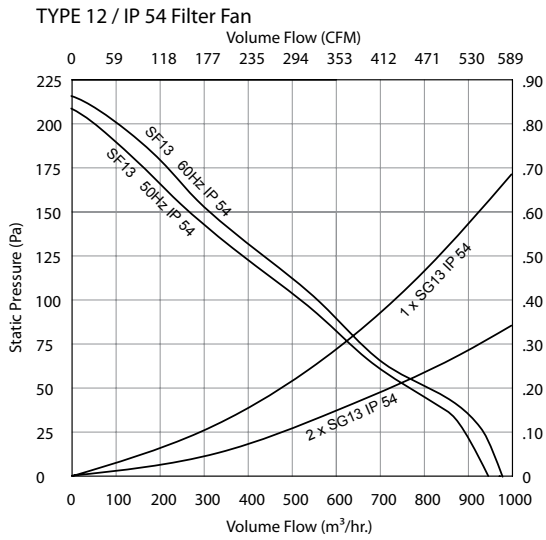
<b>ELECTRICAL DATA</b>					
<b>Rated Voltage</b>	<b>115</b>	<b>230</b>	<b>24</b>	<b>48</b>	<b>400/460</b>
Frequency (Hz)	50 / 60	50 / 60	—	—	50 / 60
Nominal Current Maximum (Amps)	1.02 / 1.47	.6 / .92	5.00	2.60	.25 / .27
Power Consumption Maximum (Watts)	115 / 175	135 / 215	105	105	113 / 172
Power Connection	Terminal Block				
<b>TYPE 12 / IP54 FILTER FANS</b>					
RAL 7035 Light Gray:					
Catalog Number	<b>SF1316434</b>	<b>SF1326434</b>	<b>SF1324434</b>	<b>SF1348434</b>	<b>SF1346434</b>
RAL 9011 Black:					
Catalog Number	<b>SF1316433</b>	<b>SF1326433</b>	<b>SF1324433</b>	<b>SF1348433</b>	<b>SF1346433</b>
Free Airflow (CFM / m <sup>3</sup> /hr.)	571 / 970	571 / 970	571 / 970	571 / 970	571 / 970
Airflow with 1 Exhaust Grille (CFM / m <sup>3</sup> /hr.)	377 / 640	377 / 640	377 / 640	377 / 640	377 / 640
Airflow with 2 Exhaust Grilles (CFM / m <sup>3</sup> /hr.)	454 / 770	454 / 770	454 / 770	454 / 770	454 / 770
<b>TYPE 12 / IP55 FILTER FANS</b>					
RAL 7035 Light Gray:					
Catalog Number	<b>SF1316534</b>	<b>SF1326534</b>	<b>SF1324534</b>	<b>SF1348534</b>	<b>SF1346534</b>
RAL 9011 Black:					
Catalog Number	<b>SF1316533</b>	<b>SF1326533</b>	<b>SF1324533</b>	<b>SF1348533</b>	<b>SF1346533</b>
Free Airflow (CFM / m <sup>3</sup> /hr.)	526 / 893	526 / 893	526 / 893	526 / 893	526 / 893
Airflow with 1 Exhaust Grille (CFM / m <sup>3</sup> /hr.)	345 / 586	345 / 586	345 / 586	345 / 586	345 / 586
Airflow with 2 Exhaust Grilles (CFM / m <sup>3</sup> /hr.)	415 / 705	415 / 705	415 / 705	415 / 705	415 / 705
<b>FILTER FAN UNIT CONSTRUCTION</b>					
Fan RPM	2600 / 2850	2650 / 2950	2750	2750	2650 / 3050
Sound Pressure (dBA)	70	69	70	70	73
Operating Temperature Range:					
Maximum (°F / °C)	140 / 60	140 / 60	140 / 60	140 / 60	140 / 60
Minimum (°F / °C)	5 / -15	5 / -15	5 / -15	5 / -15	5 / -15
Service Life (hours)	40,000	40,000	40,000	40,000	40,000
Unit Dimensions - H x W x D (in. / mm)	12.72 x 12.72 x 5.51 / 323 x 323 x 140				
Cutout Dimensions - H x W (in. / mm)	11.50 x 11.50 / 292 x 292				
Weight (lb. / kg)	10.14 / 4.6				
<b>TYPE 12 / IP54 EXHAUST GRILLES</b>					
RAL 7035 Light Gray:					
Catalog Number	SG1300404				
RAL 9011 Black:					
Catalog Number	SG1300403				
<b>TYPE 12 / IP55 EXHAUST GRILLES</b>					
RAL 7035 Light Gray:					
Catalog Number	SG1300504				
RAL 9011 Black:					
Catalog Number	SG1300503				
<b>ACCESSORIES</b>					
Replacement Filters:					
Type 12 / IP54 Catalog Number	1010063				
Type 12 / IP55 Catalog Number	1010067H				
Thermostat Catalog Number	TWR60				
Shroud Catalog Number	SH13GS35001, SH13GS61001, SH13SS04001				

Unit depth is from the back edge of the grille to the back of the fan.

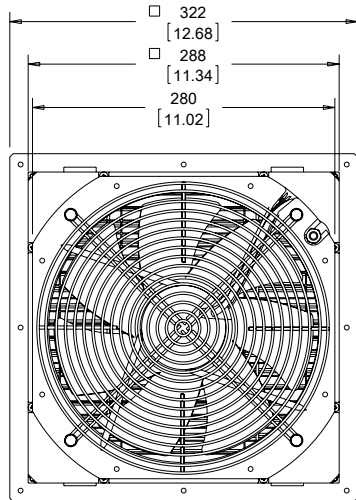
Exhaust Grilles sold separately.



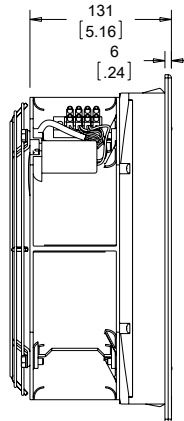
SF13 571 CFM (970 m<sup>3</sup>/hr.) Side-Mount Filter Fan Performance Curve



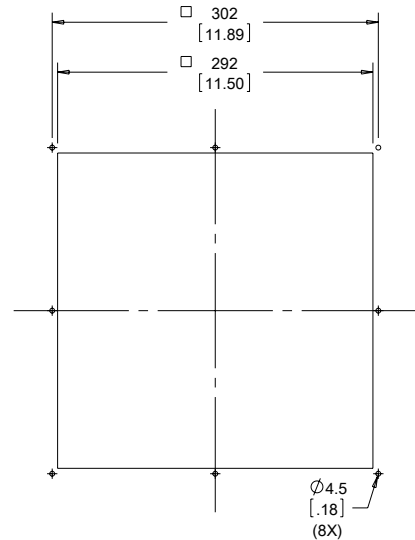
Filter Fan SF13 571 CFM (970 m<sup>3</sup>/hr.)



BACK VIEW

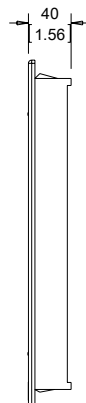
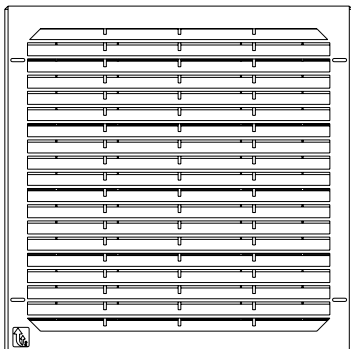


SIDE VIEW



CUTOUT DIMENSIONS

EXHAUST GRILLE



Order Exhaust Grille Kits separately

89051224

Visit [www.PentairProtect.com](http://www.PentairProtect.com) to download 2D and 3D CAD drawings into the overall design of your electronic system.

Performance Data **SF13 571 CFM (970 m<sup>3</sup>/hr.) Side-Mount Filter Fan - Reverse**

<b>ELECTRICAL DATA</b>			
<b>Rated Voltage</b>	<b>115</b>	<b>230</b>	<b>400/460</b>
Frequency (Hz)	50 / 60	50 / 60	50 / 60
Nominal Current Maximum (Amps)	1.02 / 1.47	.6 / .92	.25 / .27
Power Consumption Maximum (Watts)	115 / 175	135 / 215	113 / 160
Power Connection	Terminal Block		
<b>TYPE 12 / IP54 FILTER FANS</b>			
RAL 7035 Light Gray:			
Catalog Number	<b>SF1316434R</b>	<b>SF1326434R</b>	<b>SF1340434R</b>
RAL 9011 Black:			
Catalog Number	<b>SF1316433R</b>	<b>SF1326433R</b>	<b>SF1346433R</b>
Free Airflow (CFM / m <sup>3</sup> /hr.)	571 / 970	571 / 970	571 / 970
Airflow with 1 Exhaust Grille (CFM / m <sup>3</sup> /hr.)	377 / 640	377 / 640	377 / 640
Airflow with 2 Exhaust Grilles (CFM / m <sup>3</sup> /hr.)	454 / 770	454 / 770	454 / 770
<b>FILTER FAN UNIT CONSTRUCTION</b>			
Fan RPM	2600 / 2850	2650 / 2950	2650 / 3050
Sound Pressure (dBA)	70	69	73
Operating Temperature Range:			
Maximum (°F / °C)	140 / 60	140 / 60	140 / 60
Minimum (°F / °C)	5 / -15	5 / -15	5 / -15
Service Life (hours)	40,000	40,000	40,000
Unit Dimensions - H x W x D (in. / mm)	12.72 x 12.72 x 5.51 / 323 x 323 x 140		
Cutout Dimensions - H x W (in. / mm)	11.50 x 11.50 / 292 x 292		
Weight (lb. / kg)	10.14 / 4.6		
<b>TYPE 12 / IP54 EXHAUST GRILLES</b>			
RAL 7035 Light Gray:			
Catalog Number	SG1300404		
RAL 9011 Black:			
Catalog Number	SG1300403		
<b>TYPE 12 / IP55 EXHAUST GRILLES</b>			
RAL 7035 Light Gray:			
Catalog Number	SG1300504		
RAL 9011 Black:			
Catalog Number	SG1300503		
<b>ACCESSORIES</b>			
Replacement Filters:			
Type 12 / IP54 Catalog Number	10100063		
Type 12 / IP55 Catalog Number	10100067H		
Thermostat Catalog Number	TWR60		
Shroud Catalog Number	SH13GS35001, SH13GS61001, SH13SS04001		

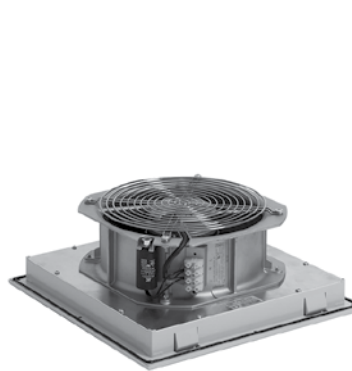
Above airflow rates at 60 Hz; see performance curves for airflow at 50 Hz and more details.

Unit depth is from the back edge of the grille to the back of the fan.

Exhaust Grilles sold separately.

**ST THIN SIDE-MOUNT**


**ST10**  
100 CFM (170 m<sup>3</sup>/hr.)



**ST13**  
303 CFM (515 m<sup>3</sup>/hr.)

**INDUSTRY STANDARDS**

UL/cUL recognized; File no. 235470

CE, CSA (entire fan assembly excluding VDC and ST13 models)  
Type 12, IP54 standard  
Type 12, IP55 optional

**APPLICATION**

- Industrial automation
- Automotive assembly
- Package handling equipment
- Food and beverage process controls
- Wind energy systems

**FEATURES**

- ST13 has reverse airflow option available to push/pull air through higher static pressure
- Click-fit design quickly installs into enclosure wall; no tools or screws required
- Thin depth to minimize cabinet intrusion
- Enclosure side wall mounting
- Standard foam-in-place gasket
- Similar cut-out sizes as other filter fan manufacturers
- Terminal wire connections
- Simple snap-open grille for easy filter replacement
- Optional thermostat available to save energy and extend service life

**SPECIFICATIONS**

- Free airflow from 100 CFM (170 m<sup>3</sup>/hr.) to 303 CFM (515 m<sup>3</sup>/hr.)
- Service life hours range from 40000 to 57500
- Operating temperature range of -4 F / -20 C to 149 F / 65 C

**FINISH**

- RAL 7035 light-gray UV-resistant plastic standard
- RAL 9011 black UV-resistant plastic optional

**ACCESSORIES**

- Replacement filters
- Thermostat
- Rain shroud

**NOTES**

Visit [www.PentairProtect.com](http://www.PentairProtect.com) to download 2D and 3D CAD drawings into the overall design of your electronic system.

Performance Data **ST10 100 CFM (170 m<sup>3</sup>/hr.) Thin Side-Mount Filter Fan**

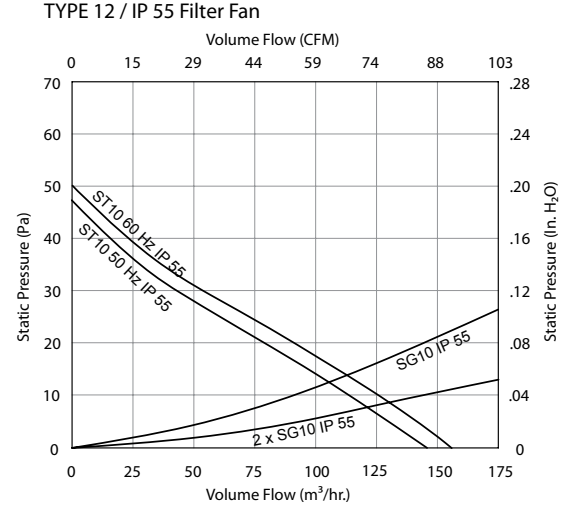
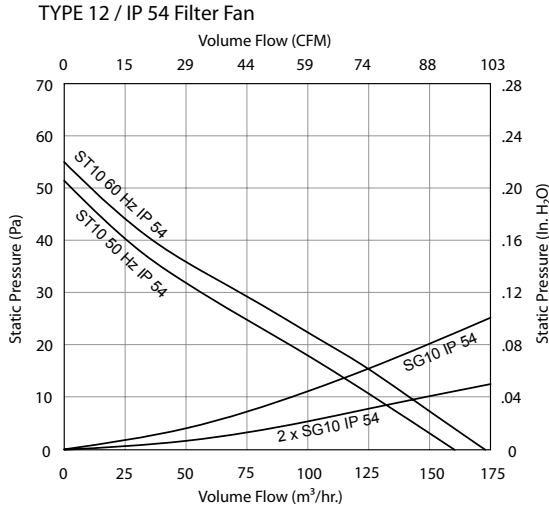
<b>ELECTRICAL DATA</b>				
<b>Rated Voltage</b>	<b>115</b>	<b>230</b>	<b>24</b>	<b>48</b>
Frequency (Hz)	50 / 60	50 / 60	—	—
Nominal Current Maximum (Amps)	0.2	0.10	0.27	0.14
Power Consumption Maximum (Watts)	18	18	6.5	6.5
Power Connection	Terminal Block			
<b>TYPE 12 / IP54 FILTER FANS</b>				
RAL 7035 Light Gray:				
Catalog Number	<b>ST1016414</b>	<b>ST1026414</b>	<b>ST1024414</b>	<b>ST1048414</b>
RAL 9011 Black:				
Catalog Number	<b>ST1016413</b>	<b>ST1026413</b>	<b>ST1024413</b>	<b>ST1048413</b>
Free Airflow (CFM / m <sup>3</sup> /hr.)	100 / 170	100 / 170	100 / 170	100 / 170
Airflow with 1 Exhaust Grille (CFM / m <sup>3</sup> /hr.)	74 / 125	74 / 125	74 / 125	74 / 125
Airflow with 2 Exhaust Grilles (CFM / m <sup>3</sup> /hr.)	84 / 143	84 / 143	84 / 143	84 / 143
<b>TYPE 12 / IP55 FILTER FANS</b>				
RAL 7035 Light Gray:				
Catalog Number	<b>ST1016514</b>	<b>ST1026514</b>	<b>ST1024514</b>	<b>ST1048514</b>
RAL 9011 Black:				
Catalog Number	<b>ST1016513</b>	<b>ST1026513</b>	<b>ST1024513</b>	<b>ST1048513</b>
Free Airflow (CFM / m <sup>3</sup> /hr.)	92 / 156	92 / 156	92 / 156	92 / 156
Airflow with 1 Exhaust Grille (CFM / m <sup>3</sup> /hr.)	67 / 114	67 / 114	67 / 114	67 / 114
Airflow with 2 Exhaust Grilles (CFM / m <sup>3</sup> /hr.)	77 / 130	77 / 130	77 / 130	77 / 130
<b>FILTER FAN UNIT CONSTRUCTION</b>				
Fan RPM	2750 / 3100	2750 / 3100	3150	3150
Sound Pressure (dBA)	44	44	46	46
Operating Temperature Range:				
Maximum (°F / °C)	131 / 55	131 / 55	149 / 65	149 / 65
Minimum (°F / °C)	14 / -10	14 / -10	-4 / -20	-4 / -20
Service Life (hours)	40,000	40,000	57,500	57,500
Unit Dimensions - H x W x D (in. / mm)	9.84 x 9.84 x 4.02 / 250 x 250 x 102			
Cutout Dimensions - H x W (in. / mm)	8.78 x 8.78 / 223 x 223			
Weight (lb. / kg)	2.54 / 1.15			
<b>TYPE 12 / IP54 EXHAUST GRILLES</b>				
RAL 7035 Light Gray:				
Catalog Number	SG1000404			
RAL 9011 Black:				
Catalog Number	SG1000403			
<b>TYPE 12 / IP55 EXHAUST GRILLES</b>				
RAL 7035 Light Gray:				
Catalog Number	SG1000504			
RAL 9011 Black:				
Catalog Number	SG1000503			
<b>ACCESSORIES</b>				
Replacement Filters:				
Type 12 / IP54 Catalog Number	10100062			
Type 12 / IP55 Catalog Number	10100066H			
Thermostat Catalog Number	TWR60			
Shroud Catalog Number	SH10GS35001, SH10GS61001, SH10SS04001			

Above airflow rates at 60 Hz; see performance curves for airflow at 50 Hz and more details.

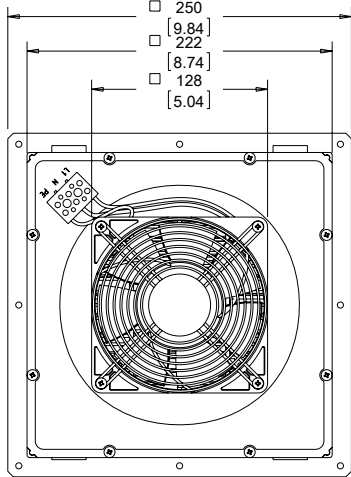
Unit depth is from the back edge of the grille to the back of the fan.

Exhaust Grilles sold separately.

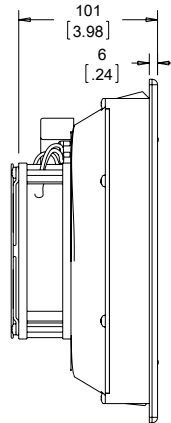
**ST10 100 CFM (170 m<sup>3</sup>/hr.) Thin Side-Mount Filter Fan Performance Curve**



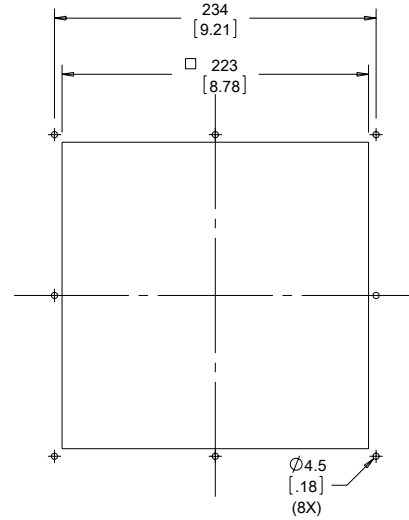
**Filter Fan ST10 100 CFM (170 m<sup>3</sup>/hr.)**



**BACK VIEW**

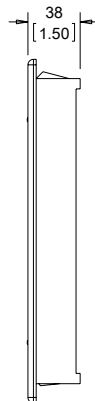
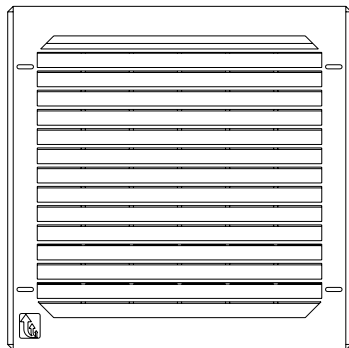


**SIDE VIEW**



**CUTOUT DIMENSIONS**

**EXHAUST GRILLE**



89051218

Order Exhaust Grille Kits separately

Visit [www.PentairProtect.com](http://www.PentairProtect.com) to download 2D and 3D CAD drawings into the overall design of your electronic system.

Performance Data **ST13 303 CFM (515 m<sup>3</sup>/hr.) Thin Side-Mount Filter Fan - Standard and Reverse**

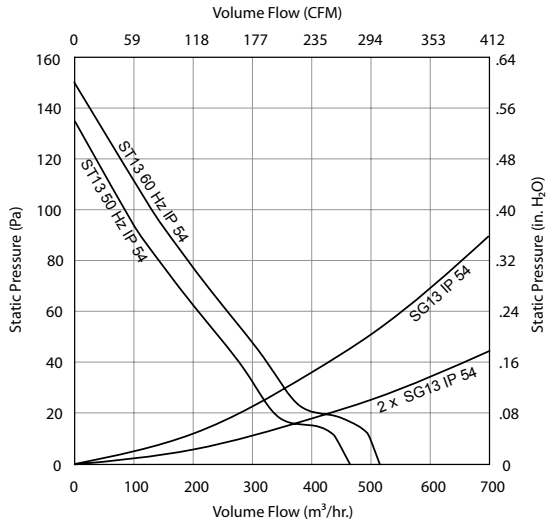
<b>ELECTRICAL DATA</b>				
<b>Rated Voltage</b>	<b>115</b>	<b>230</b>	<b>115</b>	<b>230</b>
Frequency (Hz)	50 / 60	50 / 60	50 / 60	50 / 60
Nominal Current Maximum (Amps)	.58 / .70	.29 / .35	.58 / .70	.29 / .35
Power Consumption Maximum (Watts)	64 / 80	64 / 80	64 / 80	64 / 80
Power Connection	Terminal Block			
<b>TYPE 12 / IP54 FILTER FANS</b>				
RAL 7035 Light Gray:				
Catalog Number	<b>ST1316414</b>	<b>ST1326414</b>	<b>ST1316414R</b>	<b>ST1326414R</b>
RAL 9011 Black:				
Catalog Number	<b>ST1316413</b>	<b>ST1326413</b>	<b>ST1316413R</b>	<b>ST1326413R</b>
Free Airflow (CFM / m <sup>3</sup> /hr.)	303 / 515	303 / 515	303 / 515	303 / 515
Airflow with 1 Exhaust Grille (CFM / m <sup>3</sup> /hr.)	209 / 355	209 / 355	209 / 355	209 / 355
Airflow with 2 Exhaust Grilles (CFM / m <sup>3</sup> /hr.)	249 / 422	249 / 422	249 / 422	249 / 422
<b>TYPE 12 / IP55 FILTER FANS</b>				
RAL 7035 Light Gray:				
Catalog Number	<b>ST1316514</b>	<b>ST1326514</b>	<b>ST1316514R</b>	<b>ST1326514R</b>
RAL 9011 Black:				
Catalog Number	<b>ST1316513</b>	<b>ST1326513</b>	<b>ST1316513R</b>	<b>ST1326513R</b>
Free Airflow (CFM / m <sup>3</sup> /hr.)	277 / 470	277 / 470	277 / 470	277 / 470
Airflow with 1 Exhaust Grille (CFM / m <sup>3</sup> /hr.)	191 / 325	191 / 325	191 / 325	191 / 325
Airflow with 2 Exhaust Grilles (CFM / m <sup>3</sup> /hr.)	219 / 372	219 / 372	219 / 372	219 / 372
<b>FILTER FAN UNIT CONSTRUCTION</b>				
Fan RPM	2550 / 2800	2550 / 2800	2550 / 2800	2550 / 2800
Sound Pressure (dBA)	60	60	60	60
Operating Temperature Range:				
Maximum (°F / °C)	131 / 55	131 / 55	131 / 55	131 / 55
Minimum (°F / °C)	14 / -10	14 / -10	14 / -10	14 / -10
Service Life (hours)	40,000	40,000	40,000	40,000
Unit Dimensions - H x W x D (in. / mm)	12.72 x 12.72 x 4.8 / 323 x 323 x 122			
Cutout Dimensions - H x W (in. / mm)	11.50 x 11.50 / 292 x 292			
Weight (lb. / kg)	7.5 / 3.4			
<b>TYPE 12 / IP54 EXHAUST GRILLES</b>				
RAL 7035 Light Gray:				
Catalog Number	SG1300404			
RAL 9011 Black:				
Catalog Number	SG1300403			
<b>TYPE 12 / IP55 EXHAUST GRILLES</b>				
RAL 7035 Light Gray:				
Catalog Number	SG1300504			
RAL 9011 Black:				
Catalog Number	SG1300503			
<b>ACCESSORIES</b>				
Replacement Filters:				
Type 12 / IP54 Catalog Number	10100063			
Type 12 / IP55 Catalog Number	10100067H			
Thermostat Catalog Number	TWR60			
Shroud Catalog Number	SH13GS35001, SH13GS61001, SH13SS04001			

Above airflow rates at 60 Hz; see performance curves for airflow at 50 Hz and more details.

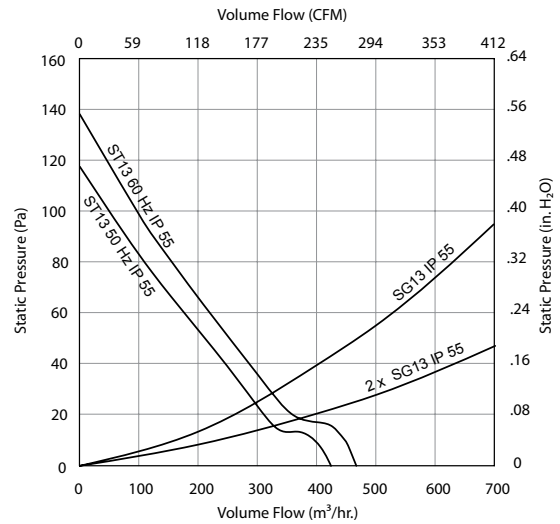
Unit depth is from the back edge of the grille to the back of the fan.

Exhaust Grilles sold separately.

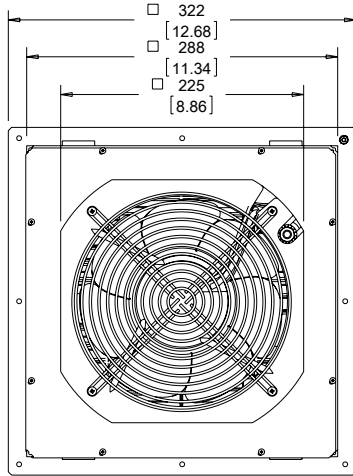
**ST13 303 CFM (515 m<sup>3</sup>/hr.) Thin Side-Mount Filter Fan**  
**Performance Curve**  
**TYPE 12 / IP 54 Filter Fan**



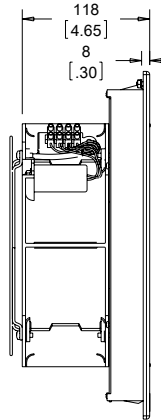
**TYPE 12 / IP 55 Filter Fan**



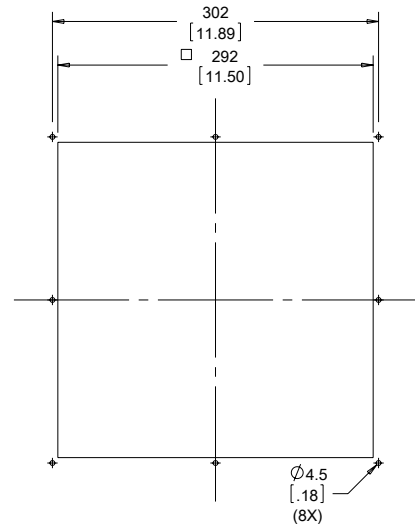
**Filter Fan ST13 303 CFM (515 m<sup>3</sup>/hr.)**



**BACK VIEW**

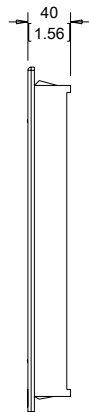
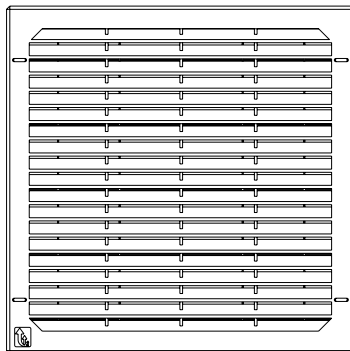


**SIDE VIEW**



**CUTOUT DIMENSIONS**

**EXHAUST GRILLE**



Order Exhaust Grille Kit separately

89051222

Visit [www.PentairProtect.com](http://www.PentairProtect.com) to download 2D and 3D CAD drawings into the overall design of your electronic system.

**Notes**



## X-ON Electronics

Largest Supplier of Electrical and Electronic Components

*Click to view similar products for [Hoffman](#) manufacturer:*

Other Similar products are found below :

[A-1412CHQR](#) [A-6P4G](#) [A-202408LP](#) [CSD20168SS](#) [CSD20206](#) [CSD20208SS](#) [CSD24168](#) [CSD36248](#) [CSD36308](#) [PCU7](#) [PDS76R](#)  
[PRA197TP](#) [PT126](#) [A10086CH](#) [A1008CHNFSS](#) [A10106CH](#) [A10106CHFL](#) [A10106PHCW](#) [A1043DSC](#) [A1066JFGQRR](#) [A12106CHQRFG](#)  
[A1212SC](#) [A1412CHNFSS](#) [A161208LP](#) [A161410CH](#) [A16148CHQRFG](#) [A16H12ALP](#) [A18P16AL](#) [A24H2408SSLP](#) [A24H24BLP](#)  
[Q13138PCE](#) [A36P24](#) [Q3PBPCDM](#) [A404CH](#) [A606CHNF](#) [A606NF](#) [A806SC](#) [A845JFGR](#) [A864CHQRFGW](#) [A90P36F1](#) [HJ1412HWPL2LG](#)  
[HJ1816HWPL2LG](#) [RHJ1210HWPL2LG](#) [AS125SS](#) [ASE10X10X4](#) [ASE12X12X4](#) [E1PBG](#) [E2PBG](#) [E3PB](#) [LED24V15](#)