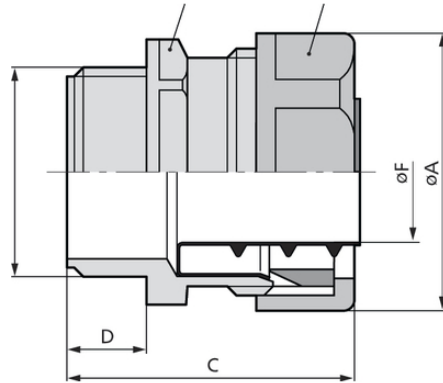
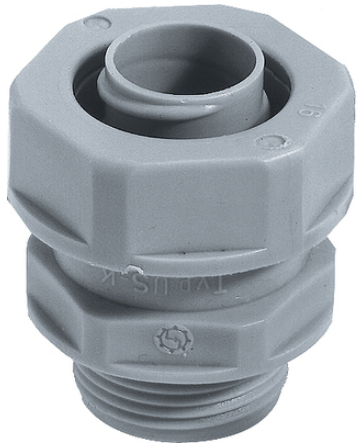


SILVYN® USK-M

SILVYN® USK-M - metric threaded conduit fitting



Assembly time



Maximum vibration protection

Benefits

- Fast and easy assembly
- Vibration protection
- No extra parts necessary

Application range

In combination with protective conduit:
 SILVYN® FPS/ FD-PU
 SILVYN® SP/SP-PU
 Indoor applications
 Light mechanical stress

Product features

Large wrench sizes

Product Make-up

- Metric connection thread
- Hexagonal collar
- Threaded sleeve
- Cap nut

Note

Included: SILVYN® EE-K inner sleeve

SILVYN® USK-M**Technical Data**

Classification ETIM 5:	ETIM 5.0 Class-ID: EC001178 ETIM 5.0 Class-Description: Screw connection for protective plastic hose
Classification ETIM 6:	ETIM 6.0 Class-ID: EC001178 ETIM 6.0 Class-Description: Screw connection for protective plastic hose
Colour delivered:	Silver grey (RAL 7001)
Material:	PP
Protection rating:	IP 54
Temperature range:	-10°C to +110°C

Note

Photographs and graphics are not to scale and do not represent detailed images of the respective products.
Prices are net prices without VAT and surcharges. Sale to business customers only.

Article number	Metric size	SW 1/2 mm	Overall length mm	Thread length mm	Clear opening (mm)	Suitable for SILVYN® FD-PU/FPS	Su SIL
SILVYN® USK-M							
55501300	10 x 1.0	16.0 / 18.0	40	10	6	7 x 10	-
55501310	12 x 1.5	21.0 / 23.0	43	12	8	10 x 14	10
55501320	16 x 1.5	24.0 / 27.0	43	12	11	13 x 17	12
55501330	20 x 1.5	29.0 / 32.0	44	13	15	16 x 21	16
55501340	25 x 1.5	36.0 / 40.0	50	13	20	22 x 27	22
55501350	32 x 1.5	45.0 / 49.0	51	15	27	29 x 36	30
55501360	40 x 1.5	54.0 / 58.0	51	15	35	38 x 45	38
55501370	50 x 1.5	66.0 / 70.0	58	16	44.5	48 x 56	49

Last Update (10.04.2018)
 ©2018 Lapp Group - Technical changes reserved
 Product Management www.lappkabel.de
 You can find the current technical data in the corresponding data sheet.
 PN 0456 / 02_03.16

X-ON Electronics

Largest Supplier of Electrical and Electronic Components

Click to view similar products for [Conduit Fittings & Accessories](#) category:

Click to view products by [Lapp Kabel](#) manufacturer:

Other Similar products are found below :

[S53.35A](#) [260-416](#) [DM0240-1/2A](#) [817.612.0](#) [55506625](#) [1.511.2001.50](#) [1.533.1601.50](#) [1.533.2001.50](#) [52005810](#) [817.716.0](#) [712.015.0](#) [216-420](#) [2276](#) [2663-P](#) [C2070-P](#) [3582V](#) [2643-P](#) [4975](#) [2644-P](#) [90480](#) [2404-P](#) [1047561](#) [2723-P](#) [55506355](#) [1.513.1101.14](#) [55502461](#) [55502462](#) [55502463](#) [55502464](#) [55502473](#) [166-22214](#) [166-22215](#) [166-24800](#) [166-25801](#) [166-30318](#) [SHR-C1](#) [2037 12-20 LGR](#) [2037 16-24 LGR](#) [HP50SS](#) [55502470](#) [SH PA6 BL ND10](#) [5308 946](#) [295.012.0](#) [2955 M16](#) [2955 M25](#) [2955 M32](#) [2955 M40](#) [297.212.0](#) [297.240.0](#) [298.012.0](#)