



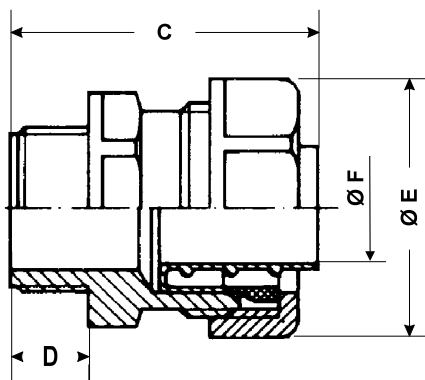
DATA SHEET	5550 1300
SILVYN® USK-M	valid from : 10.12.2015

The SILVYN® USK-M is an all plastic screwed conduit connector with hexagonal wrench surface and a metric thread. The screw connection is simple and safely to assembling and can only use in combination with the protective tube. The applications are in machine and plant construction and also in protection isolation electric installations.

- Material:** Connector body – Polypropylene
Threaded ferrule – Polypropylene
Locking ring – TPE
- Properties:** High dust and waterproof
Friction-type locking of conduit and screw connector
Vibration and tension-proof
- Resistance:** To fuels, mineral, oil, fat, alkalises, glycols, acids, bases and common solvents
- Temperature range:** -10 up to +110 °C
- Colour:** Grey, RAL 7001
- Norm References:**  File Nr. E308201
- Note:** Self-extinguishing HB in acc. To UL 94
Free of halogen and phosphor
- Protection class:** IP54 up to 65 acc. To EN 60529

elaborated by: TE-VZ: M.Steinberg	Dokument: DB55501300_2EN	Blatt 1 von 2
--------------------------------------	--------------------------	---------------

DATA SHEET	5550 1300
SILVYN® USK-M	valid from : 10.12.2015



Dimension table:

Part no.	Part name	Total length C mm	Smallest inner Ø F mm	Largest outer Ø E mm	Length of thread D mm	WS 1 mm	WS 2 mm
5550 1300	USK-M 10x1,0	40	6	20	10	16	18
5550 1310	USK-M 12x1,5	43	8	25	12	21	23
5550 1320	USK-M 16x1,5	43	11	30	12	24	27
5550 1330	USK-M 20x1,5	44	15	35	13	29	32
5550 1340	USK-M 25x1,5	50	20	44	13	36	40
5550 1350	USK-M 32x1,5	51	27	54	15	45	49
5550 1360	USK-M 40x1,5	51	35	63	15	54	58
5550 1370	USK-M 50x1,5	58	44,5	77	16	66	70

Suitable:

SILVYN® FD-PU
 SILVYN® SP
 SILVYN® SP-PU
 SILVYN® FPS

For more information please see our current catalogue.

Please do not hesitate to contact our laboratory if there any questions regarding resistance against aggressive agents and special oil.

elaborated by: TE-VZ: M.Steinberg	Dokument: DB55501300_2EN	Blatt 2 von 2
--------------------------------------	--------------------------	---------------

X-ON Electronics

Largest Supplier of Electrical and Electronic Components

Click to view similar products for [Conduit Fittings & Accessories](#) category:

Click to view products by [Lapp Kabel](#) manufacturer:

Other Similar products are found below :

[S53.35A](#) [260-416](#) [DM0240-1/2A](#) [817.612.0](#) [55506625](#) [1.511.2001.50](#) [1.533.1601.50](#) [1.533.2001.50](#) [52005810](#) [817.716.0](#) [712.015.0](#) [216-420](#) [2276](#) [2663-P](#) [C2070-P](#) [3582V](#) [2643-P](#) [4975](#) [2644-P](#) [90480](#) [2404-P](#) [1047561](#) [2723-P](#) [55506355](#) [1.513.1101.14](#) [55502461](#) [55502462](#) [55502463](#) [55502464](#) [55502473](#) [166-22214](#) [166-22215](#) [166-24800](#) [166-25801](#) [166-30318](#) [SHR-C1](#) [2037 12-20 LGR](#) [2037 16-24 LGR](#) [HP50SS](#) [55502470](#) [SH PA6 BL ND10](#) [5308 946](#) [295.012.0](#) [2955 M16](#) [2955 M25](#) [2955 M32](#) [2955 M40](#) [297.212.0](#) [297.240.0](#) [298.012.0](#)