

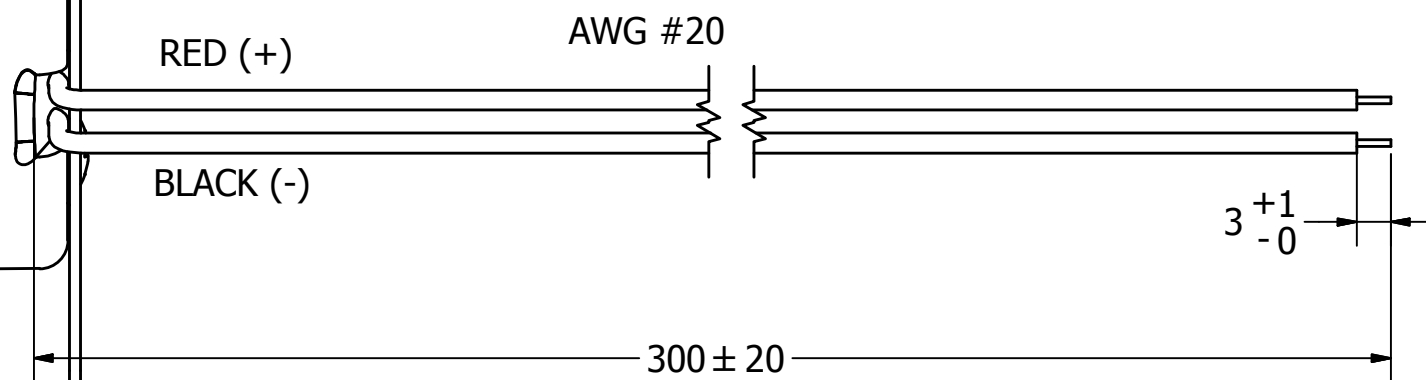
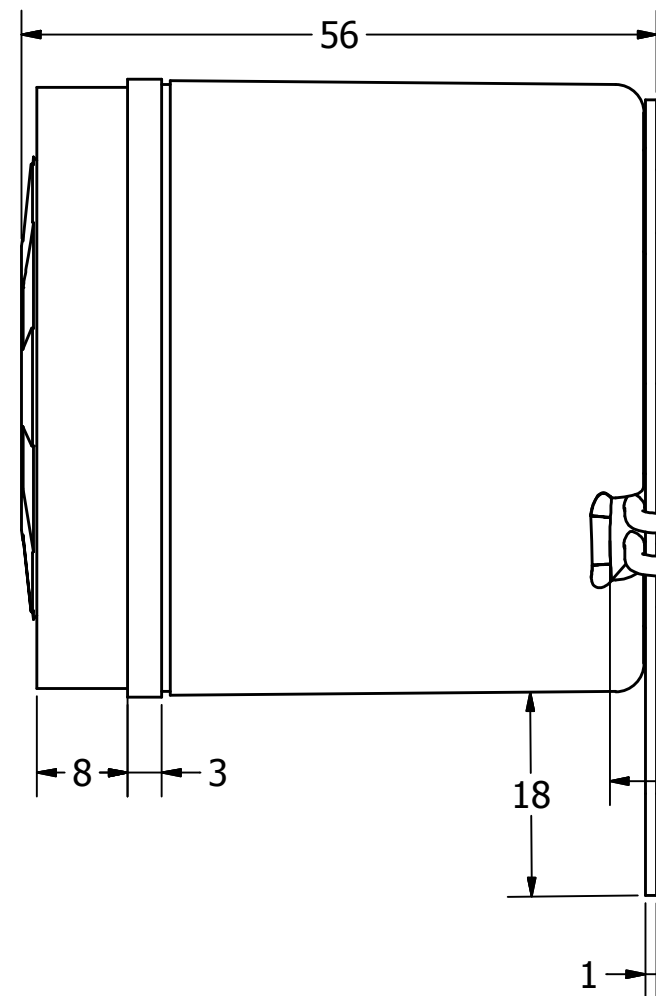
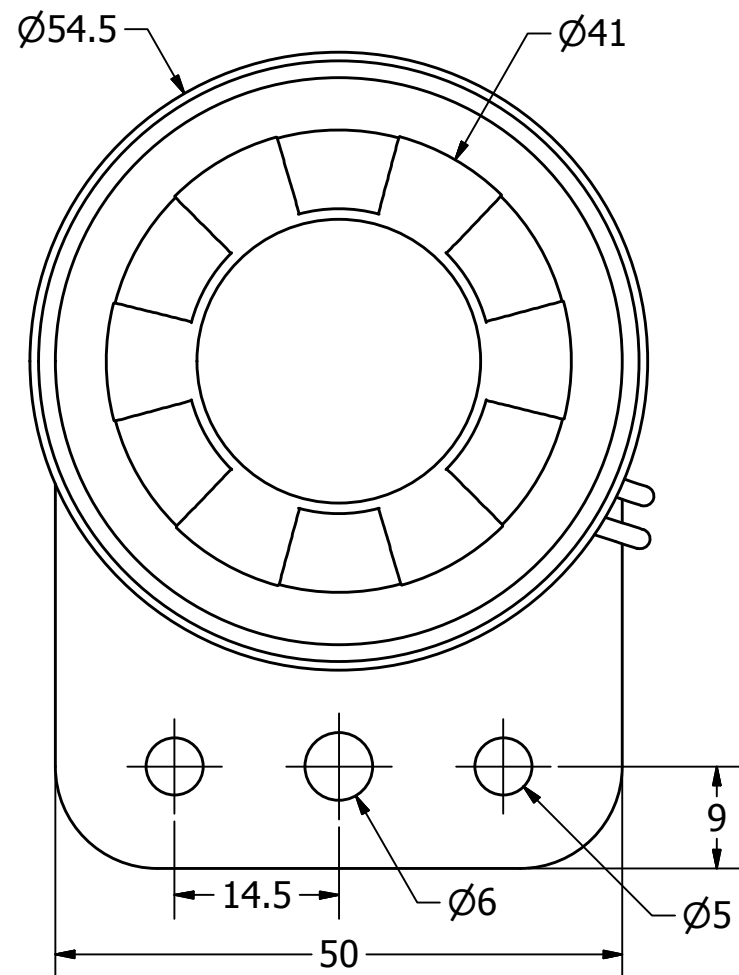
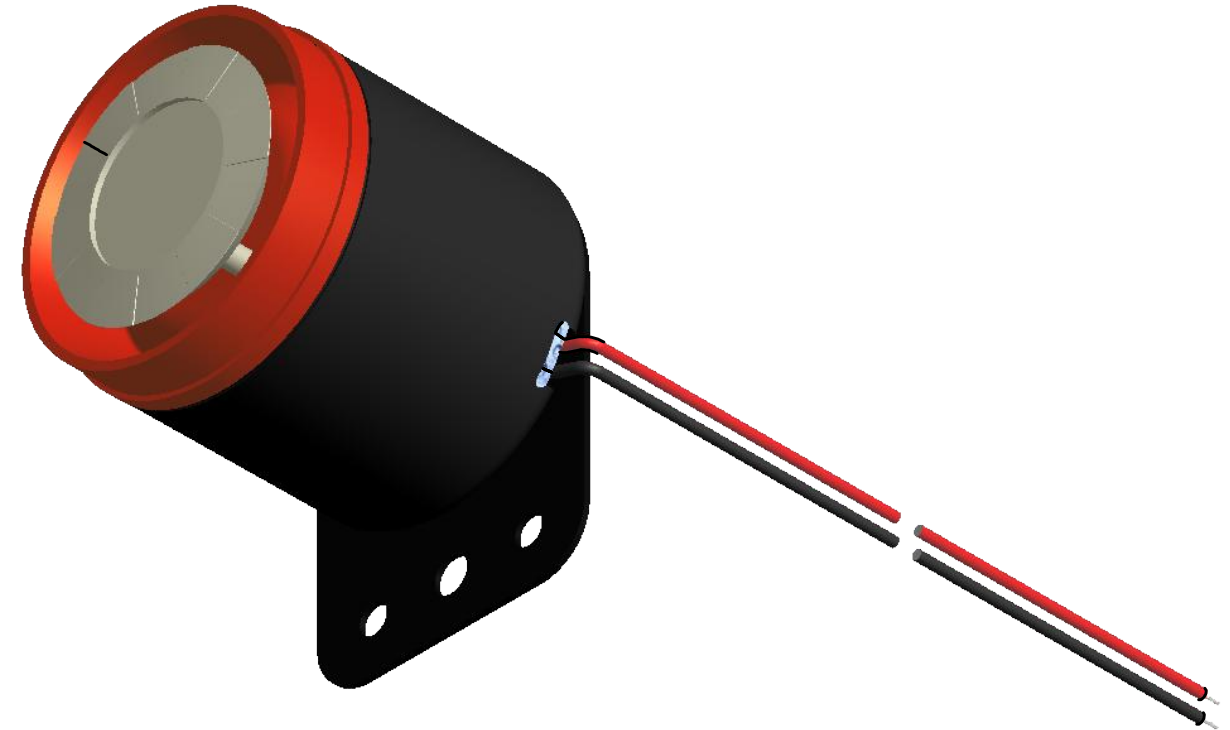
# SPECIFICATIONS

PARAMETERS	VALUES	UNITS
RATED VOLTAGE	12	Vdc
OPERATING VOLTAGE RANGE	6 ~ 16	Vdc
RATED CURRENT (MAX)	260	mA
MINIMUM SPL @ 10 CM	123	dB
RESONANT FREQUENCY	2,000/4,000 ± 500	Hz
TONE OR PULSE RATE	SIREN	3.0 pulse /sec
OPERATING TEMPERATURE	-20 ~ +60	°C
STORAGE TEMPERATURE	-30 ~ +70	°C
HOUSING MATERIAL	ABS	-
TERMINAL MATERIAL	LEAD WIRES	-
WEIGHT	92	grams

THIS DOCUMENT CONTAINS DATA PROPRIETARY TO PROJECTS UNLIMITED, INC. ANY USE OR REPRODUCTION, IN ANY FORM, WITHOUT PRIOR WRITTEN PERMISSION OF PROJECTS UNLIMITED, INC. IS PROHIBITED.  
©2003, Projects Unlimited Inc.

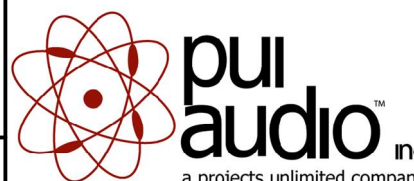
# REVISION HISTORY

LTR	DESCRIPTION	DATE	APPROVED
-	RELEASED FROM ENGINEERING	5/15/2006	
A	REVISED TO INVENTOR 3-D DRAWING TEMPLATE	3/26/2008	B.R.
B	REVISED LENGTH DIMENSION	9/1/2011	B.R.



### NOTES:

1. ALL DIMENSIONS ARE IN MILLIMETERS.
2. SPECIFICATIONS SUBJECT TO CHANGE OR WITHDRAWL WITHOUT NOTICE.
3. THIS PART IS RoHS 2002/95/EC COMPLIANT.

UNLESS OTHERWISE SPECIFIED: DIMENSIONS ARE IN MILLIMETERS, TOLERANCES ARE ±0.5 AND ANGLES ARE ±3°.	SIZE <b>A3</b>	Designed by	Date	Checked by	Date	Approved by	Date	Drawn Date
		J.D.	5/15/2006	E.P.	5/15/2006	B.R.	5/15/2006	3/26/2008
XL-5530-LW300-S-R.idw		 <b>pui audio</b> a projects unlimited company		<b>XL-5530-LW300-S-R</b>			Indicator	
						Edition	Sheet	
						-	1 / 1	

## **X-ON Electronics**

Largest Supplier of Electrical and Electronic Components

*Click to view similar products for [Projects Unlimited](#) manufacturer:*

Other Similar products are found below :

[AW-15SBW](#) [AOM-4546L-R](#) [AI-383](#) [AT-1438-TWT-R](#) [AI-4328-P-FP250-R](#) [AI-4329-P-FP28-R](#) [X-4032-TF-LW105-R](#) [X-4035-TFL-LW140-R](#) [POM-5242P-R](#) [AOM-4540L-R](#) [X-2629-TWT-R](#) [AT-2440-TWT-R](#) [AT-1620-TWT-12V-R](#) [SMI-1324-TW-5V-2-R](#) [AST-03032MR-R](#) [POM-1644P-NF-R](#) [AI-550](#) [AOM-6738P-R](#) [AS01308MR-LW10](#) [AST-030C0MR-R](#) [AI-4328-P-C28-2-R](#) [TOM-1545P-R](#) [POM-3044P-R](#) [SMT-0727-S-R](#) [AOM-6738L-R](#) [AT-1220-TWT-5V-R](#) [AOM-4540P-R](#) [ROM-2238P-NF-R](#) [AI-1440-TWT-12V-R](#) [AT-1620-TWT-R](#)