



**Part no.**  
**Article no.**

**SL7-FL24-B-HPM**  
**171275**



Powering Business Worldwide™

**Catalog No.**

**SL7-FL24-B-HPM**

### Delivery programme

Product range  
Basic function  
Protection type  
Rated operational voltage  
Description

$U_e$

V

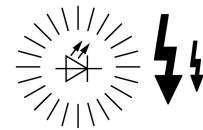
Type of light  
Light elements  
Colour

SL7 signal towers  
Card with high-output LED  
IP66  
24 V AC/DC  
High-performance LED for maximum signaling effect  
Multistrobe light  
High Performance LED

Blue



Function



Connection to SmartWire-DT

no

### Approvals

Product Standards  
UL File No.  
UL Category Control No.  
CSA File No.  
CSA Class No.  
North America Certification  
Degree of Protection

IEC/EN 60947-5-1; UL 508; CSA-C22.2 No. 14-10; CSA-C22.2 No. 94-91; CE marking  
E29184  
NKCR  
UL report applies to both US and Canada  
NKCR7  
UL listed, certified by UL for use in Canada  
UL Type 4, 4X, 13

### General

Standards  
Climatic proofing  
Mounting position  
Mechanical shock resistance  
IEC degree of protection  
Protection type UL  
Material  
Cap colour  
Ambient temperature  
Number of signal elements  
Weight

Standards		IEC/EN 60947-5-1
Climatic proofing		Damp heat, constant, to IEC 60068-2-78 Damp heat, cyclic, to IEC 60069-2-30
		As required
Mechanical shock resistance	g	> 15 according to IEC 60068-2-27 Shock duration 11 ms Sinusoidal
		IP66 IEC/EN 60529
IEC degree of protection		Type 4, 4X, 13
Material		Enclosure: Polycarbonate (PC), black Cap: Polycarbonate (PC)
Ambient temperature	°C	Blue -30 - +60
Number of signal elements		Max. 5 with standard base Max. 10 with base for mounting on both sides
	g	80

### Contacts

Rated impulse withstand voltage  
Rated insulation voltage  
Overvoltage category/pollution degree

$U_{imp}$	V AC	4000
$U_i$	V	250
		III/3

### Module

Type of light  
Light elements  
Flashing/strobe frequency  
Leakage current  
lifespan

Type of light		Multistrobe light
Light elements		High Performance LED
Flashing/strobe frequency		1 - 2.6 Hz
Leakage current	A	< 0.003
lifespan	h	> 50000

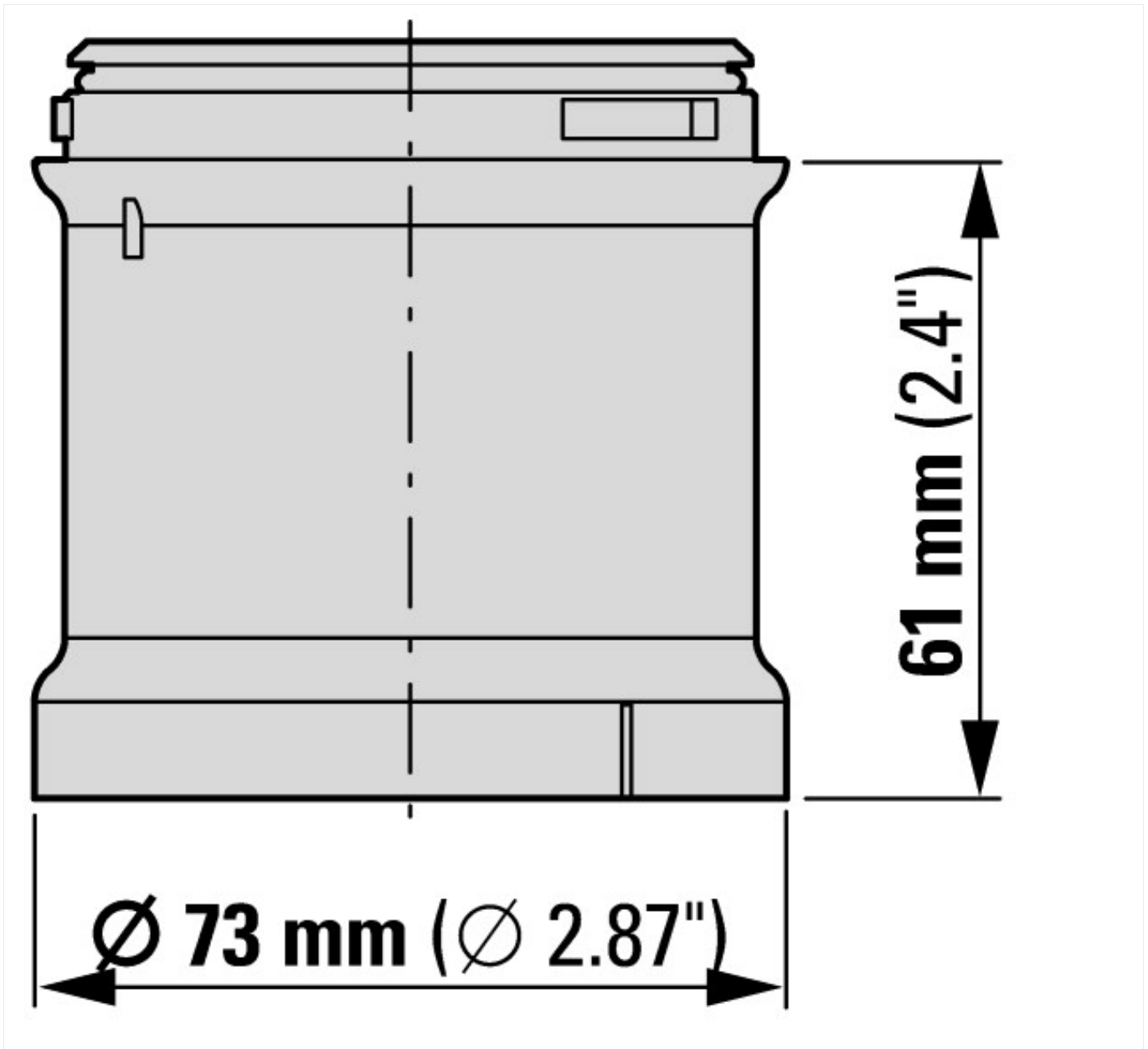
Transmission angle		360°
Current-/power consumption		
24 V AC/DC	A	0.260 - 0.265
Voltage levels		18-30 V DC/18-26 V AC

### Technical data ETIM 5.0

Low-voltage industrial components (EG000017) / Optical module for signal tower (EC000232)  
 Electric engineering, automation, process control engineering / Low-voltage switch technology / Command and alarm device / Optical module for signal tower  
 (ecl@ss8-27-37-12-20 [AKF038010])

Function		Flash light
Colour		Blue
Outer diameter	mm	73
Degree of protection (IP)		IP66
Operating voltage at AC 50 Hz	V	18 - 26
Operating voltage at AC 60 Hz	V	18 - 26
Operating voltage at DC	V	18 - 30
Voltage type		AC/DC
Type of lamp		LED
Colour housing		Black

### Dimensions



### Additional product information (links)

<b>IL047004ZU SL7 Light Modules, Tone Modules</b>	
IL047004ZU SL7 Light Modules, Tone Modules	<a href="ftp://ftp.moeller.net/DOCUMENTATION/AWA_INSTRUCTIONS/IL047004ZU2013_02.pdf">ftp://ftp.moeller.net/DOCUMENTATION/AWA_INSTRUCTIONS/IL047004ZU2013_02.pdf</a>
IL047004ZU SL7, modules lumineux, modules sonores	<a href="ftp://ftp.moeller.net/DOCUMENTATION/AWA_INSTRUCTIONS/IL047004ZU2013_02.pdf">ftp://ftp.moeller.net/DOCUMENTATION/AWA_INSTRUCTIONS/IL047004ZU2013_02.pdf</a>



## X-ON Electronics

Largest Supplier of Electrical and Electronic Components

*Click to view similar products for [Audio Indicators & Alerts](#) category:*

*Click to view products by [Eaton](#) manufacturer:*

Other Similar products are found below :

[M2BJ-BH24E](#) [6-4](#) [68S1240-PA](#) [MBA-624](#) [F/BC 40P-DR LF](#) [FDG111PLF](#) [F/NRMB 24 BLACK LF](#) [PF-35N29WQ](#) [PFD-27A35PQ](#) [PL-27A35PSQ](#) [PS-531Q](#) [AB2020B-2-LW1](#) [EBPT-401](#) [PB06SD12AP](#) [PB-1220PEQ](#) [S6109](#) [SC2036ACP](#) [SC616N-2](#) [SC628FW](#) [SC628MPG](#) [SC648D](#) [SCS045MD9DT3S](#) [AB2025B-LW50-R](#) [ESZ-25B-5-250B](#) [F/BC 35-DR LF](#) [FCM12PLF](#) [F/EB20P-DR LF](#) [F/HU110MP24V-IP67B LF](#) [AI-2835-TF-LW150-2-R](#) [AI-4228-TF-LW305-R](#) [FSMD8585JSLF](#) [FSS-26T](#) [F/SU 21-02 LF](#) [F/TCW 05 WITH LABEL LF](#) [F/UCW 03 WITH LABEL LF](#) [F/UCW 06 WITH LABEL LF](#) [PKM22EPPH40S1-B0](#) [PKM35-4A0](#) [PL-35N29WQ](#) [PLD-27A35PQ](#) [PS-552Q](#) [CM-5](#) [M2BJ-BH24E-D](#) [REF-202](#) [LSC628ANR](#) [5-100](#) [PAL-328](#) [03-810.001](#) [RTO-1R07-001](#) [PL-21N31PQ](#) [PF-27A25PSQ](#)