



**Part no.**  
**Article no.**

**SL7-L230-Y**  
**171477**



Powering Business Worldwide™

**Catalog No.**

**SL7-L230-Y**

## Delivery programme

Product range  
Basic function  
Protection type  
Rated operational voltage  
Type of light  
Light elements  
Colour

$U_e$

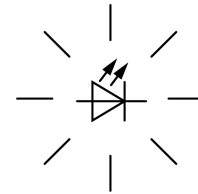
V

SL7 signal towers  
Card with LED  
IP66  
230/240 V AC  
Continuous light  
LED

yellow



Function



no

Connection to SmartWire-DT

## Approvals

Product Standards  
UL File No.  
UL Category Control No.  
CSA File No.  
CSA Class No.  
North America Certification  
Degree of Protection

IEC/EN 60947-5-1; UL 508; CSA-C22.2 No. 14-10; CSA-C22.2 No. 94-91; CE marking  
E29184  
NKCR  
UL report applies to both US and Canada  
NKCR7  
UL listed, certified by UL for use in Canada  
UL Type 4, 4X, 13

## General

Standards  
Climatic proofing  
Mounting position  
Mechanical shock resistance  
IEC degree of protection  
Protection type UL  
Material  
Cap colour  
Ambient temperature  
Number of signal elements  
Weight

|                             |    |  |
|-----------------------------|----|--|
| Standards                   |    | IEC/EN 60947-5-1   |
| Climatic proofing           |    | Damp heat, constant, to IEC 60068-2-78<br>Damp heat, cyclic, to IEC 60069-2-30 |
| Mounting position           |    | As required  |
| Mechanical shock resistance | g  | > 15<br>according to IEC 60068-2-27<br>Shock duration 11 ms<br>Sinusoidal      |
| IEC degree of protection    |    | IP66<br>IEC/EN 60529   |
| Protection type UL          |    | Type 4, 4X, 13   |
| Material                    |    | Enclosure: Polycarbonate (PC), black<br>Cap: Polycarbonate (PC)                |
| Cap colour                  |    | yellow   |
| Ambient temperature         | °C | -30 - +60  |
| Number of signal elements   |    | Max. 5 with standard base<br>Max. 10 with base for mounting on both sides      |
| Weight                      | g  | 80   |

## Contacts

Rated impulse withstand voltage  
Rated insulation voltage  
Overvoltage category/pollution degree

|                                       |         |       |
|---------------------------------------|---------|-------|
| $U_{imp}$                             | V<br>AC | 4000  |
| $U_i$                                 | V       | 250   |
| Overvoltage category/pollution degree |         | III/3 |

## Module

Type of light  
Light elements  
Leakage current  
lifespan

|                 |   |                  |
|-----------------|---|------------------|
| Type of light   |   | Continuous light |
| Light elements  |   | LED              |
| Leakage current | A | < 0.003          |
| lifespan        | h | > 100000         |

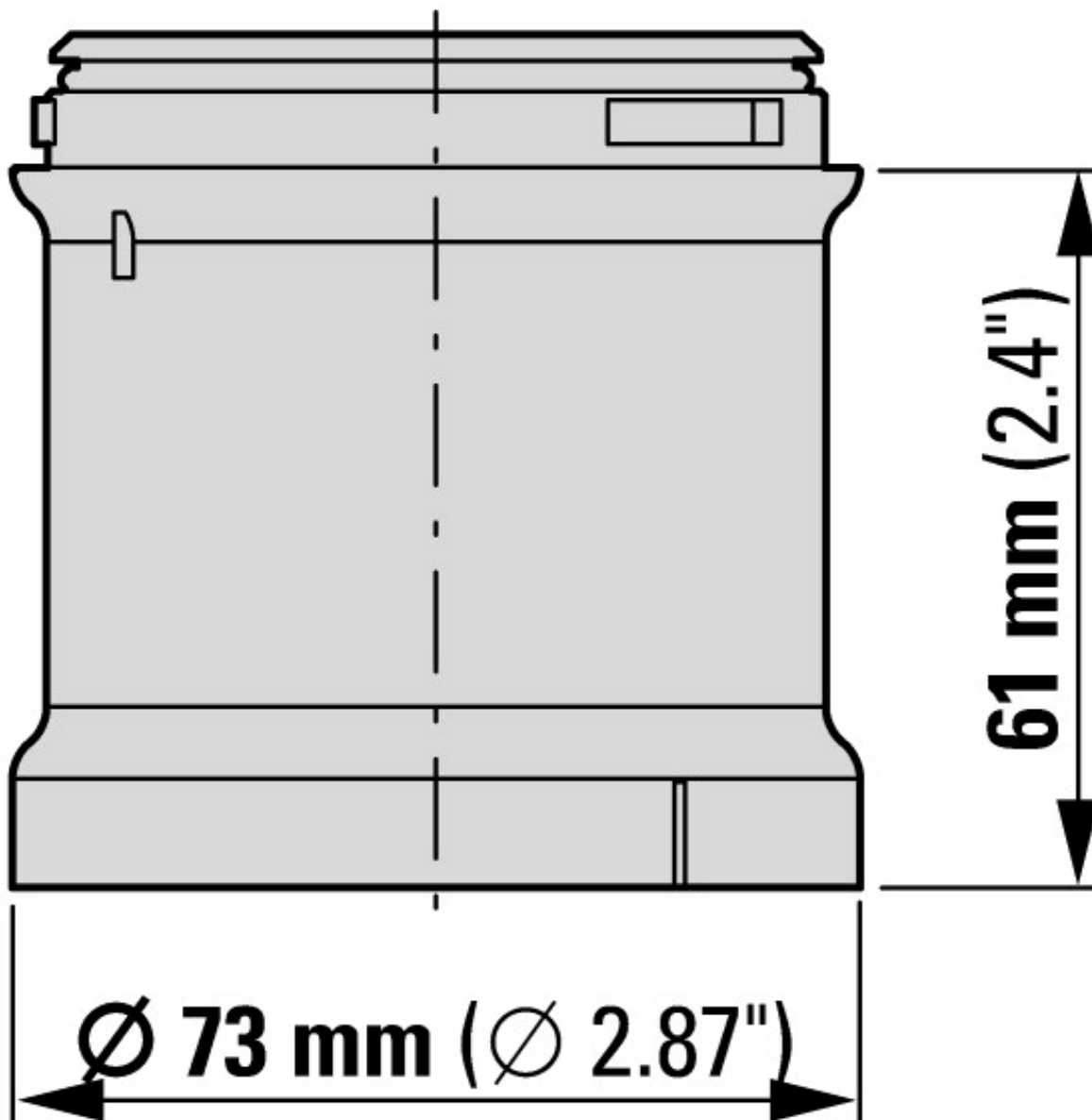
|                            |   |                     |
|----------------------------|---|---------------------|
| Transmission angle         |   | 360°                |
| Current-/power consumption |   |                     |
| 230 /240V AC               | A | 0.027 - 0.028       |
| Voltage levels             |   | 230/240 V AC ± 10 % |

## Technical data ETIM 5.0

Low-voltage industrial components (EG000017) / Optical module for signal tower (EC000232)  
 Electric engineering, automation, process control engineering / Low-voltage switch technology / Command and alarm device / Optical module for signal tower  
 (ecl@ss8-27-37-12-20 [AKF038010])

|                               |    |                  |
|-------------------------------|----|------------------|
| Function                      |    | Continuous light |
| Colour                        |    | Yellow           |
| Outer diameter                | mm | 73               |
| Degree of protection (IP)     |    | IP66             |
| Operating voltage at AC 50 Hz | V  | 110 - 120        |
| Operating voltage at AC 60 Hz | V  | 110 - 120        |
| Operating voltage at DC       | V  | 0 - 0            |
| Voltage type                  |    | AC               |
| Type of lamp                  |    | LED              |
| Colour housing                |    | Black            |

## Dimensions



## Additional product information (links)

### IL047004ZU SL7 Light Modules, Tone Modules

IL047004ZU SL7 Light Modules, Tone Modules [ftp://ftp.moeller.net/DOCUMENTATION/AWA\\_INSTRUCTIONS/IL047004ZU2013\\_02.pdf](ftp://ftp.moeller.net/DOCUMENTATION/AWA_INSTRUCTIONS/IL047004ZU2013_02.pdf)

IL047004ZU SL7, modules lumineux, modules sonores [ftp://ftp.moeller.net/DOCUMENTATION/AWA\\_INSTRUCTIONS/IL047004ZU2013\\_02.pdf](ftp://ftp.moeller.net/DOCUMENTATION/AWA_INSTRUCTIONS/IL047004ZU2013_02.pdf)



## X-ON Electronics

Largest Supplier of Electrical and Electronic Components

*Click to view similar products for [Audio Indicators & Alerts](#) category:*

*Click to view products by [Eaton](#) manufacturer:*

Other Similar products are found below :

[M2BJ-BH24E](#) [6-4](#) [68S1240-PA](#) [MBA-624](#) [F/BC 40P-DR LF](#) [FDG111PLF](#) [F/NRMB 24 BLACK LF](#) [PF-35N29WQ](#) [PFD-27A35PQ](#) [PL-27A35PSQ](#) [PS-531Q](#) [AB2020B-2-LW1](#) [EBPT-401](#) [PB06SD12AP](#) [PB-1220PEQ](#) [S6109](#) [SC2036ACP](#) [SC616N-2](#) [SC628FW](#) [SC628MPG](#) [SC648D](#) [SCS045MD9DT3S](#) [AB2025B-LW50-R](#) [ESZ-25B-5-250B](#) [F/BC 35-DR LF](#) [FCM12PLF](#) [F/EB20P-DR LF](#) [F/HU110MP24V-IP67B LF](#) [AI-2835-TF-LW150-2-R](#) [AI-4228-TF-LW305-R](#) [FSMD8585JSLF](#) [FSS-26T](#) [F/SU 21-02 LF](#) [F/TCW 05 WITH LABEL LF](#) [F/UCW 03 WITH LABEL LF](#) [F/UCW 06 WITH LABEL LF](#) [PKM22EPPH40S1-B0](#) [PKM35-4A0](#) [PL-35N29WQ](#) [PLD-27A35PQ](#) [PS-552Q](#) [CM-5](#) [M2BJ-BH24E-D](#) [REF-202](#) [LSC628ANR](#) [5-100](#) [PAL-328](#) [03-810.001](#) [RTO-1R07-001](#) [PL-21N31PQ](#) [PF-27A25PSQ](#)