



Part no.
Article no.

SL7-L24-A-HP
171432

Catalog No.

SL7-L24-A-HP

Delivery programme

Product range
Basic function
Protection type
Rated operational voltage
Description

U_e

V

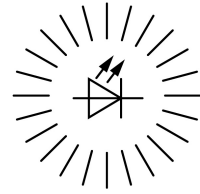
Type of light
Light elements
Colour

SL7 signal towers
Card with high-output LED
IP66
24 V AC/DC
High-performance LED for maximum signaling effect
Continuous light
High Performance LED

Orange



Function



Connection to SmartWire-DT

no

Approvals

Product Standards
UL File No.
UL Category Control No.
CSA File No.
CSA Class No.
North America Certification
Degree of Protection

IEC/EN 60947-5-1; UL 508; CSA-C22.2 No. 14-10; CSA-C22.2 No. 94-91; CE marking
E29184
NKCR
UL report applies to both US and Canada
NKCR7
UL listed, certified by UL for use in Canada
UL Type 4, 4X, 13

General

Standards
Climatic proofing
Mounting position
Mechanical shock resistance
IEC degree of protection
Protection type UL
Material
Cap colour
Ambient temperature
Number of signal elements
Weight

| | | |
|-----------------------------|----|--|
| Standards | | IEC/EN 60947-5-1 |
| Climatic proofing | | Damp heat, constant, to IEC 60068-2-78 Damp heat, cyclic, to IEC 60069-2-30 |
| Mounting position | | As required |
| Mechanical shock resistance | g | > 15 according to IEC 60068-2-27 Shock duration 11 ms Sinusoidal |
| IEC degree of protection | | IP66 IEC/EN 60529 |
| Protection type UL | | Type 4, 4X, 13 |
| Material | | Enclosure: Polycarbonate (PC), black Cap: Polycarbonate (PC) |
| Cap colour | | Orange |
| Ambient temperature | °C | -30 - +60 |
| Number of signal elements | | Max. 5 with standard base Max. 10 with base for mounting on both sides |
| Weight | g | 80 |

Contacts

Rated impulse withstand voltage
Rated insulation voltage
Overvoltage category/pollution degree

| | | | |
|---------------------------------------|-----------|---------|-------|
| Rated impulse withstand voltage | U_{imp} | V AC | 4000 |
| Rated insulation voltage | U_i | V | 250 |
| Overvoltage category/pollution degree | | | III/3 |

Module

Type of light
Light elements
Leakage current
lifespan

| | | |
|-----------------|---|----------------------|
| Type of light | | Continuous light |
| Light elements | | High Performance LED |
| Leakage current | A | < 0.003 |
| lifespan | h | > 50000 |

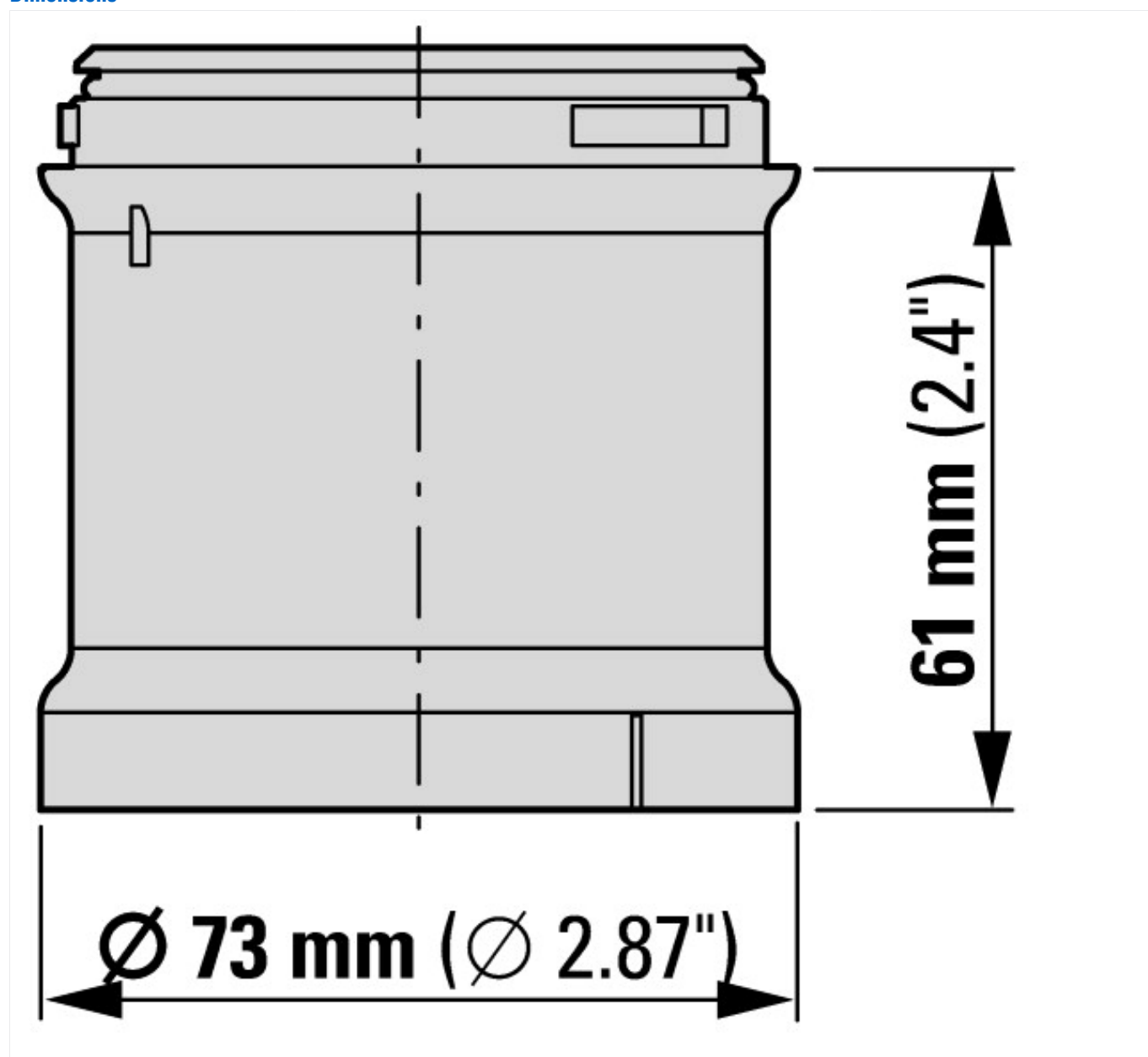
| | | |
|----------------------------|---|-----------------------|
| Transmission angle | | 360° |
| Current-/power consumption | | |
| 24 V AC/DC | A | 0.170 - 0.200 |
| Voltage levels | | 18-30 V DC/18-26 V AC |

Technical data ETIM 5.0

Low-voltage industrial components (EG000017) / Optical module for signal tower (EC000232)
 Electric engineering, automation, process control engineering / Low-voltage switch technology / Command and alarm device / Optical module for signal tower
 (ecl@ss8-27-37-12-20 [AKF038010])

| | | |
|-------------------------------|----|------------------|
| Function | | Continuous light |
| Colour | | Orange |
| Outer diameter | mm | 73 |
| Degree of protection (IP) | | IP66 |
| Operating voltage at AC 50 Hz | V | 18 - 26 |
| Operating voltage at AC 60 Hz | V | 18 - 26 |
| Operating voltage at DC | V | 18 - 30 |
| Voltage type | | AC/DC |
| Type of lamp | | LED |
| Colour housing | | Black |

Dimensions



Additional product information (links)

| | |
|---|---|
| IL047004ZU SL7 Light Modules, Tone Modules | |
| IL047004ZU SL7 Light Modules, Tone Modules | ftp://ftp.moeller.net/DOCUMENTATION/AWA_INSTRUCTIONS/IL047004ZU2013_02.pdf |
| IL047004ZU SL7, modules lumineux, modules sonores | ftp://ftp.moeller.net/DOCUMENTATION/AWA_INSTRUCTIONS/IL047004ZU2013_02.pdf |

X-ON Electronics

Largest Supplier of Electrical and Electronic Components

Click to view similar products for [Audio Indicators & Alerts](#) category:

Click to view products by [Eaton](#) manufacturer:

Other Similar products are found below :

[M2BJ-BH24E](#) [6-4](#) [68S1240-PA](#) [MBA-624](#) [F/BC 40P-DR LF](#) [FDG111PLF](#) [F/NRMB 24 BLACK LF](#) [PF-35N29WQ](#) [PFD-27A35PQ](#) [PL-27A35PSQ](#) [PS-531Q](#) [AB2020B-2-LW1](#) [EBPT-401](#) [PB06SD12AP](#) [PB-1220PEQ](#) [S6109](#) [SC2036ACP](#) [SC616N-2](#) [SC628FW](#) [SC628MPG](#) [SC648D](#) [SCS045MD9DT3S](#) [AB2025B-LW50-R](#) [ESZ-25B-5-250B](#) [F/BC 35-DR LF](#) [FCM12PLF](#) [F/EB20P-DR LF](#) [F/HU110MP24V-IP67B LF](#) [AI-2835-TF-LW150-2-R](#) [AI-4228-TF-LW305-R](#) [FSMD8585JSLF](#) [FSS-26T](#) [F/SU 21-02 LF](#) [F/TCW 05 WITH LABEL LF](#) [F/UCW 03 WITH LABEL LF](#) [F/UCW 06 WITH LABEL LF](#) [PKM22EPPH40S1-B0](#) [PKM35-4A0](#) [PL-35N29WQ](#) [PLD-27A35PQ](#) [PS-552Q](#) [CM-5](#) [M2BJ-BH24E-D](#) [REF-202](#) [LSC628ANR](#) [5-100](#) [PAL-328](#) [03-810.001](#) [RTO-1R07-001](#) [PL-21N31PQ](#) [PF-27A25PSQ](#)