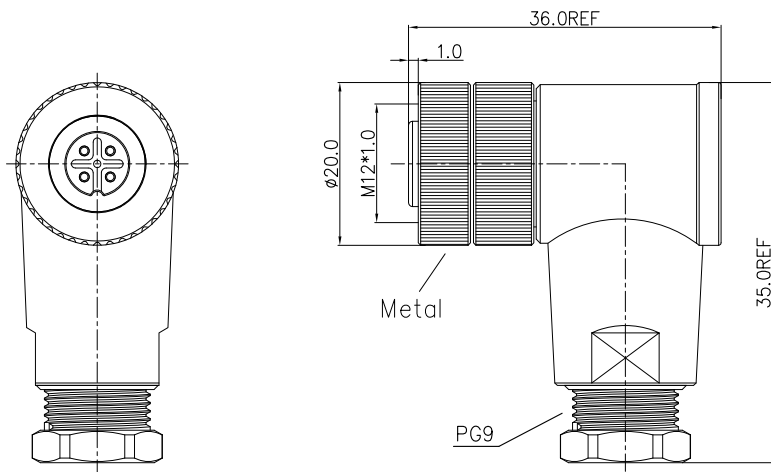


REVISION RECORD				
REV	ECN	DESCRIPTION	DRFT	DATE



Plastic

TERMINATION: SCREW

Detailed product Description:

1. Waterproof connector rating is IP65/IP67
2. Protected from dust and water during immersion, resistant to many oils and chemical etc
3. Wire cross section: 0.25mm<sup>2</sup>

Electrical character:

1. Rating voltage: 60V AC/DC
2. Insulation resistance: >100MΩ
3. Rating current: 3A
4. Contact resistance of the connector ≤ 10 mΩ

Other Specification:

1. Contact PIN: Phosphor Copper with Gold plating
2. Coupling nut/screw: Brass with nickel plating
3. Insulation plastic: PA66+GF
4. Degree of protection: IP65
5. Operating temperature: -25℃ ~ +85℃

Prat Number	Contacts	Rated Voltage		Rated Current	Contact Resistance	Cable OD (mm)
		A/C	D/C			
SM12-PRP-A3W-1B9		250V	250V	4A	10mΩ	6~8
SM12-PRP-A4W-1B9		250V	250V	4A	10mΩ	6~8
SM12-PRP-A5W-1B9		60V	60V	4A	10mΩ	6~8
SM12-PRP-A8W-1B9		30V	30V	2A	10mΩ	6~8
SM12-PRP-A12W-1B9		30V	30V	1.5A	10mΩ	6~8
SM12-PRP-B5W-1B9		60V	60V	4A	10mΩ	6~8
SM12-PRP-D4W-1B9		250V	250V	4A	10mΩ	6~8

DETACHED LISTS	PART NO.: /		宁波高松电子有限公司 NINGBO DEGSON ELECTRICAL CO., LTD		
	APPD: Alam 9/10/15"		NAME: SM12-PRP-XXW-1B9		
	CHKD: Aaron 9/2/15"		TITLE: CUSTOMER DRAWING		
	DRFT: CKZ 08/11/15"		REV	DO	
	THIRD ANGLE PROJECTION		DRAWING NO.: SM12-PRP-A4F-1B9	SHEET	1/1
		MM (INCH)	DO NOT SCALE DRAWING	SCALE	1:1

## X-ON Electronics

Largest Supplier of Electrical and Electronic Components

*Click to view similar products for [Standard Circular Connector](#) category:*

*Click to view products by [Degson](#) manufacturer:*

Other Similar products are found below :

[C015](#) [10F006](#) [001](#) [1](#) [5M2530B10P](#) [600247N007](#) [600259N006](#) [6280-2PG-519](#) [6280-3PG-311](#) [6280-3SG-311](#) [6280-7SG-3DC](#) [6280-7SG-522](#)  
[6282-2SG-321](#) [6282-5PG-311](#) [6282-6PG-519](#) [6283-11](#) [6283-15](#) [6290](#) [6293](#) [6382-2PG-311](#) [6382-2SG-321](#) [6382-2SG-3DC](#) [6382-4SG-516](#)  
[67-03E20-37P](#) [680-SMG](#) [681-PMG](#) [CXS3102A14S2P](#) [CXS3102A181S](#) [D38999/20FC8SA L/C](#) [MB12P-1](#) [MB12R-6](#) [7251-2PG-300](#) [7251-2SG-300](#) [7251-4PG-300](#) [7251-4SG-300](#) [7251-5PG-300](#) [7251-5SG-300](#) [7251-6SG-300](#) [7251-7PG-300](#) [7251-8PG-300](#) [7271-6SG-300](#) [7282-3PG-300-CH3](#) [7282-8PG-3ES](#) [73000005663](#) [75-190216-08S](#) [75-190218-10P](#) [75-190614-07S](#) [75-214636-52P](#) [75-474118-10P](#) [75-474211-03P](#) [75-474218-19S](#) [75-474618-01S](#) [75-474620-07P](#)