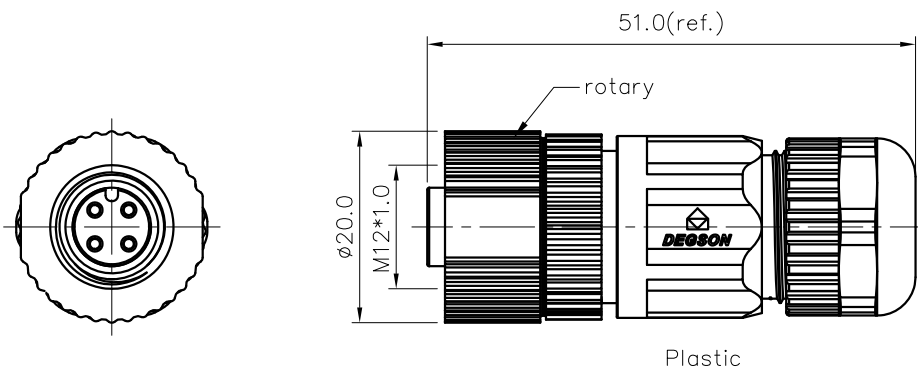


REVISION RECORD

REV	ECN	DESCRIPTION	DRFT	DATE
-----	-----	-------------	------	------



PA-M12X-XXP-FF-SL7001-00A(H)  
 Coding: A,B,D — Pin number: 03,04,05, 06,08,10,12

NOTES:

- Rated voltage/current : 3pin A: 250V / 4A  
 4pin A: 250V / 4A  
 5pin A: 60V / 4A  
 6pin A: 30V / 2A  
 8pin A: 30V / 2A  
 10pin A: 30V / 1.5A  
 12pin A: 30V / 1.5A  
 5pin B: 60V / 4A  
 4pin D: 250V / 4A
- Withstanding voltage : 3,4pin A: AC1500V/1Min  
 5pin A: AC1120V/1Min  
 6,8,10,12pin A: AC500V/1Min  
 5pin B: AC1120V/1Min  
 4pin D: AC1500V/1Min
- Levels of protection: IP67
- Wire range :  
 3pin A: 24~20AWG/0.25~0.52mm<sup>2</sup>  
 4pin A: 24~20AWG/0.25~0.52mm<sup>2</sup>  
 5pin A: 24~20AWG/0.25~0.52mm<sup>2</sup>  
 6pin A: 24~22AWG/0.25~0.34mm<sup>2</sup>  
 8pin A: 24~22AWG/0.25~0.34mm<sup>2</sup>  
 10pin A: 26~22AWG/0.14~0.34mm<sup>2</sup>  
 12pin A: 26~22AWG/0.14~0.34mm<sup>2</sup>  
 5pin B: 24~20AWG/0.25~0.52mm<sup>2</sup>  
 4pin D: 24~20AWG/0.25~0.52mm<sup>2</sup>
- Cable OD: 4~8mm
- Wire connection mode: soldering
- Operating temperature: -25°C~+105°C
- RoHS Compliance

10pin A Coding	12pin A Coding	5pin B Coding	4pin D Coding	
Pin Assignments Front View	Pin Assignments Front View	Pin Assignments Front View	Pin Assignments Front View	
3pin A Coding	4pin A Coding	5pin A Coding	6pin A Coding	8pin A Coding
Pin Assignments Front View	Pin Assignments Front View	Pin Assignments Front View	Pin Assignments Front View	Pin Assignments Front View

DETACHED LISTS	PART NO.: PAM12XXXPFSL700100AH	宁波高松电子有限公司 NINGBO DEGSON ELECTRICAL CO., LTD		
	APPD:	NAME: PA-M12X-XXP-FF-SL7001-00A(H)		
	CHKD:	DRFT: LZ 2018.10.08		
	THIRD ANGLE PROJECTION		TITLE: CUSTOMER DRAWING	REV: D0-1
		DRAWING NO.: XXXXXXXX-XX-CXX	SHEET: 1/1	
		MM (INCH)	DO NOT SCALE DRAWING	SCALE: 1:1

## X-ON Electronics

Largest Supplier of Electrical and Electronic Components

*Click to view similar products for [Standard Circular Connector](#) category:*

*Click to view products by [Degson](#) manufacturer:*

Other Similar products are found below :

[C015](#) [10F006](#) [001](#) [1](#) [5M2530B10P](#) [600247N007](#) [600259N006](#) [6280-2PG-519](#) [6280-3PG-311](#) [6280-3SG-311](#) [6280-7SG-3DC](#) [6280-7SG-522](#)  
[6282-2SG-321](#) [6282-5PG-311](#) [6282-6PG-519](#) [6283-11](#) [6283-15](#) [6290](#) [6293](#) [6382-2PG-311](#) [6382-2SG-321](#) [6382-2SG-3DC](#) [6382-4SG-516](#)  
[67-03E20-37P](#) [680-SMG](#) [681-PMG](#) [CXS3102A14S2P](#) [CXS3102A181S](#) [D38999/20FC8SA L/C](#) [MB12P-1](#) [MB12R-6](#) [7251-2PG-300](#) [7251-2SG-300](#) [7251-4PG-300](#) [7251-4SG-300](#) [7251-5PG-300](#) [7251-5SG-300](#) [7251-6SG-300](#) [7251-7PG-300](#) [7251-8PG-300](#) [7271-6SG-300](#) [7282-3PG-300-CH3](#) [7282-8PG-3ES](#) [73000005663](#) [75-190216-08S](#) [75-190218-10P](#) [75-190614-07S](#) [75-214636-52P](#) [75-474118-10P](#) [75-474211-03P](#) [75-474218-19S](#) [75-474618-01S](#) [75-474620-07P](#)