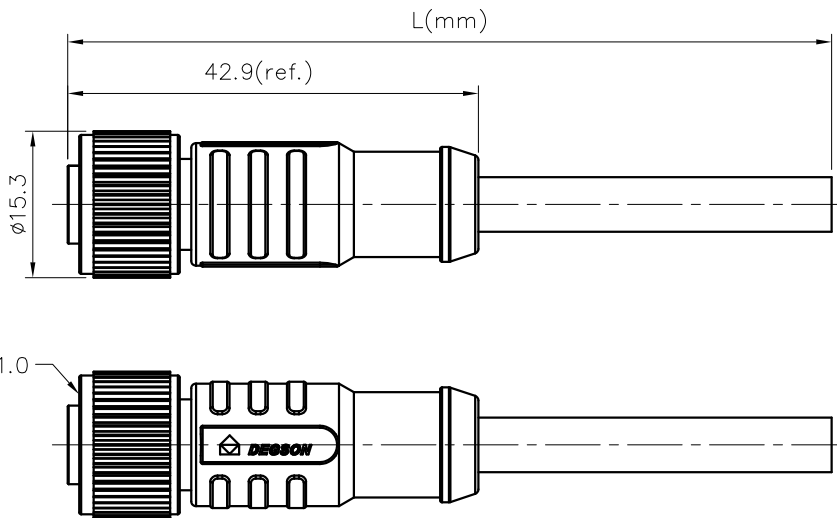
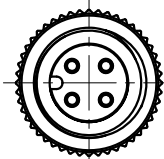
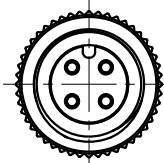


REVISION RECORD

REV	ECN	DESCRIPTION	DRFT	DATE
-----	-----	-------------	------	------



NOTES:

- Rated voltage/current : 3pin A: 250V / 4A
4pin A: 250V / 4A
5pin A: 60V / 4A
6pin A: 30V / 2A
8pin A: 30V / 2A
- Withstanding voltage : 3,4pin: AC1500V/1Min
5pin: AC1120V/1Min
6,8pin: AC500V/1Min
- Levels of protection: IP68
- Cable specifications :
3pin A: 3C*22AWG/0.34mm²,UL2517/UL20549
4pin A: 4C*22AWG/0.34mm²,UL2517/UL20549
5pin A: 5C*22AWG/0.34mm²,UL2517/UL20549
6pin A: 6C*24AWG/0.25mm²,UL2517/UL20549
8pin A: 8C*24AWG/0.25mm²,UL2517/UL20549
- Wire connection mode: soldering
- Operating temperature: PVC Cable: -25°C~+85°C
PUR Cable: -25°C~+80°C
- RoHS Compliance

PM-M12X-XXP-FF-SL8XXX-00A(H)

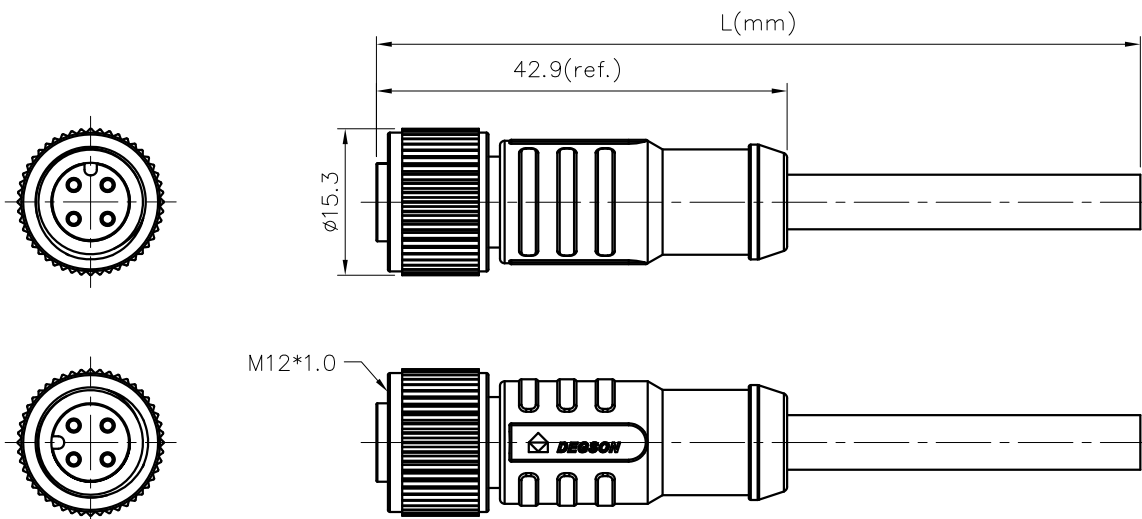
Coding: A,B,D
Pin number: 03,04, 05,06,08, 10,12
Cable jacket: A: PVC UL2517; B: PUR UL20549
Cable length L: 01: 1M ... 99: 99M
The line grows business trip: 01~05m: ± 50mm 06~10m: ± 100mm 11~30m: ± 200mm 31~99m: ± 500mm

3pin A Coding		4pin A Coding		5pin A Coding		6pin A Coding		8pin A Coding	
Pin Assignments Front View		Pin Assignments Front View		Pin Assignments Front View		Pin Assignments Front View		Pin Assignments Front View	
								8	Red
								7	Blue
								6	Pink
				5	Grey			5	Grey
4	Black	4	Black	4	Black	4	Yellow	4	Yellow
3	Blue	3	Blue	3	Blue	3	Green	3	Green
1	Brown	2	White	2	White	2	Brown	2	Brown
1	Brown	1	Brown	1	Brown	1	White	1	White
Pin	Wire Color	Pin	Wire Color	Pin	Wire Color	Pin	Wire Color	Pin	Wire Color
	Pin Out		Pin Out		Pin Out		Pin Out		Pin Out

DETACHED LISTS	PART NO.: PMM12XXXPFSL8XXX00AH	宁波高松电子有限公司 NINGBO DEGSON ELECTRICAL CO., LTD		
	APPD:	NAME: PM-M12X-XXP-FF-SL8XXX-00A(H)		
	CHKD:	TITLE: CUSTOMER DRAWING		
	DRFT: LZ 2018.10.08	REV: D0-1	SHEET: 1/2	
		DRAWING NO.: XXXXXXXX-XX-CXX	SCALE: 1:1	DO NOT SCALE DRAWING

REVISION RECORD

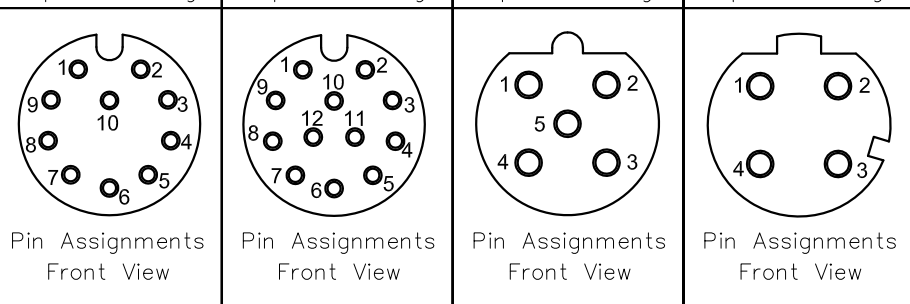
REV	ECN	DESCRIPTION	DRFT	DATE
-----	-----	-------------	------	------



NOTES:

- Rated voltage/current : 10pin A: 30V / 1.5A
12pin A: 30V / 1.5A
5pin B: 60V / 4A
4pin D: 250V / 4A
- Withstanding voltage : 10,12pin: AC500V/1Min
5pin B: AC1120V/1Min
4pin D: AC1500V/1Min
- Levels of protection: IP68
- Cable specifications :
10pin A: 10C*26AWG/0.14mm²,UL2517/UL20549
12pin A: 12C*26AWG/0.14mm²,UL2517/UL20549
5pin B: 5C*22AWG/0.34mm²,UL2517/UL20549
4pin D: 4C*22AWG/0.34mm²,UL2517/UL20549
- Wire connection mode: soldering
- Operating temperature: PVC Cable: -25°C~+85°C
PUR Cable: -25°C~+80°C
- RoHS Compliance

10pin A Coding	12pin A Coding	5pin B Coding	4pin D Coding
----------------	----------------	---------------	---------------



Pin	Wire Color	Pin	Wire Color	Pin	Wire Color	Pin	Wire Color
10	Violet	12	Red/Blue				
9	Red	11	Grey/Pink				
8	Grey	9	Violet				
7	Black	8	Red				
6	Yellow	7	Grey				
5	Pink	6	Black	5	Grey		
4	Green	5	Yellow	4	Black	4	Black
3	White	4	Pink	3	Blue	3	Blue
2	Blue	3	Green	2	White	2	White
1	Brown	2	White	1	Brown	1	Brown
Pin	Wire Color	Pin	Wire Color	Pin	Wire Color	Pin	Wire Color
Pin Out		Pin Out		Pin Out		Pin Out	

PM-M12X-XXP-FF-SL8XXX-00A(H)

Coding: A,B,D

Pin number: 03,04, 05,06,08, 10,12

Cable jacket:
A: PVC UL2517;
B: PUR UL20549

Cable length L:
01: 1M
...
99: 99M
The line grows business trip:
01~05m: ± 50mm
06~10m: ± 100mm
11~30m: ± 200mm
31~99m: ± 500mm

DETACHED LISTS	PART NO.: PMM12XXXPFSL8XXX00AH	宁波高松电子有限公司 NINGBO DEGSON ELECTRICAL CO., LTD		
	APPD:	NAME: PM-M12X-XXP-FF-SL8XXX-00A(H)		
	CHKD:	TITLE: CUSTOMER DRAWING		
	DRFT: LZ 2018.10.08	REV: D0-1	SHEET: 2/2	
		DRAWING NO.: XXXXXXXX-XX-CXX	SCALE: 1:1	
THIRD ANGLE PROJECTION		DO NOT SCALE DRAWING		

X-ON Electronics

Largest Supplier of Electrical and Electronic Components

Click to view similar products for [Specialised Cables category](#):

Click to view products by [Degson manufacturer](#):

Other Similar products are found below :

[GP-IE515546DS-002](#) [96CB-L2020PIB2](#) [1200740161](#) [R7ACAB003S](#) [R88ACAKA0015SRE](#) [R88ACAWL005SDE](#) [R88ACRGB010C](#)
[R88ACRGD0R3C](#) [R88ACRGD0R3CBS](#) [R88ACRKA020CRE](#) [1300660201](#) [1971465-2](#) [22733-8](#) [2R7004A20F060](#) [SSL009PC2DC012N](#)
[FC2A-KC6C](#) [FZVS415M](#) [CCSFCBF2](#) [R7ACAB005S](#) [R88ACAGD003SRE](#) [R88ACAGE005BRE](#) [R88ACAKE003SRE](#) [R88ACAKE005SRE](#)
[R88ACAKE010SRE](#) [R88ACRKM010SRE](#) [R88AFIK222RE](#) [XS2WM12PUR4SA10M](#) [XS2WM12PVC4SA10M](#) [05AU05](#) [UCABLE](#)
[10114734-2010LF](#) [R88ACRKC015NRE](#) [XW2Z010H3](#) [XW2Z010H1](#) [5-1589827-8](#) [861084-1](#) [XW2Z200JB24](#) [CR4000A76M020](#)
[1300140039](#) [CR4000A76M005](#) [CR4006A76M005](#) [10077488-N0550FDLF](#) [XW2ZRY150C](#) [I4JPBJLUXX100](#) [I4JPBJLUXX50](#) [CM06W](#)
[CM08](#) [POE004](#) [0243 009 05](#) [0243 009 20](#)