



SMN-BA SMW-BA

Pressurised breather caps

with double valve and bayonet assembly, steel



Main specifications

Material

- Cover: steel sheet, with chrome plating superficial treatment.
- Flange: zinc-plated steel sheet.
- Bayonet and flange with bayonet: zinc-plated steel sheet.

Packing rings

- SMN.46: two flat packing rings in rubber-impregnated cork and one in NBR synthetic rubber.
- SMN.80 SMW.80: three flat packing rings in rubber-impregnated cork.

Overpressure valve *(only for SMW-BA)*

Technopolymer with NBR synthetic rubber O-ring and stainless steel spring. Set at around 0.350 bar (0.700 bar on request).

Suction valve *(only for SMW-BA)*

Technopolymer sealing disk with NBR synthetic rubber O-ring and stainless steel spring. Set at around 0.030 bar.

Ring-shaped air filter

Tech-foam 40 µ.

Filter setting spring *(only for SMN-BA)*

Zinc-plated steel.

Filtration basket

Electro zinc-plated steel, degree of filtration 800 µ.

Safety chain *(only for SMN.80-BA/SMW.80-BA)*

Brass

Standard executions

- **SMN-BA**: breather cap.
- **SMW-BA**: double-valve breather cap.

Mounting

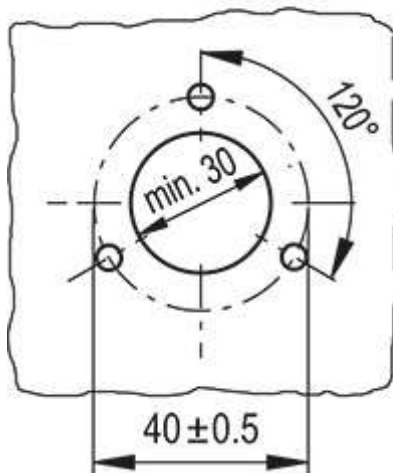
- SMN.46: by means of three glossy zinc-plated steel screws with screwdriver slot head M5x12, supplied.
- SMN.80 SMW.80: by means of six glossy zinc-plated steel screws with screwdriver slot head M5x12, supplied.

Maximum continuous working temperature

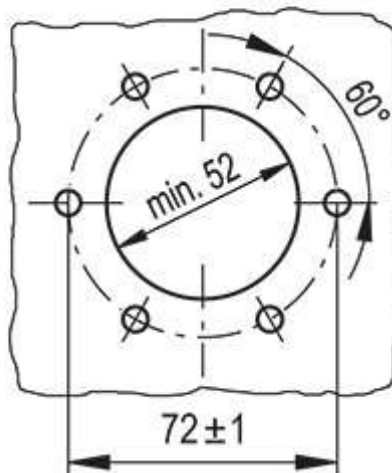
100°C.

Drilling templates

SMN.46



SMN.80



General information

Features and applications

Double-valve breather caps SMW.BA with bayonet assembly creates a pressure plenum chamber right above the oil level within given limit conditions in order to avoid any reservoir deformation.

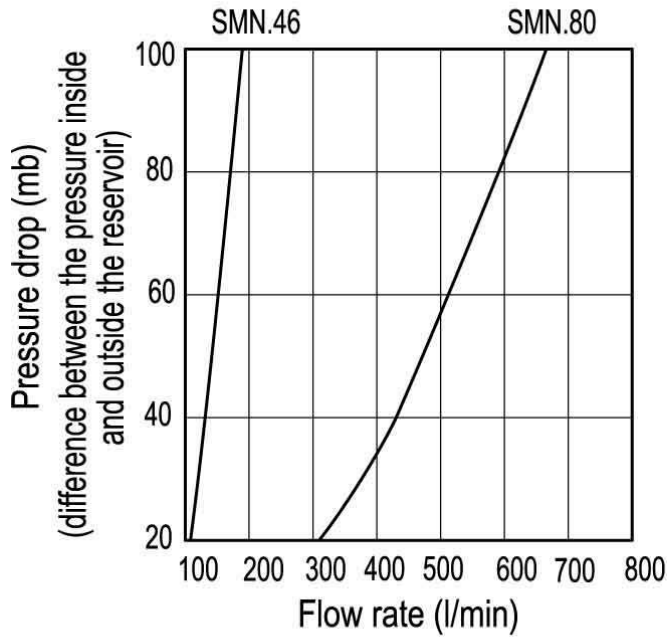
Advantages:

- it reduces reservoir air volume intake keeping clean fluid and filter;
- it improves suction pump action under working conditions reducing cavitation phenomenon;
- it prevents fluid leakage when the system is part of a mobile unit;
- it reduces foam in fluid.

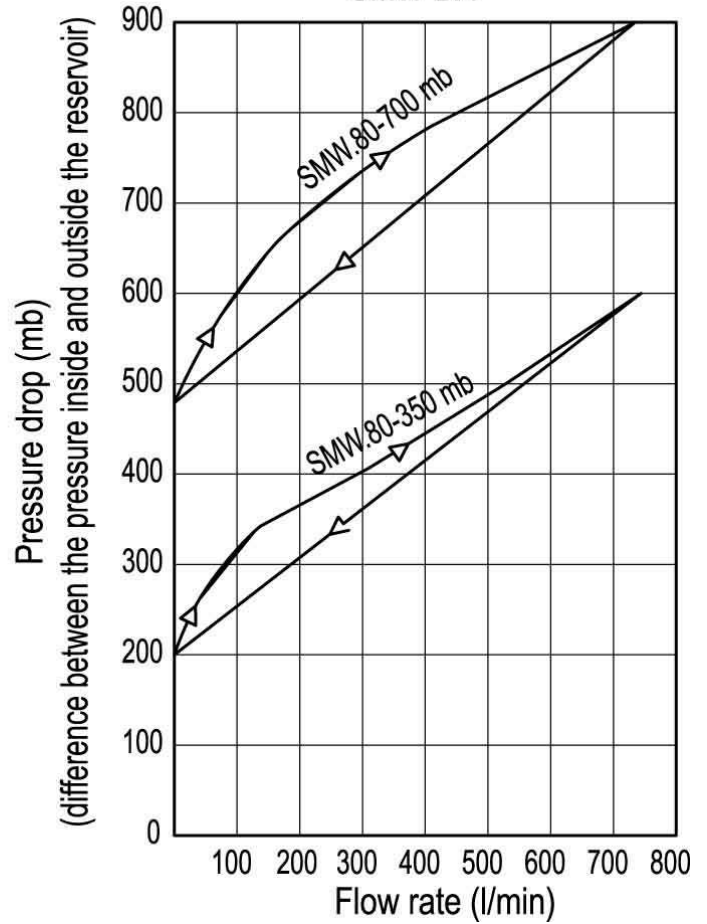
Technical data

Air flow rate for the different executions of breather caps can be obtained from the diagram on the basis of the difference of air pressure inside and outside the reservoir. Tests carried out without filtration basket.

SMN-BA

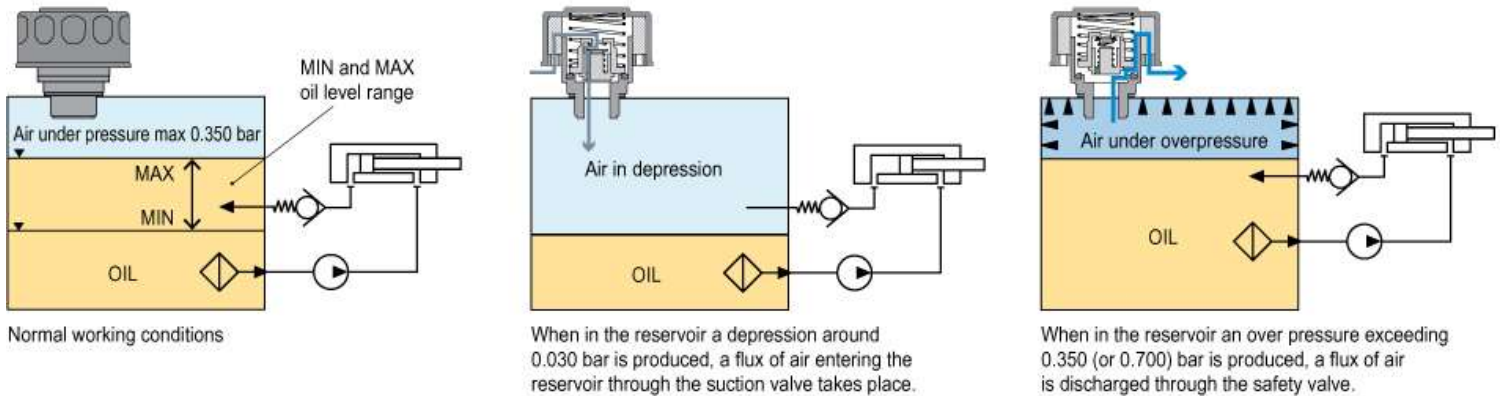


SMW-BA



Working in an hydraulic circuit

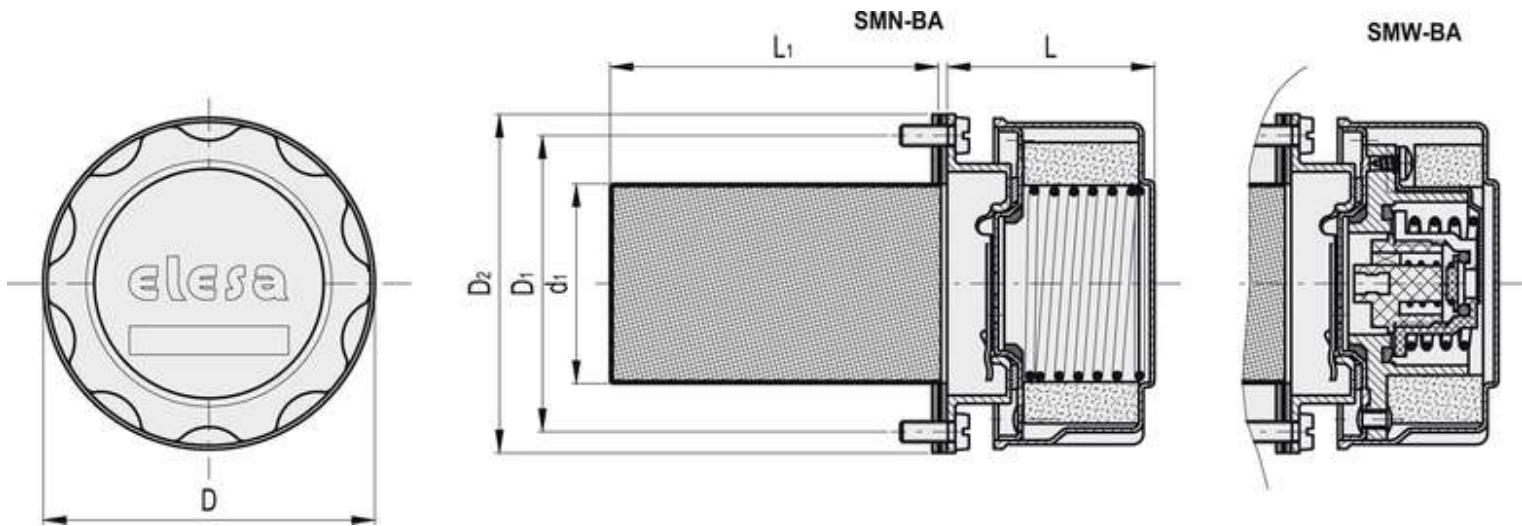
SMW-BA pressurised breather cap functioning in a hydraulic circuit



Special executions

Special executions on request

With dipstick for fluid level indication (only for SMW-BA).



SMN-BA - SMW-BA

Code	Description	D	D ₁	D ₂	L	L ₁	d ₁	Weight
156836	SMN.46-BA-F40	47	40	52	42	66	27	91
156886	SMN.80-BA-F40	81	72	83	55	80	49	370

SMN-BA - SMW-BA

Code	Description	D	D ₁	D ₂	L	L ₁	d ₁	Weight
156986	SMW.80-BA-F40-350mb	81	72	83	55	80	49	410

X-ON Electronics

Largest Supplier of Electrical and Electronic Components

Click to view similar products for [Mounting Fixings](#) category:

Click to view products by [Elesa & Ganter](#) manufacturer:

Other Similar products are found below :

[5912235-2](#) [007310](#) [007541](#) [6-141-P](#) [620HA038NF09](#) [620HA038NF11](#) [CTJ420E028-513](#) [M81714/60-12-01](#) [M81714/60-22-01](#) [L/C](#)
[MA1EAF1200](#) [70-584649-01P](#) [71-074914-006](#) [71-215091-8S](#) [712HA170B23128-N](#) [71-344699-4S](#) [71-441549-19S](#) [71-441864-5S](#) [71-](#)
[490451-4H](#) [EX-13-3-B-16-325PN](#) [75-69116-8S](#) [75-69211-3P](#) [75-69220-27S](#) [75-69224-5S](#) [75-69614-2S](#) [770-006A109](#) [770-006A109R](#) [770-](#)
[006A207](#) [770-006A208W1](#) [770-006A209](#) [770-006A306](#) [770-006A703W1](#) [770-006A704](#) [770-006A704W1](#) [770-006A705](#) [770-006A706](#)
[770-006A706W1](#) [770-006A707](#) [770-006A709](#) [770-007A203](#) [770-007A203W1](#) [770-007A204W1](#) [770-007A207W1](#) [770-007A703](#) [770-](#)
[007A704W1](#) [770-007A706](#) [770-007A707W1](#) [770-010Y208](#) [770-010Y308](#) [770-010Y705](#) [770-010Y706](#)