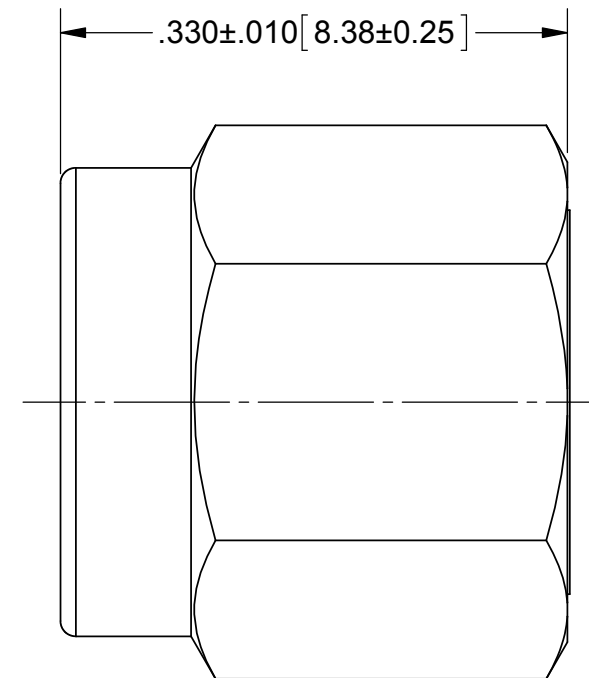
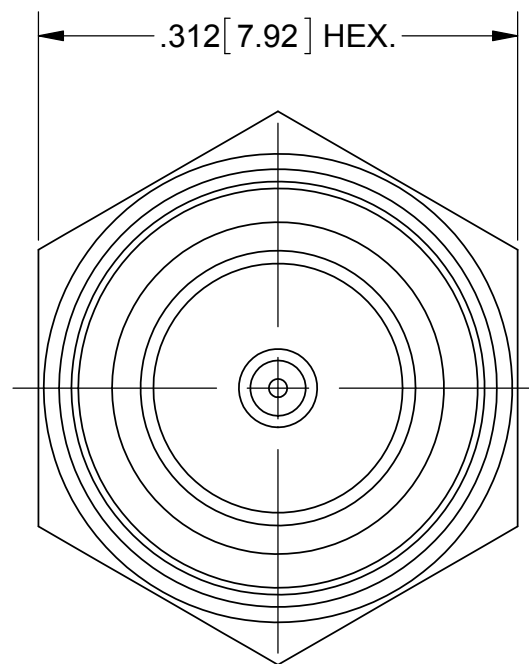
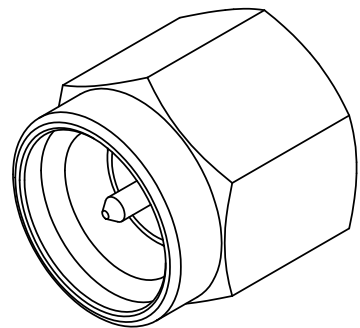


PRODUCT DATA DRAWING

REVISION HISTORY			
REV	DESCRIPTION	DATE	APPROVED
A	DCN 41827	11/15	DAL



MATERIAL:

- BODY & COUPLING NUT: STAINLESS STEEL PER AMS-5640, ALLOY UNS S30300, TYPE 1
- LOCK RING & CONTACT: BERYLLIUM COPPER PER ASTM B196, ALLOY No. UNS C17300, TD04
- INSULATOR: PTFE PER ASTM D1710, TYPE I, GRADE 1, CLASS B
- GASKET: SILICONE RUBBER PER A-A-59588, CLASS 2B, GRADE 60/70
- RESISTOR ELEMENT: ALUMINA SUBSTRATE WITH NICHROME RESISTOR

FINISH:

- COUPLING NUT: GOLD PER MIL-DTL-45204, TYPE I, GRADE C, CLASS 1.27, OVER NICKEL PER SAE-AMS-2404, CLASS 1, .00005" MIN.
- BODY & CONTACT: GOLD PER ASTM B488, TYPE II, CODE C, CLASS 1.27, OVER NICKEL PER AMS-QQ-N-290, CLASS 1, .00005" MIN.

PERFORMANCE:

- IMPEDANCE: 50 OHMS
- FREQ. RANGE: DC TO 18.0 GHZ.

MATERIAL: SEE NOTES	DIMENSIONS ARE IN INCHES TOLERANCES: FRACTIONAL: ±1/64 ANGULAR: X° ±1'0" X°X' ±15'	UNLESS OTHERWISE SPECIFIED 1) ALL DIMENSIONS ARE IN INCHES (MILLIMETERS) 2) ALL DIMENSIONS ARE AFTER PLATING. 3) BREAK CORNERS & EDGES .005 R. MAX. 4) CHAM. 1ST & LAST THREADS. 5) SURFACE ROUGHNESS 63-MIL-STD-10. 6) DIA.'S ON COMMON CENTERS TO BE CONCENTRIC WITHIN .005 T.I.R. 7) REMOVE ALL BURRS	 2400 Centrepark West Drive, Suite 100 West Palm Beach, FL 33409
FINISH: SEE NOTES	DECIMAL: X ±.030 .XX ±.010 .XXX ±.005		
SURFACE AREA: N/A	INTERPRET DIMENSIONS AND TOLERANCES PER ASME Y14.5M - 1994	DRAWN: DC 06/16/89 CHECKED: RG 06/19/89 APPROVED: DAL 11/02/15	TITLE: SMA ST. PLUG 1 WATT TERMINATION
PROPRIETARY THE INFORMATION CONTAINED IN THIS DRAWING IS THE SOLE PROPERTY OF SV MICROWAVE, INC. ANY REPRODUCTION IN PART OR AS A WHOLE WITHOUT THE WRITTEN PERMISSION OF SV MICROWAVE, INC IS PROHIBITED.	THIRD ANGLE PROJECTION 		SIZE: B CAGE CODE: 95077 DWG. NO.: M39030/3-12 SCALE: 8:1 SHEET 1 OF 1

X-ON Electronics

Largest Supplier of Electrical and Electronic Components

Click to view similar products for [RF Terminators](#) category:

Click to view products by [Amphenol](#) manufacturer:

Other Similar products are found below :

[M39030/3-09S](#) [9620-9003-151](#) [R404105000](#) [M39030/3-01S](#) [M39030/3-11N](#) [M39030/3-11S](#) [TNA2-50](#) [R404280000](#) [R4042N5000](#) [32S17B-1.0E3](#) [28S1ER-001N5](#) [NF-C-1\(40\)](#) [53S1RR-001N3](#) [142275](#) [56S1RR-001N4](#) [18S15R-0.5E3](#) [32K17R-001E3](#) [65_BNC-50-0-7/133_NE](#) [71S1RR-001N4](#) [6500.19.A](#) [R404240120](#) [HT-50-1\(40\)](#) [NF-A-PJ-1\(40\)](#) [R404260000](#) [NF-TMJ-P\(50\)](#) [HT-10-2](#) [000-1075](#) [DCA-17-01](#) [27-9245](#) [R4041D1000](#) [1-221629-6](#) [SF8015-6007](#) [R4041D2121](#) [R4041D2000](#) [R4041D1121](#) [65010_N-50-1/199_NE](#) [65_N-75-0-11/133_NE](#) [SF8016-6404](#) [CT3367](#) [65_716-50-0-3/003_-E](#) [65_BNC-50-0-2/133_NE](#) [6560.41.AA](#) [65_QMA-50-0-4/111_NE](#) [65_N-50-0-1/133_NE](#) [65002_N-50-1/122_NE](#) [65_MMCX-50-0-31/111_OE](#) [65_SMB-50-0-31/111_NE](#) [65_BNC-50-0-6/113_NE](#) [18K15R-0.5E3](#) [2702702](#)