



<b>DATA SHEET</b>	53016010
<b>SKINTOP® ST NPT / STR NPT</b>	valid from: 26.02.2016

The SKINTOP® ST NPT / STR NPT is a plastic cable gland with NPT connecting thread. It is designed for universal use, above all for functional safety in manufacturing of machines and equipment, in measurement and control technology and automation technology, as well as in the electronic technology and in manufacturing of robots.



**Component parts:**

Gland body	Polyamide (UL 94/V2)
Cap nut	Polyamide (UL 94/V2)
Sealing ring	CR

**Technical features:**

Connecting thread	NPT 3/8" up to NPT 1" acc. to ANSI/ASME B 1.20.1-1983
Functional thread	Multi-start trapezoidal thread
Protection class / NEMA Type Rating	IP68 - 5 bar, test acc. to EN 60529 NEMA Type 1 und Type 12
Strain relief	According to DIN VDE 0619
Temperature range	-20 °C up to +80 °C
Colour	RAL 7001 silver-grey RAL 9005 black, UV-resistant
Design	ST NPT: Standard STR NPT: with reducing sealing ring

**Approvals:**



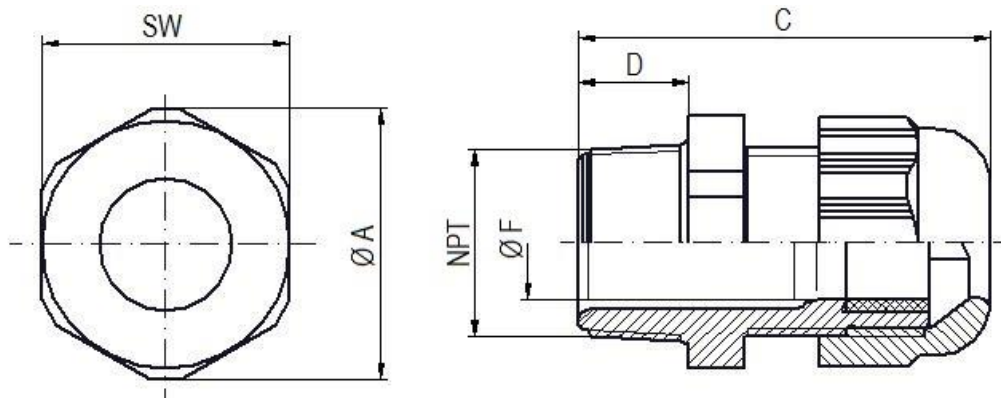
UL File Nr. E79903

**Norm references:**



For more information please see our current catalogue.

<b>DATA SHEET</b>	53016010
<b>SKINTOP® ST NPT / STR NPT</b>	valid from: 26.02.2016



### SKINTOP® ST NPT

NPT	SW [mm]	Ø A [mm]	C [mm]		D [mm]	Ø F [mm] Clamping range	Article No.	
			min.	max.			RAL 7001	RAL 9005
NPT 3/8"	19	21,1	35,5	43,0	15	3,5 – 8	53016010	53016210
NPT 1/2"	24	26,5	38,0	47,0	15	5 – 12	53016030	53016230
NPT 3/4"	33	36,2	43,5	53,0	15	13 – 18	53016050	53016250
NPT 1"	42	46,3	48,0	60,0	15	14 – 25	53016060	53016260

### SKINTOP® STR NPT

NPT	SW [mm]	Ø A [mm]	C [mm]		D [mm]	Ø F [mm] Clamping range	Article No.	
			min.	max.			RAL 7001	RAL 9005
NPT 3/8"	19	21,1	35,5	43,0	15	2 – 6	53016110	53016310
NPT 1/2"	24	26,5	38,0	47,0	15	4 – 9	53016130	53016330
NPT 3/4"	33	36,2	43,5	53,0	15	9 – 16	53016150	53016350

#### Recommended torque rates:

Size	Torque [Nm]
NPT 3/8"	3,75
NPT 1/2"	3,75
NPT 3/4"	7,5
NPT 1"	7,5

## X-ON Electronics

Largest Supplier of Electrical and Electronic Components

*Click to view similar products for [Cable Glands, Strain Reliefs & Cord Grips](#) category:*

*Click to view products by [Lapp Kabel](#) manufacturer:*

Other Similar products are found below :

[120-116-1-1-20BP](#) [120-116-1-1-32BE](#) [120-117-40](#) [120-123-14](#) [120-123-16](#) [120-125-16](#) [120-125-16R](#) [120-125-16Y](#) [120-125-24Y](#) [120-125-28](#) [120-125-28R](#) [120-125-32](#) [120-125-32R](#) [120-125-40](#) [120-125-56](#) [120-126-14](#) [120-126-16](#) [120-126-20](#) [120-126-20BL](#) [120-126-20R](#) [120-126-24](#) [120-126-28](#) [120-126-32](#) [120-126-40BL](#) [120-116-1-1-06BP-509](#) [120-116-1-1-06CP](#) [120-116-1-1-16BE](#) [120-116-1-1-28BP](#) [120-123-20](#) [120-123-24](#) [120-123-32](#) [120-125-20](#) [120-125-20Y](#) [120-125-24](#) [120-125-24R](#) [120-125-28Y](#) [120-126-14BL](#) [120-126-16R](#) [120-126-16Y](#) [120-126-24BL](#) [120-126-28BL](#) [120-126-32BL](#) [120-126-40](#) [120-126-48](#) [120-126-48BL](#) [1300980012](#) [1300980105](#) [DBZM-6828](#) [1498](#) [15190-103 R2](#)