




Product information STAK 3 N grau/grey

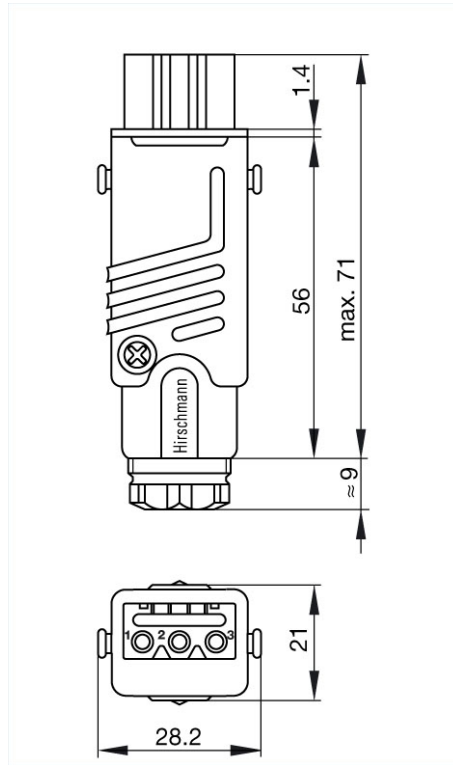
Industrial Connecting Solutions:Rectangular Connectors:Power Connectors (ST series):Cable socket:STAK 3 N grau/grey

<http://www.e-catalog.beldensolutions.com/link/57078-24228-256261-24351-24352-35733/en/conf/ui/state>

| | |
|--|---|
| Name | STAK 3 N grau/grey |
| |  |
| | Cable socket with strain relief |
| Delivery informations | |
| Availability | available |
| Product description | |
| Description | Cable socket with strain relief |
| Type | STAK 3 N grau/grey |
| Order No. | 932 140-106 |
| Type of contact | female |
| Number of contacts | 3 + PE |
| Cable gland | PG 11 |
| Cable diameter | 6 mm to 10 mm |
| Conductor size | max. 1.5 mm ² |
| Housing Color | grey |
| Contact bearer color | black |
| Technical data | |
| Pin dimensions | 2 mm |
| Rated voltage | AC 400 V / DC 250 V |
| Rated current | DC 10 A / AC 16 A |
| Contact resistance | <= 5 mOhm |
| Type of termination | screw |
| Material | |
| Contact material | Cu Zn |
| Contact surface material | Sn |
| Contact bearer material | PA |
| Housing material | PA |
| Environmental conditions | |
| Protection class (IEC 60529) | IP 54 |
| Pollution severity | 3 |
| Temperature range | -30 °C to +90 °C |
| Inflammability class | |
| Housing | UL 94 HB |
| Contact bearer | UL 94 V-0 |
| Approvals | |
| UL | UL |
| VDE | VDE |
| SEV | SEV |
| Packing unit | |
| Packaging unit | 100 pieces |
| Scope of delivery and accessories | |
| Accessories to order separately | safety brackets STASI 3, order no. 732 045-001 |

Picture

Drawing



Belden Deutschland GmbH

Im Gewerbepark 2

58579 Schalksmühle

Germany

Phone: +49 7127/14-1806

E-Mail: icos-sales@belden.com

The information published in the websites has been compiled as carefully as possible. It is subject to alteration without notice in technical as well as in price-related/commercial respect. The complete information and data were available on user documentation. Mandatory information can only be obtained by a concrete query.

X-ON Electronics

Largest Supplier of Electrical and Electronic Components

Click to view similar products for [Standard Circular Connector](#) category:

Click to view products by [Hirschmann](#) manufacturer:

Other Similar products are found below :

[C015](#) [10F006](#) [001](#) [1](#) [5M2530B10P](#) [600247N007](#) [600259N006](#) [6280-2PG-519](#) [6280-3PG-311](#) [6280-3SG-311](#) [6280-7SG-3DC](#) [6280-7SG-522](#)
[6282-2SG-321](#) [6282-5PG-311](#) [6282-6PG-519](#) [6283-11](#) [6283-15](#) [6290](#) [6293](#) [6382-2PG-311](#) [6382-2SG-321](#) [6382-2SG-3DC](#) [6382-4SG-516](#)
[67-03E20-37P](#) [680-SMG](#) [681-PMG](#) [CXS3102A14S2P](#) [CXS3102A181S](#) [D38999/20FC8SA L/C](#) [MB12P-1](#) [MB12R-6](#) [7251-2PG-300](#) [7251-](#)
[2SG-300](#) [7251-4PG-300](#) [7251-4SG-300](#) [7251-5PG-300](#) [7251-5SG-300](#) [7251-6SG-300](#) [7251-7PG-300](#) [7251-8PG-300](#) [7271-6SG-300](#) [7282-](#)
[3PG-300-CH3](#) [7282-8PG-3ES](#) [73000005663](#) [75-190216-08S](#) [75-190218-10P](#) [75-190614-07S](#) [75-214636-52P](#) [75-474118-10P](#) [75-474211-](#)
[03P](#) [75-474218-19S](#) [75-474618-01S](#) [75-474620-07P](#)