



Product information STAK 5 grau/grey

Industrial Connecting Solutions:Rectangular Connectors:Power Connectors (ST series):Cable socket:STAK 5 grau/grey

<http://www.e-catalog.beldensolutions.com/link/57078-24228-256261-24351-24352-35737/en/conf/ui/state>

Name STAK 5 grau/grey



Cable socket with strain relief, not assembled with additional contacts and gasket

Delivery informations

Availability available

Product description

Description Cable socket with strain relief,
not assembled with additional contacts and gasket

Type STAK 5 grau/grey

Order No. 931 691-106

Type of contact female

Number of contacts 5 + PE

Cable gland PG 11

Cable diameter 8 mm to 10 mm

Conductor size max. 1 mm²

Housing Color grey

Contact bearer color black

Technical data

Pin dimensions 1.6 mm

Rated voltage AC 400 V / DC 250 V

Rated current DC 10 A / AC 6 A

Contact resistance <= 10 mOhm

Type of termination crimp

Material

Contact material Cu Zn

Contact surface material Ag

Contact bearer material PA

Housing material PA

Environmental conditions

Protection class (IEC 60529) IP 54

Pollution severity 3

Temperature range -30 °C to +90 °C

Inflammability class

Housing UL 94 HB

Contact bearer UL 94 V-0

Approvals

VDE VDE

SEV SEV

Packing unit

Packaging unit 100 pieces

Scope of delivery and accessories

Accessories to order separately safety brackets STASI 3,
order no. 732 045-001



HIRSCHMANN

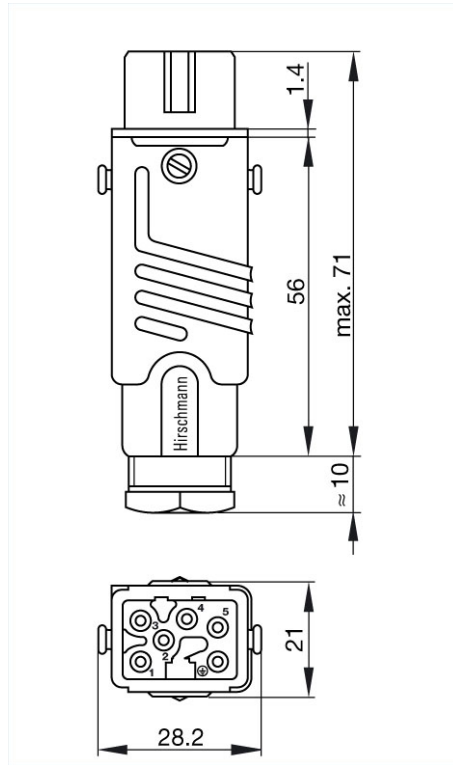
A Belden Brand

Industrial Connecting Solutions: Rectangular Connectors: Power Connectors (ST series): Cable socket: STAK 5 grau/grey

<http://www.e-catalog.beldensolutions.com/link/57078-24228-256261-24351-24352-35737/en/conf/ui/state>

Picture

Drawing



Belden Deutschland GmbH

Im Gewerbepark 2

58579 Schalksmühle

Germany

Phone: +49 7127/14-1806

E-Mail: icos-sales@belden.com

The information published in the websites has been compiled as carefully as possible. It is subject to alteration without notice in technical as well as in price-related/commercial respect. The complete information and data were available on user documentation. Mandatory information can only be obtained by a concrete query.

X-ON Electronics

Largest Supplier of Electrical and Electronic Components

Click to view similar products for [Standard Circular Connector](#) category:

Click to view products by [Hirschmann](#) manufacturer:

Other Similar products are found below :

[C015](#) [10F006](#) [001](#) [1](#) [5M2530B10P](#) [600247N007](#) [600259N006](#) [6280-2PG-519](#) [6280-3PG-311](#) [6280-3SG-311](#) [6280-7SG-3DC](#) [6280-7SG-522](#)
[6282-2SG-321](#) [6282-5PG-311](#) [6282-6PG-519](#) [6283-11](#) [6283-15](#) [6290](#) [6293](#) [6382-2PG-311](#) [6382-2SG-321](#) [6382-2SG-3DC](#) [6382-4SG-516](#)
[67-03E20-37P](#) [680-SMG](#) [681-PMG](#) [CXS3102A14S2P](#) [CXS3102A181S](#) [D38999/20FC8SA L/C](#) [MB12P-1](#) [MB12R-6](#) [7251-2PG-300](#) [7251-](#)
[2SG-300](#) [7251-4PG-300](#) [7251-4SG-300](#) [7251-5PG-300](#) [7251-5SG-300](#) [7251-6SG-300](#) [7251-7PG-300](#) [7251-8PG-300](#) [7271-6SG-300](#) [7282-](#)
[3PG-300-CH3](#) [7282-8PG-3ES](#) [73000005663](#) [75-190216-08S](#) [75-190218-10P](#) [75-190614-07S](#) [75-214636-52P](#) [75-474118-10P](#) [75-474211-](#)
[03P](#) [75-474218-19S](#) [75-474618-01S](#) [75-474620-07P](#)