

DWG. NO.

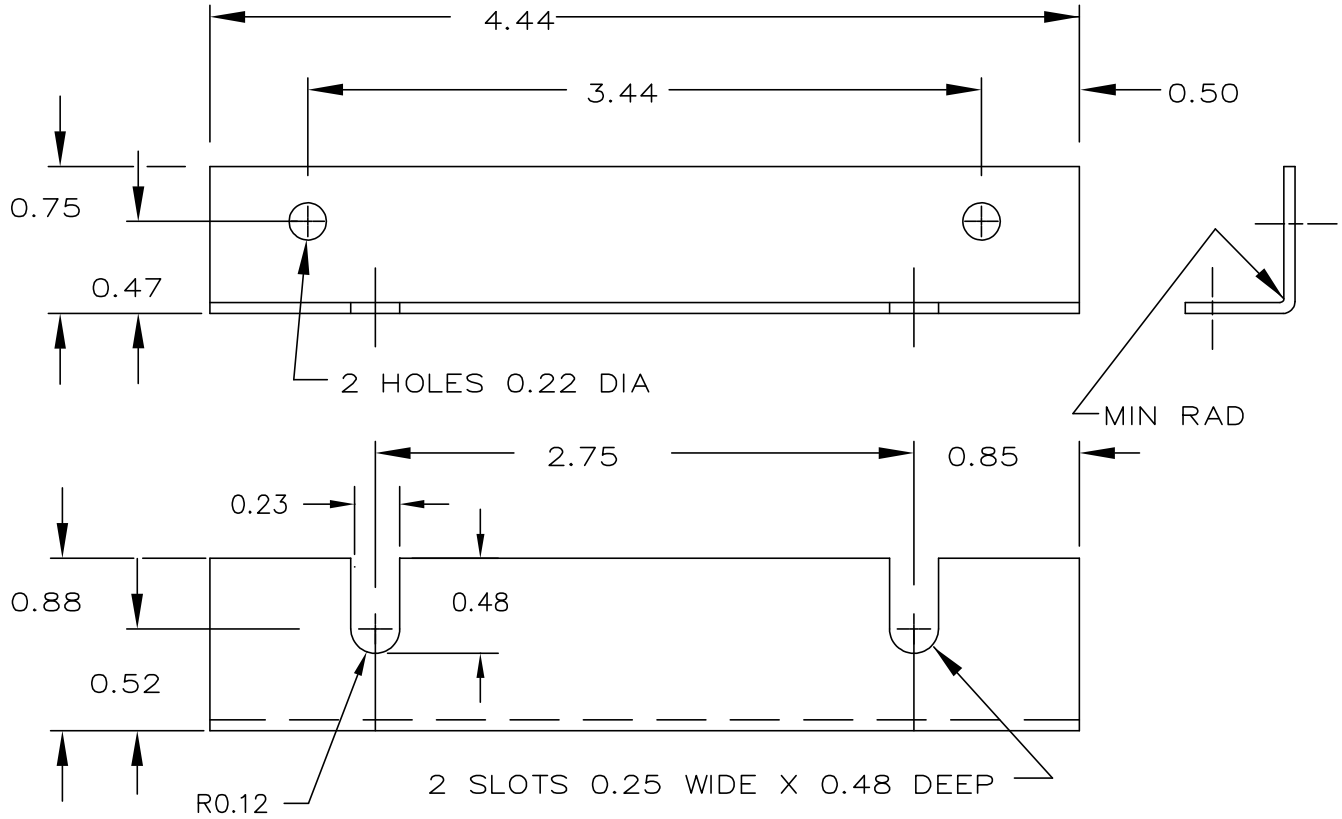
1321A00044

ISSUE  
F

REV.

C: REDRAWN-REV  
NOTE 2  
JC 12/7/88

D: REDRAWN TO CAD,  
CHANGE NOTE 2  
FROM ZINC II W/ YEL  
CHROMATE FILM.  
JTW MAY 11/98



NOTES:

1. MATERIAL: 16 GA GALVANIZED STEEL ASTM A653
2. BREAK ALL SHARP CORNERS.

E: SEE ECO #1110450 JSW 5/1/02  
F: SEE ECO #1112852 1/24/05 JSW  
G: CHANGED 0.25 TO 0.23. 5/24/06 JTR  
R



Instrument Transformers, Inc.  
P.O. BOX 7180, Clearwater, FL, 33758

MATERIAL	TOLERANCE	DRAWN	DATE	TITLE	BRACKET - MODEL 7SH	
NOTED	2 PL DEC.±0.01 3 PL DEC.±	JC	12/7/88	DWG. NO.	1321A00044	ISSUE
SCALE FULL	SHEET 1 OF 1	PAGON	12/7/88			G

## **X-ON Electronics**

Largest Supplier of Electrical and Electronic Components

*Click to view similar products for [INSTRUMENT TRANSFORMER](#) manufacturer:*

Other Similar products are found below :

[INSTRUMENT TRANSFORMER](#)