

## SKINTOP® STR

SKINTOP® STR, increased oil-resistant polyamide cable gland with wide, variable clamping ranges and reducing seal insert



Variety of approval certifications



Temperature-resistant



Optimum strain relief



Mechanical resistance



Good chemical resistance

### Benefits

High oil-resistance for maximum reliability  
Permanent vibration protection  
Optimum strain relief  
Wide, variable clamping ranges  
Various accessories (e.g. multiple sealing inserts)

### Application range

With reducing seal insert, to seal cables with smaller outer diameters.

### Norm references / Approvals

UL File Nr. E79903

### Product Make-up

PG connection thread

Last Update (16.04.2018)

©2018 Lapp Group - Technical changes reserved

Product Management [www.lappkabel.de](http://www.lappkabel.de)

You can find the current technical data in the corresponding data sheet.

PN 0456 / 02\_03.16

## SKINTOP® STR

### Note

Refer to SKINTOP® PG accessories for suitable accessories  
Counter nut to be used: SKINTOP® GMP-GL

### Technical Data

Classification ETIM 5:	ETIM 5.0 Class-ID: EC000441 ETIM 5.0 Class-Description: Cable screw gland
Classification ETIM 6:	ETIM 6.0 Class-ID: EC000441 ETIM 6.0 Class-Description: Cable screw gland
Caution:	Refer to Appendix T21 for the installation dimensions and torques
Colour delivered:	Silver grey (RAL 7001) Light grey (RAL 7035) Black (RAL 9005), UV-resistant
Material:	Body: Polyamide Seal: CR
Tests:	GGVS: TÜ.EGG.020-95
Protection rating:	IP 68 - 5 bar
Temperature range:	Dynamic: -20°C up to +80°C Fixed: -40°C to +100°C

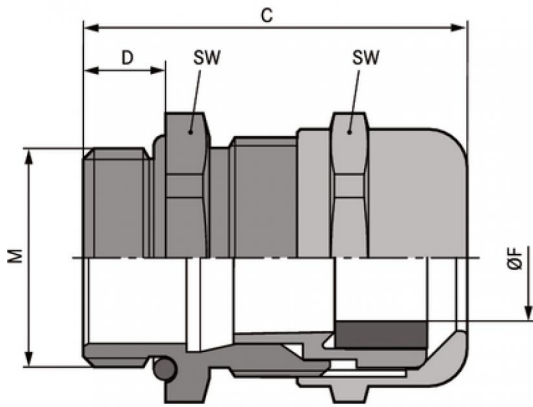
### Note

Photographs and graphics are not to scale and do not represent detailed images of the respective products.  
Prices are net prices without VAT and surcharges. Sale to business customers only.

Article number	Article designation / size	Clamping range ØF (mm)	SW wrench size mm	Overall length, C (mm)
SKINTOP® STR silver grey				
53015100	PG 7	1.5 - 5	15	32.0
53015110	PG 9	2 - 6	19	36.0
53015120	PG 11	2 - 7	22	38.0
53015130	PG 13,5	4 - 9	24	41.0
53015140	PG 16	6 - 12	27	44.0
53015150	PG 21	9 - 16	33	49.0
53015160	PG 29	11 - 20	42	56.0
53015170	PG 36	17 - 26	53	66.0
53015180	PG 42	22 - 31	60	68.0
53015190	PG 48	26 - 35	65	69.0
SKINTOP® STR black				
53015300	PG 7	1.5 - 5	15	32.0
53015310	PG 9	2 - 6	19	36.0
53015320	PG 11	2 - 7	22	38.0
53015330	PG 13,5	4 - 9	24	41.0
53015340	PG 16	6 - 12	27	44.0
53015350	PG 21	9 - 16	33	49.0
53015360	PG 29	11 - 20	42	56.0
53015370	PG 36	17 - 26	53	66.0
53015380	PG 42	22 - 31	60	68.0
53015390	PG 48	26 - 35	65	69.0
SKINTOP® STR light grey				
53018100	PG 7	1.5 - 5	15	32.0
53018110	PG 9	2 - 6	19	36.0
53018120	PG 11	2 - 7	22	38.0
53018130	PG 13,5	4 - 9	24	41.0
53018140	PG 16	6 - 12	27	44.0
53018150	PG 21	9 - 16	33	49.0
53018160	PG 29	11 - 20	42	56.0
53018170	PG 36	17 - 26	53	66.0
53018180	PG 42	22 - 31	60	68.0
53018190	PG 48	26 - 35	65	69.0

Last Update (16.04.2018)  
 ©2018 Lapp Group - Technical changes reserved  
 Product Management www.lappkabel.de  
 You can find the current technical data in the corresponding data sheet.  
 PN 0456 / 02\_03\_16

## SKINTOP® STR



## X-ON Electronics

Largest Supplier of Electrical and Electronic Components

*Click to view similar products for [Cable Glands, Strain Reliefs & Cord Grips](#) category:*

*Click to view products by [Lapp Kabel](#) manufacturer:*

Other Similar products are found below :

[120-116-1-1-20BP](#) [120-116-1-1-32BE](#) [120-117-40](#) [120-123-14](#) [120-123-16](#) [120-125-16](#) [120-125-16R](#) [120-125-16Y](#) [120-125-24Y](#) [120-125-28](#) [120-125-28R](#) [120-125-32](#) [120-125-32R](#) [120-125-40](#) [120-125-56](#) [120-126-14](#) [120-126-16](#) [120-126-20](#) [120-126-20BL](#) [120-126-20R](#) [120-126-24](#) [120-126-28](#) [120-126-32](#) [120-126-40BL](#) [120-116-1-1-06BP-509](#) [120-116-1-1-06CP](#) [120-116-1-1-16BE](#) [120-116-1-1-28BP](#) [120-123-20](#) [120-123-24](#) [120-123-32](#) [120-125-20](#) [120-125-20Y](#) [120-125-24](#) [120-125-24R](#) [120-125-28Y](#) [120-126-14BL](#) [120-126-16R](#) [120-126-16Y](#) [120-126-24BL](#) [120-126-28BL](#) [120-126-32BL](#) [120-126-40](#) [120-126-48](#) [120-126-48BL](#) [1300980012](#) [1300980105](#) [DBZM-6828](#) [1498](#) [15190-103 R2](#)