

5

4

3

2

1

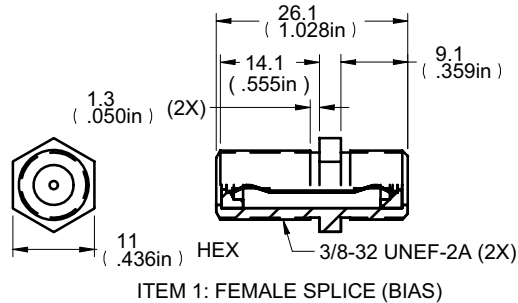
D



Description: "F" female to female adaptor
 Part No: VSF81G、VSF81G-B、VSF81G-NWV、SF81GB-NW
 Application: Adapter
 Crimp Tool: N/A
 Impedance: 75 Ohms
 Frequency Range: 0-2 GHz
 Material: Body Brass Nickel plated
 Contact Phosphor bronze Silver plated
 Insulator Polypropylene
 Nut Brass Nickel plated
 Washer Steel Nickel plated

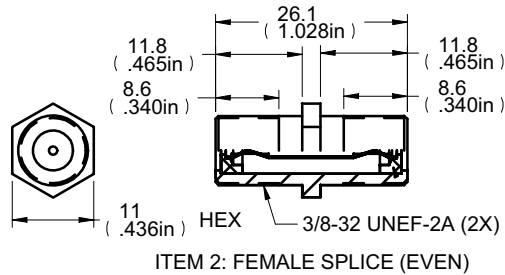
DRAWING NO.
VSF81G-SERIES-CUST
 REVISIONS
 OFFICIAL RELEASE
 01
 03-13-09 J J T T Thomas Chow

C



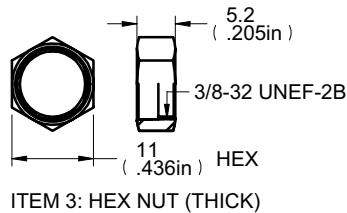
RoHS Compliance: N/A
 Technical Detail: Refer to Emerson Document P/N VS-F81G SERIES

B

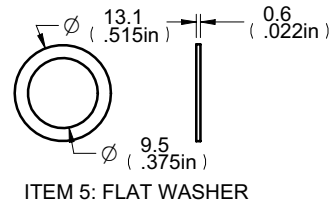
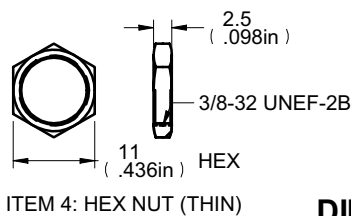


受控 CONTROLLED DOCUMENT					
编号 P/N	VSF81G-SERIES-CUST	版本 Rev	01	日期 Rel'd Date	Apr29,09

A



ITEM	DESCRIPTION	VSF81G	VSF81G-B	VSF81G-NW	VSF81GB-NW
1	FEMALE SPLICE (BIAS)	1		1	
2	FEMALE SPLICE (EVEN)		1		1
3	HEX NUT (THICK)				1
4	HEX NUT (THIN)			1	
5	FLAT WASHER			1	1



DIM OUTLINE

TOLERANCE UNLESS OTHERWISE SPECIFIED		DRAWN BY	DATE
		JEAN.JIN	03-13-09
DECIMALS	mm	CHECKED BY	DATE
X	± 0.5	TERRY.W	03-13-09
X.X	± 0.2	APPROVED BY	DATE
X.XX	± 0.1	THOMAS	03-16-09
ANGLES	± 0.5°	U/M	mm

CUSTOMER COPY

TITLE
"F" FEMALE TO FEMALE ADAPTER

THIS DRAWING WAS PRODUCED BY COMPUTER,
 DO NOT SCALE DRAWING OR UPDATE MANUALLY.

SHEET 1 OF 1	DRAWING NO. VSF81G-SERIES-CUST	SIZE A
-----------------	-----------------------------------	-----------

5

4

3

2

1

X-ON Electronics

Largest Supplier of Electrical and Electronic Components

Click to view similar products for [CINCH](#) manufacturer:

Other Similar products are found below :

[142-0693-101](#) [142-0761-851](#) [AD1300](#) [TNGMFL1-1-78](#) [73-7792-3](#) [CBBJR79A](#) [415-0003-MM150](#) [415-0003-MM250](#) [415-0027-MM750](#)
[415-0033-MM250](#) [415-0038-MM250](#) [415-0043-M1.5](#) [415-0081-MM150](#) [415-0081-MM200](#) [415-0030-MM150](#) [415-0032-MM500](#) [142-0721-882](#) [147-0801-801](#) [147-0901-821](#) [134-1000-027](#) [135-3711-202](#) [142-0711-202](#) [HP437](#) [415-0033-006](#) [1-150](#) [18-140-P](#) [21-160-L](#) [3/4W140](#)
[41G](#) [5-542](#) [50-12S-30-2](#) [50-50S-30-2](#) [DA-24658-31](#) [DCU-37P](#) [MDC-6P08](#) [S402DB](#) [S408DB](#) [TE-9PSH](#) [TE-9SSH](#) [TRWR-204](#) [TRWR-216](#)
[TRWR-403](#) [57-20360](#) [DA-15S-F179-P](#) [P-306H-CCT-P](#) [DBM25S](#) [P3333SB](#) [JA83383FK](#) [DCCM37S6E5-36.0B](#) [142-1701-121](#)