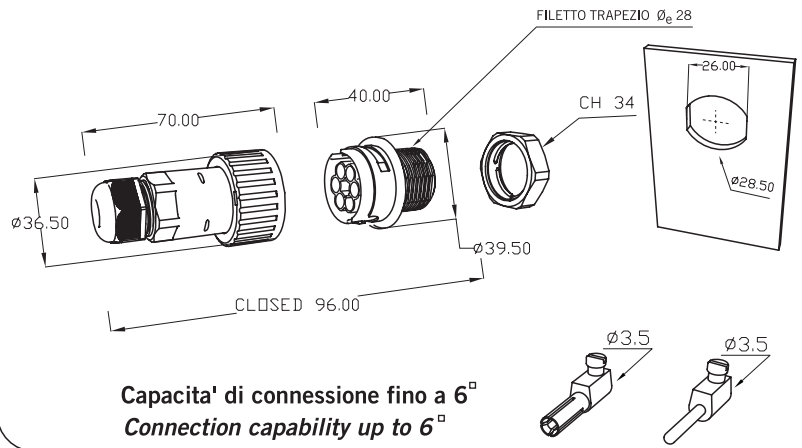




TH406

PATENTED IP68

2-3-5-6 Poli



Connessione presa- spina a parete 2-3-5-6 poli .Grado di protezione IP68
Facilita di cablaggio .Connessione a bussola o pin a crimpare oppure ibrida pin/bussola .Aggancio a ghiera.

2-3-5-6 poles plug-socket wall connection . IP68 protection.
Easy wiring. Pin crimp or bush connection, or hybrid pin crimp/bush.
Screwing clamp.

Dati tecnici - Technical data

IP68 0,5 BAR 5 MT 1 ORA

PTI 175

Min/Max \varnothing cavo - cable

$\varnothing 5 \div 14$ mm

Gommino doppio - double seal

Materie prime - Raw materials

Materia plastica - Plastics

PA66 UL94 V2 GWT 850°C

Nero - Black

-20°C

Grigio - Grey
RAL 7035

+125°C

Gomme - Rubbers

SILICONE - SEBS - TPE V

Bussole- Insert

Ottone nichelato

Ottone Argentato

AG= Silver plated brass

Acciaio zincato passivato

Zinc plated steel

Pin- Crimp

> Per pin cilindrici universali $\varnothing 2$

> For universal cylindric pin $\varnothing 2$

Codice - Part number

T H B . 4 0 6 . X X X

**2-3
Poli**



25A

Rated current

25A

Impulse withstand voltage

6KV

Range of temperature

0-125°C

Cable max

3G2,5^H07RN-F

Installation torque glands

Nm 2,5

Connessioni intercambiabili - Interchangeable connections

2 poli poles



PLUG

THB.406.A1G

Nero - Black

THB.406.A1G.AG

THB.406.A1H

Grigio - Grey

THB.406.A1H.AG

RAL 7035



POWER-SOCKET

THB.405.B2G

Nero - Black

THB.405.B2G.AG

THB.405.B2H

Grigio - Grey

THB.405.B2H.AG

RAL 7035

3 poli poles



PLUG

THB.406.A1B

Nero - Black

THB.406.A1B.AG

THB.406.A1D

Grigio - Grey

THB.406.A1D.AG

RAL 7035



POWER-SOCKET

THB.405.B2B

Nero - Black

THB.405.B2B.AG

THB.405.B2D

Grigio - Grey

THB.405.B2D.AG

RAL 7035

Norme - Standards

EN 61984:2001



Eventuali modifiche e migliorie sui dati tecnici o sul prodotto potranno essere effettuate senza preavviso.
All technical data or other eventual product modifications and improvements can be carried out without notice

Codice - Part number

T H B . 4 0 6 . X X X

**5-6
Poli**


16A	1,5^o	400V ~	T 85
Rated current			16A
Impulse withstand voltage			6KV
Range of temperature			0-85°C
Cable max	5G1,5 ^o	H07RN-F	
Installation torque glands			Nm 2,5

**5 poli
poles**



THB.406.A1A
THB.406.A1A.AG
THB.406.A1C
THB.406.A1C.AG

Nero - Black

Grigio - Grey
RAL 7035



PLUG

**6 poli
poles**



THB.406.A1E
THB.406.A1E.AG
THB.406.A1F
THB.406.A1F.AG

Nero - Black

Grigio - Grey
RAL 7035



PLUG



THB.405.B2A
THB.405.B2A.AG
THB.405.B2C
THB.405.B2C.AG

Nero - Black

Grigio - Grey
RAL 7035



POWER-SOCKET



THB.405.B2E
THB.405.B2E.AG
THB.405.B2F
THB.405.B2F.AG

Nero - Black

Grigio - Grey
RAL 7035



POWER-SOCKET

Pin - Crimp

Codice - Part number

T H F . 4 0 6 . X X X

**2 poli
poles**



THF.406.A1G Nero - Black
THF.406.A1H Grigio - Grey
RAL 7035



PLUG

**3 poli
poles**



THF.406.A1B Nero - Black
THF.406.A1D Grigio - Grey
RAL 7035



PLUG



THF.405.B2G Nero - Black
THF.405.B2H Grigio - Grey
RAL 7035



POWER-SOCKET



THF.405.B2B Nero - Black
THF.405.B2D Grigio - Grey
RAL 7035



POWER-SOCKET

**5 poli
poles**



THF.406.A1A Nero - Black
THF.406.A1C Grigio - Grey
RAL 7035



PLUG

**6 poli
poles**



THF.406.A1E Nero - Black
THF.406.A1F Grigio - Grey
RAL 7035



PLUG



THF.405.B2A Nero - Black
THF.405.B2C Grigio - Grey
RAL 7035



POWER-SOCKET



THF.405.B2E Nero - Black
THF.405.B2F Grigio - Grey
RAL 7035



POWER-SOCKET



Accessori per TEEPLUG

TEEPLUG accessories



6DB000800	Double Yellow Seal	\varnothing_e 15,5 - \varnothing_i 8		\varnothing 5÷14mm
604001800	Yellow Seal	\varnothing_e 15,5 - \varnothing_i 12		\varnothing 9÷14mm
600012500	Yellow Seal	\varnothing_e 15,5	2 Fori - 2 Holes	\varnothing 3,5
600012600	Yellow Seal	\varnothing_e 15,5	3 Fori - 3 Holes	\varnothing 3,5
600018200	Yellow Seal	\varnothing_e 15,5	4 Fori - 4 Holes	\varnothing 3,5
600012700	Yellow Seal	\varnothing_e 15,5	Asola - Slot	\varnothing 11x5,5
600013600	Yellow Seal	\varnothing_e 15,5	1 Foro - 1 Hole	\varnothing 3,5
600013700	Yellow Seal	\varnothing_e 15,5	Foro Cieco - Blind Hole	
604001100	Black Seal	\varnothing_e 15,5 - \varnothing_i 8,5		\varnothing 5÷9mm



600012200 Chiave 3 poli per agganciare i frutti nella TH388-404-405
Modules adapter for TH388-404-405 3 poles version



600009600 Chiave 5 poli per agganciare i frutti nella TH388-404-405
Modules adapter for TH388-404-405 5 poles version



6DB00750C Chiave tappo 6 poli per agganciare i frutti nella TH388-404-405
6 pole closure cap to hook modules in TH388-404-405



6DB00400C Chiave tappo 6 poli con cinturino in silicone per agganciare i frutti nella TH388-404-405-406
6 pole closure cap with silicon belt to hook modules in TH388-404-405



6DB00900C Tappo con cinturino per TH405-406-630
Closure cap with silicon belt for TH405-406-630



6000049CC Nero - Black } Tappo per TH405-406-630
6000049CE Grigio - Grey 7035 } Closure cap for TH405-406-630



6000087LF Riduzione per dado }
Foro - Hole \varnothing 9 } Adapter for nut

6000156LF Foro cieco - Blind hole

CH 24mm

Per cavi di piccole dimensioni, oppure cavi morbidi (silicone-gomma) l'adattatore applicato sul dado comprime maggiormente il gommino sul cavo.
For small dimensions or soft (silicon-rubber) cables, the adapter applied on nut compress even more the seal on the cable.

Kit di fornitura non assemblato THB-F Unassembled kit THB-F

THX.404.XXX.XX
THX.405.XXX.XX
THX.406.XXX.XX

C05
250 PZ
mm395 mm395 mm185

THX.404.XXX.XX
THX.405.XXX.XX
THX.406.XXX.XX

C05
250 PZ
mm395 mm395 mm185

**FRUTTI PRESA-SPINA
SOCKET-PLUG MODULES**

Min-Max Ø cavo - cable 5÷14 mm

2 POLI 2 POLES	3 POLI 3 POLES	5 POLI 5 POLES	6 POLI 6 POLES	
				PLUG
250 PZ	250 PZ	250 PZ	250 PZ	
				SOCKET
250 PZ	250 PZ	250 PZ	250 PZ	

frutti intercambiabili - interchangeable modules

TH 404	TH 405	TH 406
250 PZ	250 PZ	250 PZ
250 PZ	250 PZ	250 PZ

Kit di fornitura con versionamenti e confezionamenti speciali THK Special custom packed version THK

THK.404.XXX
THK.405.XXX
THK.406.XXX

PZ
mm mm mm

Kit di fornitura assemblato THZ Assembled kit THZ

THZ.404.XXX.XX
THZ.405.XXX.XX
THZ.406.XXX.XX

C05
150 PZ
mm395 mm395 mm185

TH 404
150 PZ

TH 405
150 PZ

TH 406
150 PZ

Kit di fornitura imbustati THR Fare riferimento a catalogo THR Retail packed kit THR Please refer to THR Retail Catalogue

THR.404.SXX.XX
THR.405.SXX.XX
THR.406.SXX.XX

C05
50 CONF
mm395 mm395 mm185

1 CONF
1 PZ

Vedi istruzioni di assemblaggio
Refer to user instructions

X-ON Electronics

Largest Supplier of Electrical and Electronic Components

Click to view similar products for [Hylec manufacturer](#):

Other Similar products are found below :

[THB.387.D2A](#) [LN167001](#) [THB.391.A3A](#) [50.625 PA/3X7](#) [THB.406.A1G](#) [THB.387.A4A.R](#) [K150-1050-00](#) [K151-1025-00](#) [K151-1063-00](#)
[50.625 PA/R7035](#) [50.216 MPOT-F](#) [K150-1032-00](#) [THB.382.A1A-KIT](#) [K341-1020-00](#) [50.616M/EMVDL-F](#) [GHG9601955R0004](#) [K160-1016-00](#) [K160-1050-00](#) [K150-1040-00](#) [HYKS-07612PP](#) [THB110A6B-F](#) [K151-1032-00](#) [THB.380.3ASSY](#) [THB.384.B1A](#) [50.216 ES](#)
[THK.404.X2A00-F](#) [TTK25BK-SD-F](#) [THB.405.B2A](#) [THB.405.A2B](#) [K160-1063-00](#) [THB.390.C1A](#) [THB.405.A2A](#) [1026010004-F](#) [50.625 ES](#)
[THB.405.A2G](#) [THA.209.A1A](#) [THB.387.D4A](#) [THB.387.C5A](#) [K160-1025-00](#) [50.625 M/EMVDL-F](#) [K160-1040-00](#) [THC.027.A1A](#)
[GHG9601955R0022](#) [THB.387.D5A](#) [K150-1020-00](#) [6000337BC](#) [THB.384.A1A](#) [THK.209.44](#) [5665/221](#) [THB.387.A4A](#)