



## Encoder accessories

 [Encoder accessories \(PDF 139 KB\)](#)



WDGHA12

### Adapter sleeves for bore size Ø 12 mm

for thru-bore encoder WDG 58H and  
hollow bore (blind) encoder WDG 58E

[→ Print version](#)

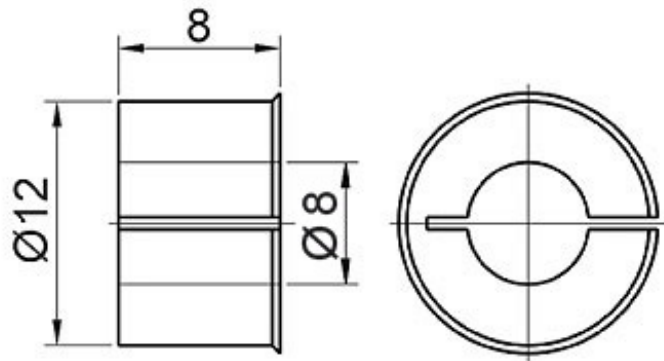
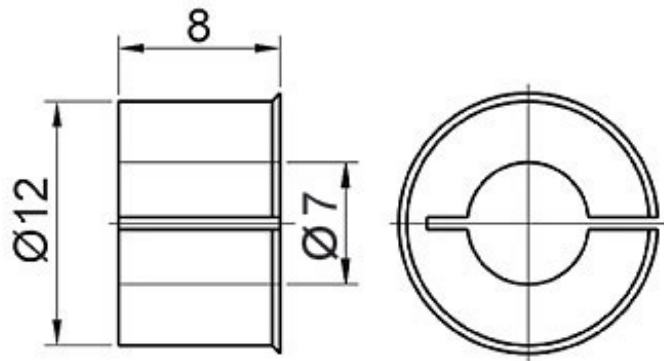
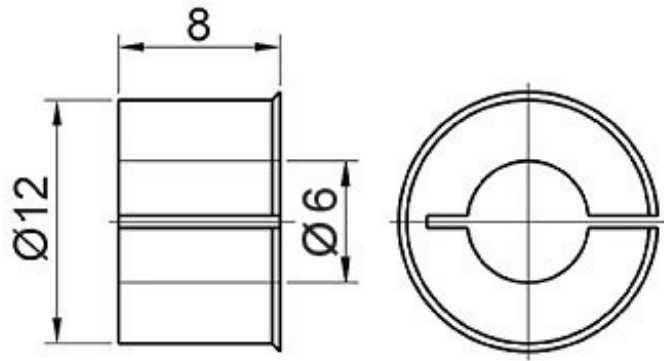
#### Product data

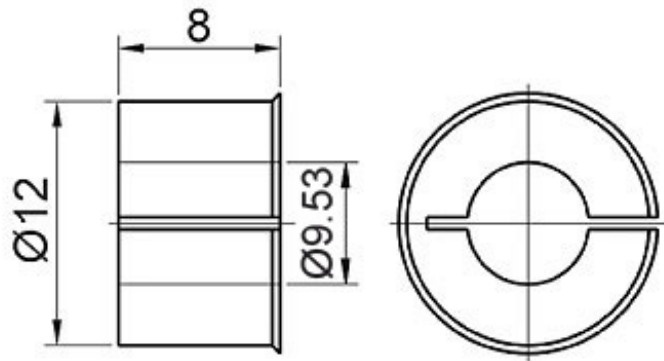
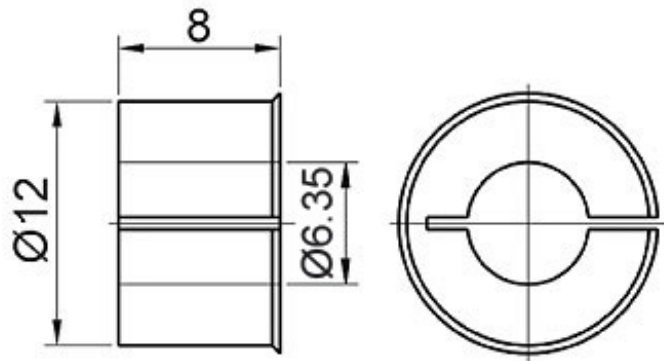
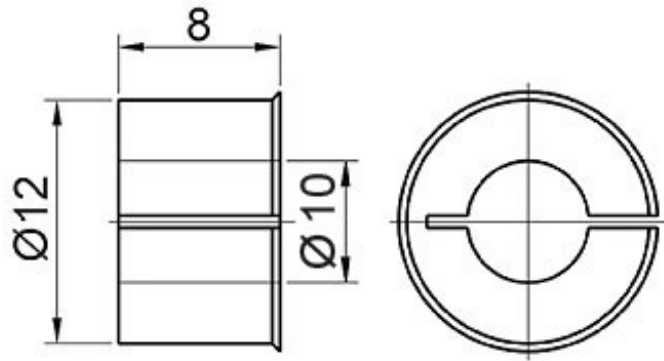
Order number(s)

WDGHA1206	Adapter sleeve: Ø d = 6 mm
WDGHA1207	Adapter sleeve: Ø d = 7 mm
WDGHA1208	Adapter sleeve: Ø d = 8 mm
WDGHA1210	Adapter sleeve: Ø d = 10 mm
WDGHA1263	Adapter sleeve: Ø d = 6,35 mm
WDGHA1295	Adapter sleeve: Ø d = 9,53 mm

#### Drawings

All dimensional specifications in mm







For further information please contact our local distributor.  
Here you find a list of our [distributors worldwide](#)

---

Wachendorff Automation GmbH & Co. KG - Industriestrasse 7 - D-65366 Geisenheim  
wdg@wachendorff.de - Tel. +49 6722 996525 - Fax +49 6722 996570

## **X-ON Electronics**

Largest Supplier of Electrical and Electronic Components

*Click to view similar products for [Wachendorff](#) manufacturer:*

Other Similar products are found below :

[WDG 58H-12-4096-ABN-R24-K3](#) [FB29B0606](#) [PLT200KIT](#)