

Graphical universal display UA964801

- Universal panel meter in 96 x 48 mm format
- Graphical LCD display programmable in 7 colours
- Vertical or horizontal mounting
- Universal input for process signals, thermocouples, RTD and potentiometer
- 2 alarm outputs and two analogue outputs
- Serial communication via RS485 Modbus protocol
- 2 programmable user inputs
- Multilingual programming interface



UA964801

The UA964801 is an indicator/panel meter for acquisition and retransmission of processes, also with fast transient. It is provided with relay outputs for alarm purpose, analogue outputs for retransmission of process/setpoints and programmable digital inputs. Available in standard format 96x48mm, the device can be configured both for horizontal and vertical mounting. Distinctive feature is the intuitive multilingual interface in 5 languages, supported by a graphic LCD display 128x64pixel with backlighting programmable for 7 colors.

Display: Graphical 2,7" LCD display, 64 x 128 pixels. Backlight in 7 different colours (red, green, blue, orange, white, violet, azur) in positive or negative display. Display range of process value: -32.767 to +32.767 Display range of totalizer value: 0 to 4.000.000.000 (32 Bit) Programmable horizontal or vertical display incl. bargraph and trend.

Indicators: Three indicators for alarm status and serial communication. Programmable engineering unit (°C, °F, °K, V, mA, mBar, Bar, psi, mm, m, rpm, %rh, ph, g, Kg, q, t, m/s, l/h)

Keypad: 4 push buttons for programming and setting up the thresholds.

Input range: Setting up of the input signal via software or keypad. Thermocouples type K, S, R, J, T, E, N; cold junction: internal (from 0 °C to 50 °; accuracy cold junction 0,1 °C/°C) RTD: Pt100, Pt500, Pt1000, Ni100, PTC1K, NTC10K Linear inputs: 0 V to 10 V, 0/4 mA to 20 mA, 0 mV to 60 mV and thermocouples type B with linearisation in 16 steps. Potentiometer: 1 kOhm to 6/160 kOhm.

Accuracy: Tolerance at 25 °C +/-0.2 % ± 1 digit for thermocouple input, RTD and analogue input signal.

Measurement speed: Programmable up to 242 Hz.

User input: Activation via PNP signal. Alternative selectable functions: Activation alarm output, tare, reset alarm/peak values/totalizer, sum function.

Excitation: +24 VDC @ 35 mA

Resolution: Internal resolution with 65.535 steps (16 bit),

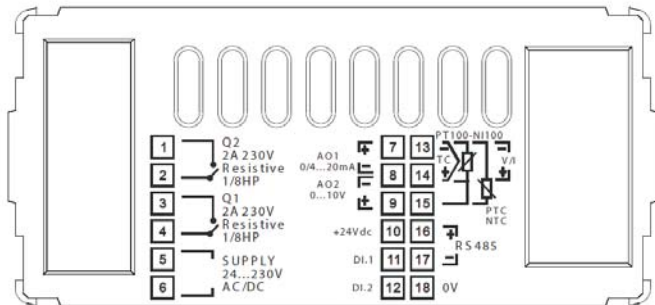
Relay outputs: 2 relay N.O. With separated ground, 2 A at 250 VAC, resistive. Programmable as N.O. or N.C..

Analogue output: 2 programmable analogue outputs (1x 0 VDC to 10 VDC and 1x 0/4 mA to 20 mA) with a resolution of 16 bits and an accuracy of +/-0,2 % f.s.. Programmable for retransmission of the alarm value or process signal. No isolation among each other.

Communication: RS485 with Modbus RTU as slave.

Supply: 24 VAC/DC to 230 VAC/DC +/- 15 %, 50/60Hz, 6 VA

Wiring:



Protection class: IP54 from the front (with rubber sealing), back plane IP20.

Housing: Black and robust plastic case, (PC) L94-V2, back plane ABS + PC UI94 V-0.

Dimensions: B 96 mm x H 48 mm x T 53 mm (without terminal blocks). DIN panel cut out: 91 mm x 45 mm.

Connection: Via lockable and/or removable terminal blocks.

Ambient conditions: Operating temperature: 0 °C to +45 °C; relative humidity 35 % to 95 % rF, non condensing.

Weight: 250 gramms

Scope of delivery: UA964801, mounting brackets, sealing, manual.



Display examples

X-ON Electronics

Largest Supplier of Electrical and Electronic Components

Click to view similar products for [Wachendorff](#) manufacturer:

Other Similar products are found below :

[WDG 58H-12-4096-ABN-R24-K3](#) [FB29B0606](#) [PLT200KIT](#)