

Universal PID-Controller UR4848

- PID-Controller in 48 x 48 mm format
- Universal AC/DC power supply
- Universal input für process signals, thermocouple, RTD
- 2-line LED display
- Easy programming via software or push buttons
- Analogue output or SSR output
- 2 alarm outputs



UR4848

This small universal controller is a compact all-rounder. With the universal input for the most common temperature sensors and process signals combined with the universal power supply and the newest programming and control technologies, this small PID-controller is the best solution for sophisticated applications. Beside the excellent price/performance-ratio, this controller convinces with his robust housing and brilliant display.

Display: 2-line LED-Display

Upper line: Process value, 4-digit, green with 10.2 mm digits
 Lower line: Setpoint, 4-digit, red with 7,6 mm digits

Indicators: Eight red indicators for relays outputs, alarm status, serial communication and tuning..

C1, C2 ON, when output is active.
 C1 as relay/SSR/mA/voltoutput or C1 (opening) and C2 (closing) for electronic valves

A1, A2, A3 ON, when alarm is active
 MAN ON, when the function "manual" is switched on
 TUN ON, when controller is in "autotune" mode
 REM ON when serial communication is active

Buttons: 3 push buttons for programming and setting up the setpoints.

Input ranges: Configuration of the input signal via software or push buttons.

Thermocouples type K, S, R, J; internal cold junction (from 0 °C to 50 °C; accuracy of cold junction 0,1 °C/°C)
 RTD: Pt100, Pt500, Pt1000, Ni100, PTC1K, NTC10K
 Linear inputs: 0 V to 10 V, 0/4 mA to 20 mA, 0 mV to 40 mV
 Potentiometer: 1 kOhm to 6/150 kOhm

Accuracy: Tolerance at 25 °C +/-0.2 % ± 1 digit for thermocouple input, RTD input and analogue input signal.

Measuring rate: Programmable up to 4,1 msec. (242 Hz).

User input (only UR484803/04): (only available for thermocouple or process signal input) switchable via contact input signal. Alternative usable functions: Hold/freeze values, selecting setpoint 1 to 4.

Messwandlereingang (nur UR484803/04): max. 50 mA mit 80 msek. Messzyklus für Amperometrische Messwandler.

Excitation: +12 VDC @ 50 mA

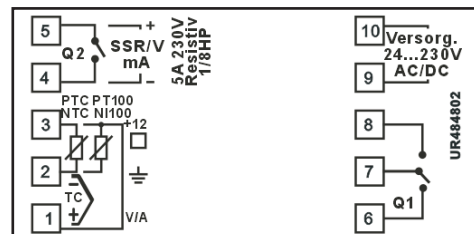
Relay output: 1 change over relay with and 1/2 closing contacts with 5 A @ 250 VAC. Programmable as controller output for heating/cooling and/or alarm

Analogue/SSR-output: Selectable via jumper. Programmierbarer Analogausgang 0 VDC to 10 VDC or 0/4 mA to 20 mA with a resolution of 4.000 steps. Programmable as controller output or retransmission process/setpoint value. SSR-output 12 VDC @ max. 30 mA.

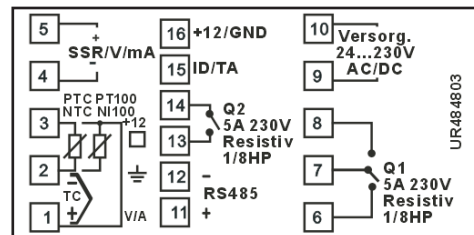
Communication port (only UR484803): RS485 with Modbus RTU as slave.

Supply: 24VAC/DC to 230 VAC/DC +/-15 %, 50/60Hz; 5,5 VA

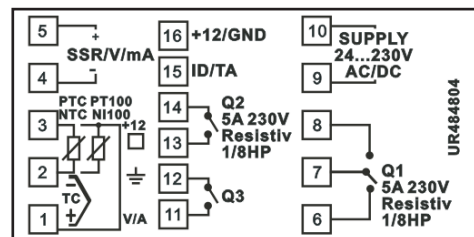
Wiring plan:



UR484802



UR484803



UR484804

Protection class: IP65 from the front (with rubber sealing), back plane IP20.

Housing: Black and robust plastic case. The electronics can be pulled out of the front.

Dimensions: W 48 mm x H 48 mm x D 125 mm. Panel cut out 46 mm x 46 mm.

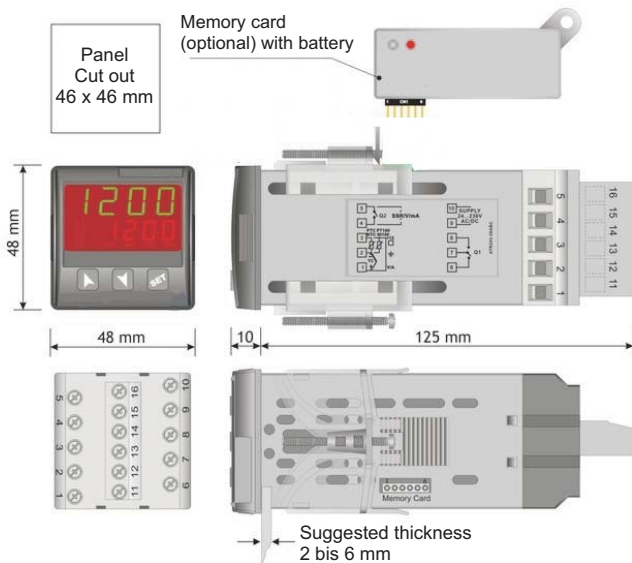
Connection: Via terminal block. .

Ambient conditions: Operating temperature: 0 °C to +45 °C; relative humidity 35 % to 95 % rF, non condensing..

Weight: 165 gramms (UR484802), 185 gramms (UR484803/04).

Scope of delivery: Controller, mounting clamp, sealing, manual..

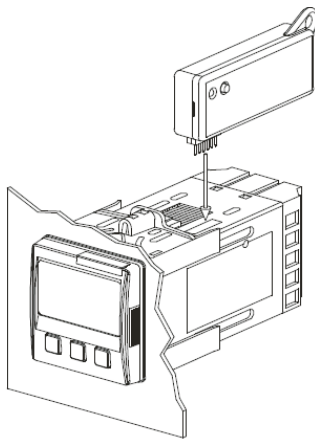
Universal PID-Controller UR4848



Data protection: Lock of command / alarm setpoint - Access to parameters by password.

Dimensions (in mm)

Programming: The controller will be programmed via push buttons or Windows™-software. The memory card is battery powered. With this technology you can programm the controller without powering it up (up to 1000 programm cycles with one battery).



Functionality:

Control algorithms: ON - OFF with hysteresis, P., P.I., P.I.D., P.D. time proportioned, dead band. Additionally open / close logic for motorized valves

Tuning:

Manual or automatic tuning selectable.

Alarm modes: Absolute / Threshold, band, High / Low deviation. Alarm with optional manual reset. Standby and hysteresis programmable

Second controller output (cooling): Programmable instead of alarm output with P., P.I., P.I.D., P.D. time proportioned with dead band.

Order codes

Type	Order-No.
Universal controller, 48 x 48, 24 to 230VAC/VDC	
2 set points, 1 relay, 1 relay/analogue output/SSR	UR484802
3 set points, 2 relay, analogue output/SSR, RS 485	UR484803
4 set points, 3 relay, analogue output/SSR	UR484804
Accessories	
Programming module with USB cable	SFUR0KIT
Software download under: http://www.wachendorff.de/wp/dpc_dow_epg_sof.html	
Din rail power supply, 24 VDC, 3 A	PS24V03AA

X-ON Electronics

Largest Supplier of Electrical and Electronic Components

Click to view similar products for [Wachendorff](#) manufacturer:

Other Similar products are found below :

[WDG 58H-12-4096-ABN-R24-K3](#) [FB29B0606](#) [PLT200KIT](#)