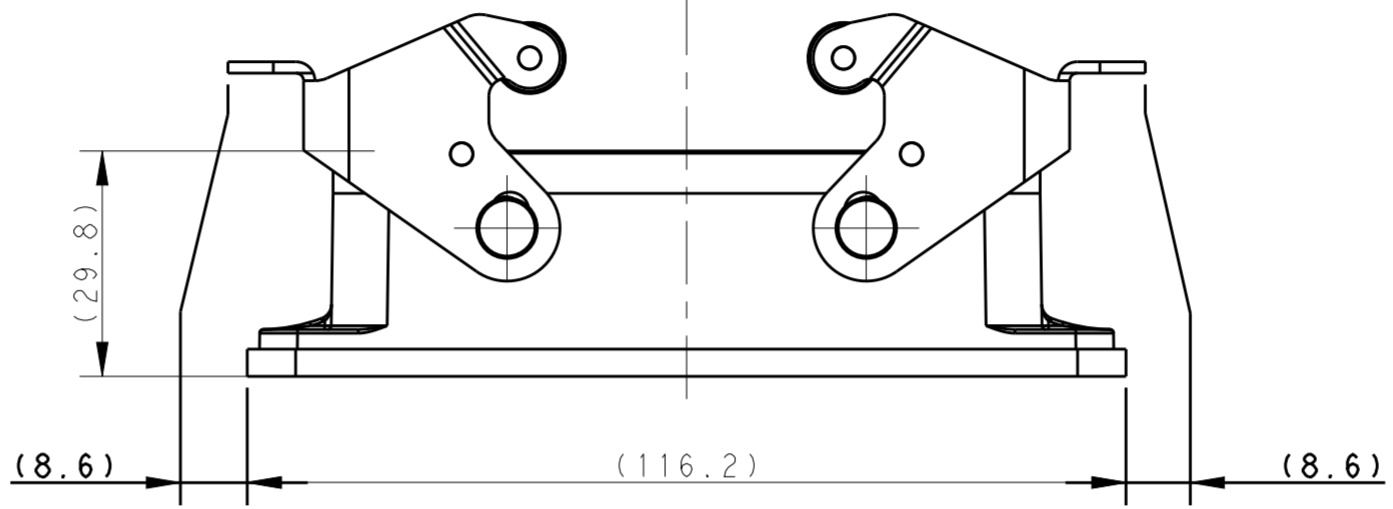
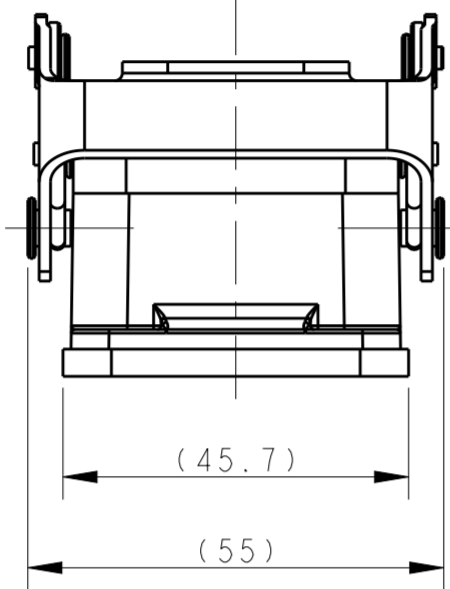
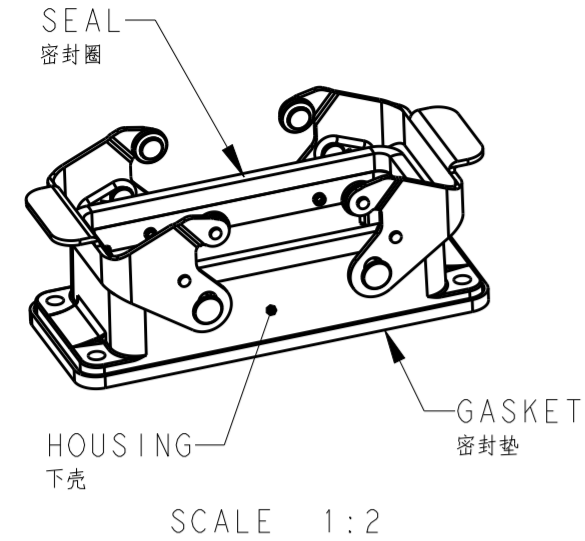


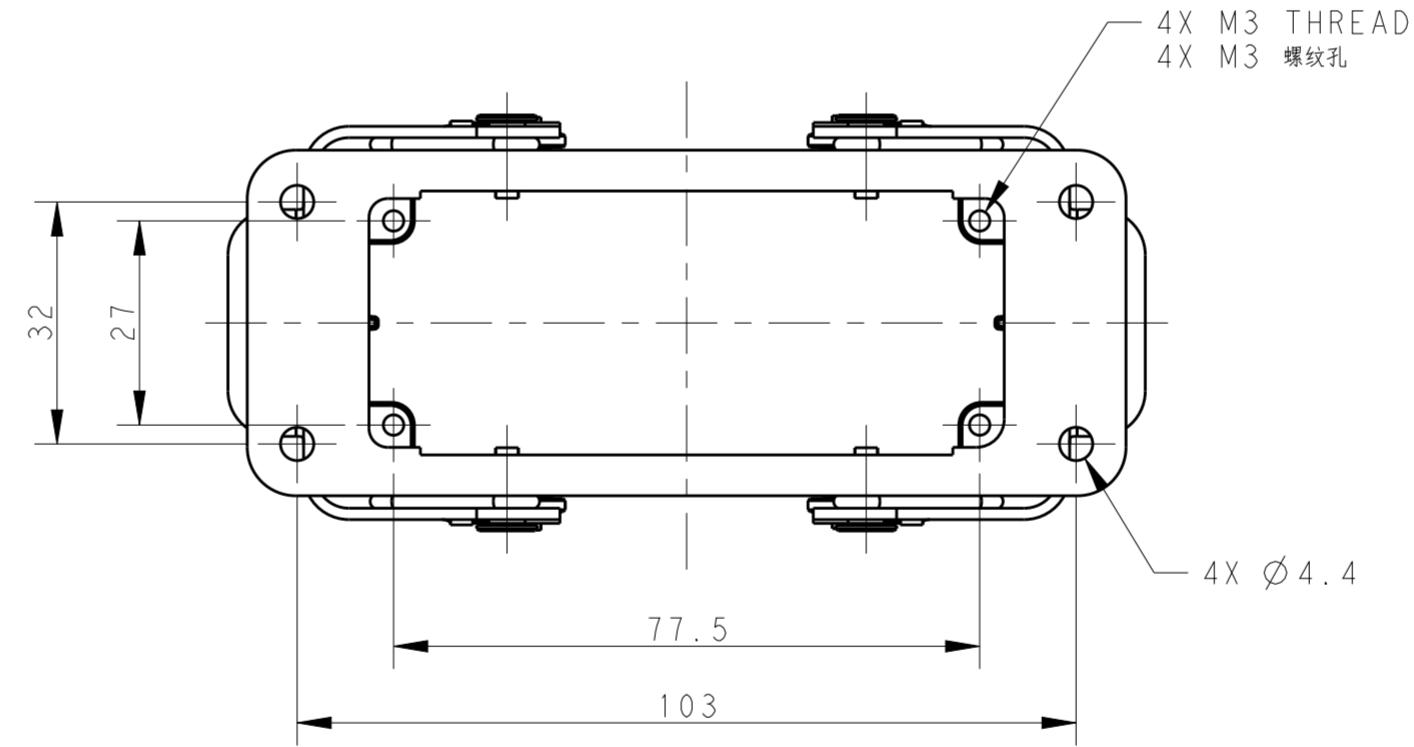
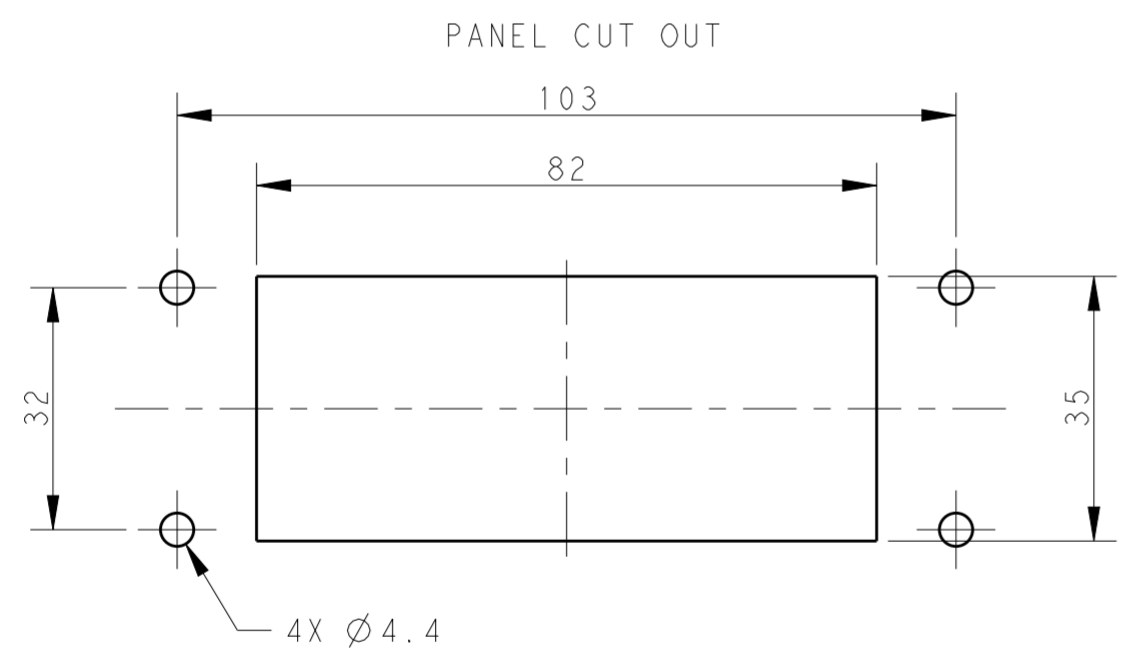
THIS DRAWING IS UNPUBLISHED. RELEASED FOR PUBLICATION 20  
 © COPYRIGHT 20 BY - ALL RIGHTS RESERVED.

REVISIONS				
P	LTR	DESCRIPTION	DATE	APVD
A1		UPDATE SPELLING MISTAKE	20JAN2015	DW CW
A2		ECR-15-010519	20JUN2015	DW CW
A3		ECR-16-010326	07JUL2016	DW CW
A4		ECR-16-018349	30DEC2016	DW CW



NOTES:  
 1. TECHNICAL CHARACTERISTICS:  
 HOUSING MATERIAL: DIE CAST ALUMINIUM ALLOY  
 HOUSING SURFACE: POWDER COATED, GREY, RAL7037  
 SEAL MATERIAL: NBR  
 GASKET MATERIAL: EPDM  
 DEGREE OF PROTECTION: IP65 (MATED)

注释:  
 1. 技术参数:  
 下壳材料: 铝合金  
 下壳表面处理: 灰色粉末涂层, RAL7037  
 密封圈材料: NBR  
 密封垫材料: EPDM  
 防护等级: IP65(配合)



T1410161000-000	H16B-AGS	H16B HOUSING, BULKHEAD MOUNTED, STAINLESS STEEL DOUBLE LOCKING POWDER COATED, GREY H16B下壳, 开孔安装, 不锈钢双扣, 灰色粉末喷涂
PART NUMBER 零件料号	PART DESCRIPTION 零件描述	

THIS DRAWING IS A CONTROLLED DOCUMENT.		DWN DAVID WANG 11 JUN 2014	TE Connectivity	
		CHK CHRIS WANG 11 JUN 2014		
		APVD XIANG XU 11 JUN 2014	NAME H16B-AGS	
DIMENSIONS: mm		PRODUCT SPEC 108-137013	SIZE CAGE CODE DRAWING NO RESTRICTED TO	
TOLERANCES UNLESS OTHERWISE SPECIFIED:		APPLICATION SPEC 114-137013	A200779 C-T1410161000000	
MATERIAL		WEIGHT	SCALE 1:1 SHEET 1 OF 1 REV A4	
0 PLC ±		CUSTOMER DRAWING		
1 PLC ±				
2 PLC ±				
3 PLC ±				
4 PLC ±				
ANGLES ±				
FINISH				

# X-ON Electronics

Largest Supplier of Electrical and Electronic Components

*Click to view similar products for [Headers & Wire Housings](#) category:*

*Click to view products by [TE Connectivity](#) manufacturer:*

Other Similar products are found below :

[95000-104TRLF](#) [10135584-644402LF](#) [DF62W-EP2022PCA](#) [95000-106TRLF](#) [DF62W-2022SCA](#) [48050-002LF](#) [DF62W-EP2022PC](#) [2203348](#)  
[DF62W-2022SC](#) [1084018](#) [1029039](#) [1084017](#) [802-10-012-10-002000](#) [1112640](#) [1112639](#) [000-34000](#) [0008550134](#) [0009482033](#) [0009507031](#)  
[0009524054](#) [57102-F02-18ULF](#) [57102-S06-03LF](#) [57202-S52-04LF](#) [PCN6-15S-2.5E](#) [0039019024](#) [58102-G61-06LF](#) [582553-1](#) [0009485154](#)  
[0009508121](#) [0022285053](#) [0050291907](#) [018731A](#) [LY20-4P-DT1-P1E-BR](#) [02.125.8002.8](#) [60101931](#) [60598-1 \(Cut Strip\)](#) [M1625-3R/100](#) [61062-3](#)  
[61082-181009](#) [636-1427](#) [638009-1](#) [641938-9](#) [641991-4](#) [644168-1](#) [644827-2](#) [647662-1](#) [65039-019ELF](#) [65692-001LF](#) [65781-018](#) [65781-047](#)