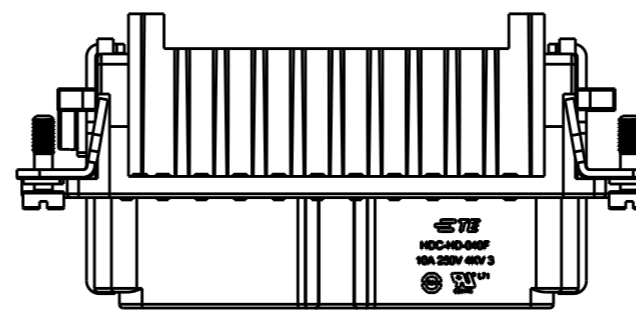
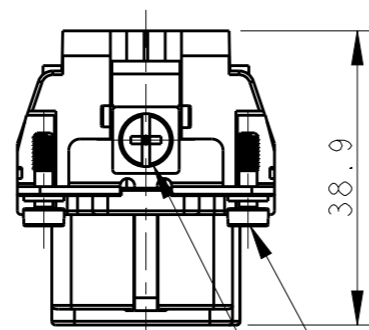
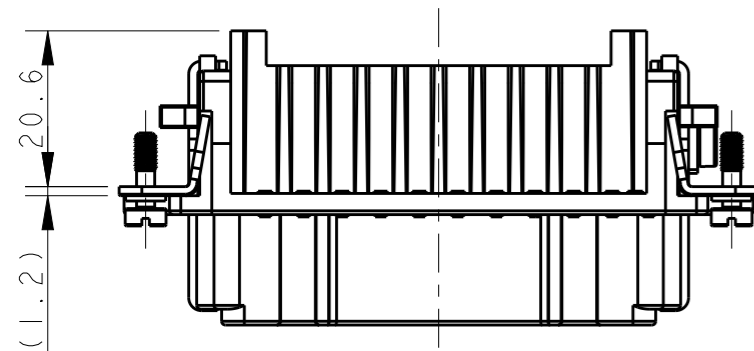
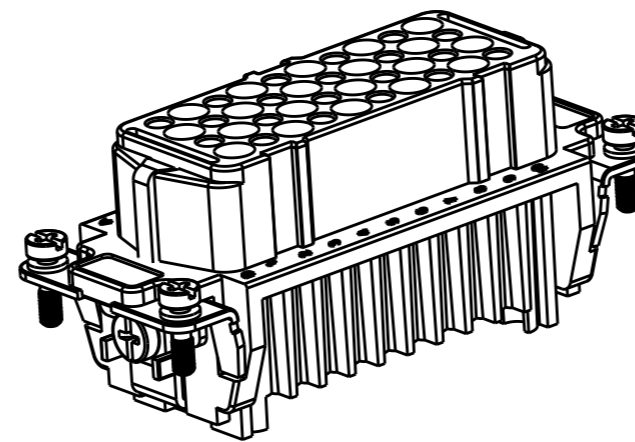
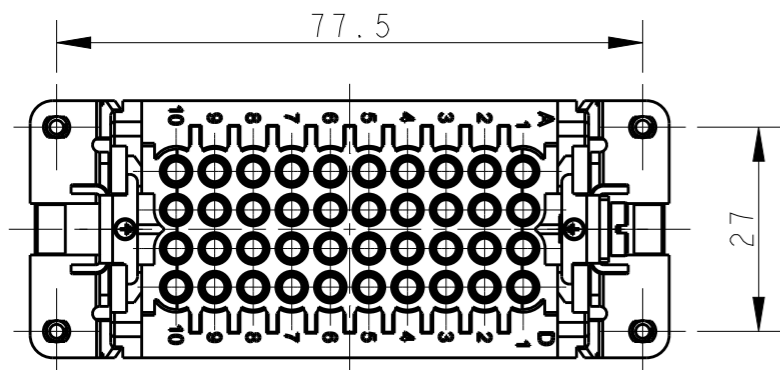


THIS DRAWING IS UNPUBLISHED. RELEASED FOR PUBLICATION 20  
 © COPYRIGHT 20 BY - ALL RIGHTS RESERVED.

REVISIONS

P	LTR	DESCRIPTION	DATE	DWN	APVD
A1		ECR-15-010494	14JUL2015	DW	CW
B		ECR-15-013292	24SEP2015	DL	CW
B1		ECR-15-017530	02DEC2015	GY	CW
B2		ECR-16-015492	08NOV2016	QY	CW

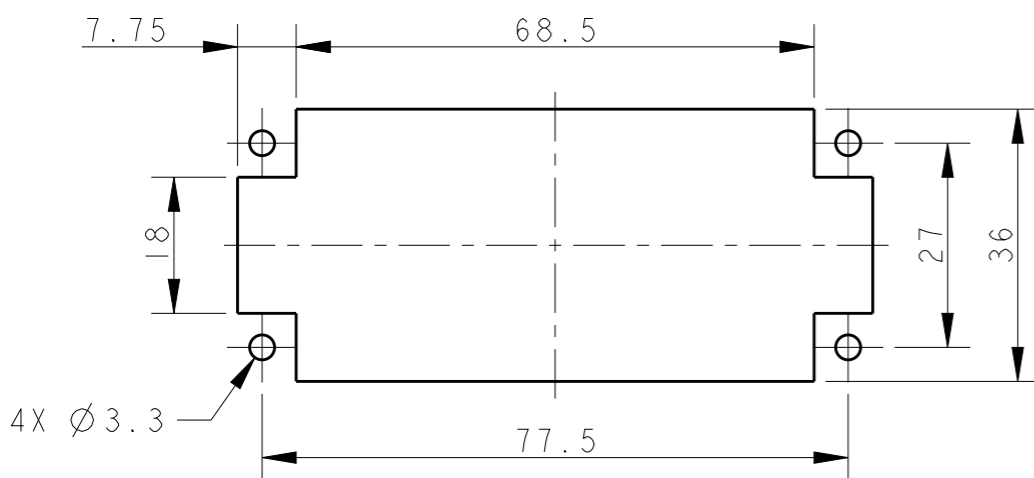
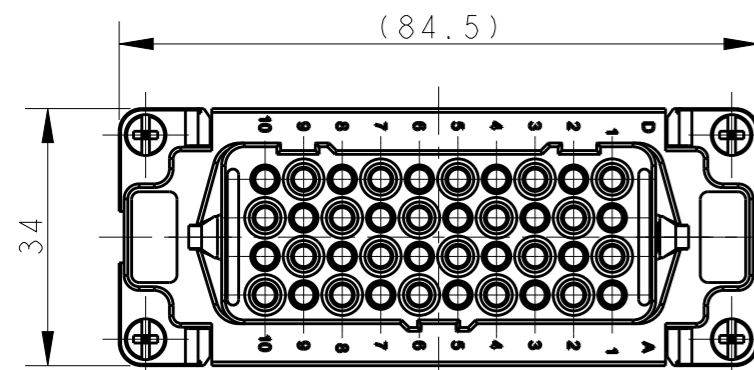


NOTES:  
 1. TECHNICAL CHARACTERISTICS:  
 INSULATION MATERIAL: PC  
 RATED VOLTAGE: 250 V  
 RATED CURRENT: 10 A  
 INSULATION RESISTANCE:  $\geq 400M\Omega$   
 RATED IMPULSE VOLTAGE: 4 KV  
 POLLUTION DEGREE: 3  
 FLAMMABILITY: UL94V-0  
 MATING CYCLES: 500 CYCLES  
 WIRE RANGE: 0.14-2.5 mm<sup>2</sup> (26-14 AWG)  
 CONTACT TYPE: CRIMP CONTACT  
 2. CONTACT NEED TO BE ORDERED SEPARATELY.  
 (ORDER No. REFER TO DRAWING: T20200X20XX000)

注释:  
 1. 技术参数:  
 绝缘材料: PC  
 额定电压: 250V  
 额定电流: 10A  
 绝缘电阻:  $\geq 400M\Omega$   
 额定脉冲电压: 4 KV  
 污染等级: 3  
 阻燃等级: UL94V-0  
 插拔次数: 500次  
 接线范围: 0.14-2.5 mm<sup>2</sup> (26-14 AWG)  
 接线类型: 冷压接  
 2. 端子需要单独订购。  
 (订货号参考图面: T20200X20XX000)

4X M3 SCREW RECOMMENDED  
 TIGHTENING TORQUE 0.5Nm  
 4X M3螺丝, 推荐锁紧力矩0.5Nm


M4 SCREW RECOMMENDED  
 TIGHTENING TORQUE 1.2Nm  
 M4 螺丝, 推荐锁紧力矩1.2Nm



PANEL CUT OUT FOR INSERTS FOR USE WITHOUT HOODS/HOUSINGS  
 不用防护外壳时芯件的安装开孔图

TYPE-1, T2020402201-000, TE LOGO  
 类型-1, T2020402201-000, TE LOGO

TYPE-2, T2020402201-001, STAINLESS STEEL SCREW, TE LOGO  
 类型-2, T2020402201-001, 不锈钢螺丝, TE LOGO

THIS DRAWING IS A CONTROLLED DOCUMENT.		DWN 16DEC2014 RAGHAVENDRA H M		 TE Connectivity	
DIMENSIONS: mm		CHK 16DEC2014 CHRIS WANG			
TOLERANCES UNLESS OTHERWISE SPECIFIED:		APVD 16DEC2014 XU XIANG		NAME HD-040-F	
0 PLC ±-		PRODUCT SPEC 108-137042		SIZE A3	
1 PLC ±-		APPLICATION SPEC		CAGE CODE -	
2 PLC ±-		WEIGHT -		DRAWING NO T2020402201000	
3 PLC ±-		Customer Drawing		RESTRICTED TO -	
4 PLC ±-		SCALE 1:1		SHEET 1 OF 2	
ANGLES ±-		FINISH -		REV B2	
MATERIAL -		FINISH -			

4

3

2

1

THIS DRAWING IS UNPUBLISHED.

RELEASED FOR PUBLICATION

20

© COPYRIGHT 20

BY -

ALL RIGHTS RESERVED.

REVISIONS

P	LTR	DESCRIPTION	DATE	DWN	APVD
-		SEE SHEET 1	-	-	-

NOTE:

SEE SHEET 1

注释:  
见页 1





TYPE-3, T2020402201-002, STAINLESS STEEL SCREW, NO LOGO  
类型-3, T2020402201-002, 不锈钢螺丝, 无LOGO

ALL DIMENSIONS ARE SAME AS TYPE 1,  
EXCEPT THOSE DEFINED IN THIS TYPE.  
除了在本类型中定义的尺寸外, 其它尺寸同类型 1

T2020402201-002	HD-040-F	HD-040 FEMALE INSERT, STAINLESS STEEL SCREW, NO LOGO HD-040 母插, 不锈钢螺丝, 无LOGO	TYPE-3 类型-3
T2020402201-001	HD-040-F	HD-040 FEMALE INSERT, STAINLESS STEEL SCREW HD-040 母插, 不锈钢螺丝	TYPE-2 类型-2
T2020402201-000	HD-040-F	HD-040 FEMALE INSERT HD-040 母插	TYPE-1 类型-1
PART NUMBER 料号	PART DESCRIPTION 描述		TYPE 类型

THIS DRAWING IS A CONTROLLED DOCUMENT.		DWN 16DEC2014 RAGHAVENDRA H M		
DIMENSIONS: mm		CHK 16DEC2014 CHRIS WANG		
TOLERANCES UNLESS OTHERWISE SPECIFIED:		APVD 16DEC2014 XU XIANG	NAME HD-040-F	
0 PLC ±-		PRODUCT SPEC	SIZE	
1 PLC ±-		108-137042	CAGE CODE	
2 PLC ±-		APPLICATION SPEC	DRAWING NO	
3 PLC ±-		-	RESTRICTED TO	
4 PLC ±-		WEIGHT	A3 - ©T2020402201000	
ANGLES ±-		-	SCALE 1:1	
FINISH		-	SHEET 2 OF 2	
MATERIAL		-	REV B2	
-		-	Customer Drawing	

1470-19 (3/13)

# X-ON Electronics

Largest Supplier of Electrical and Electronic Components

*Click to view similar products for [Headers & Wire Housings](#) category:*

*Click to view products by [TE Connectivity](#) manufacturer:*

Other Similar products are found below :

[95000-104TRLF](#) [10135584-644402LF](#) [DF62W-EP2022PCA](#) [95000-106TRLF](#) [DF62W-2022SCA](#) [48050-002LF](#) [DF62W-EP2022PC](#) [2203348](#)  
[DF62W-2022SC](#) [1084018](#) [1029039](#) [1084017](#) [802-10-012-10-002000](#) [1112640](#) [1112639](#) [000-34000](#) [0008550134](#) [0009482033](#) [0009507031](#)  
[0009524054](#) [57102-F02-18ULF](#) [57102-S06-03LF](#) [57202-S52-04LF](#) [PCN6-15S-2.5E](#) [0039019024](#) [58102-G61-06LF](#) [582553-1](#) [0009485154](#)  
[0009508121](#) [0022285053](#) [0050291907](#) [018731A](#) [LY20-4P-DT1-P1E-BR](#) [02.125.8002.8](#) [60101931](#) [60598-1 \(Cut Strip\)](#) [M1625-3R/100](#) [61062-3](#)  
[61082-181009](#) [636-1427](#) [638009-1](#) [641938-9](#) [641991-4](#) [644168-1](#) [644827-2](#) [647662-1](#) [65039-019ELF](#) [65692-001LF](#) [65781-018](#) [65781-047](#)