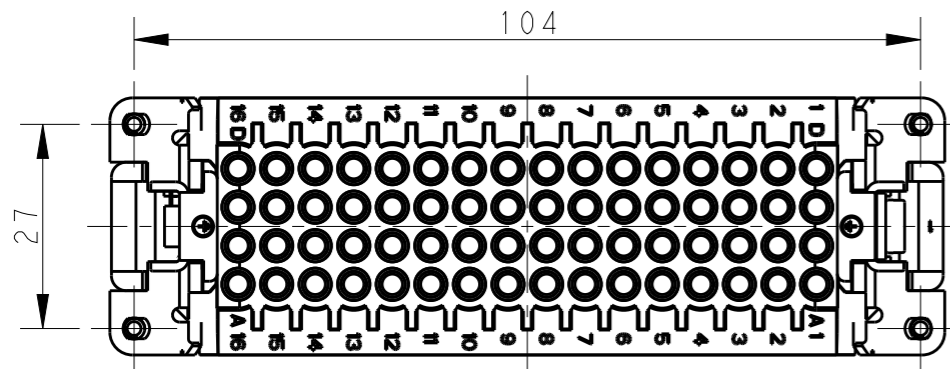


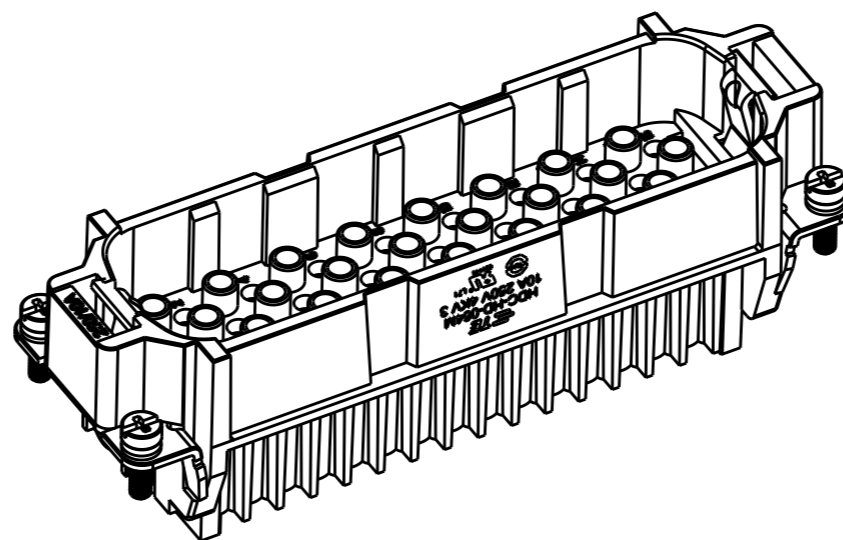
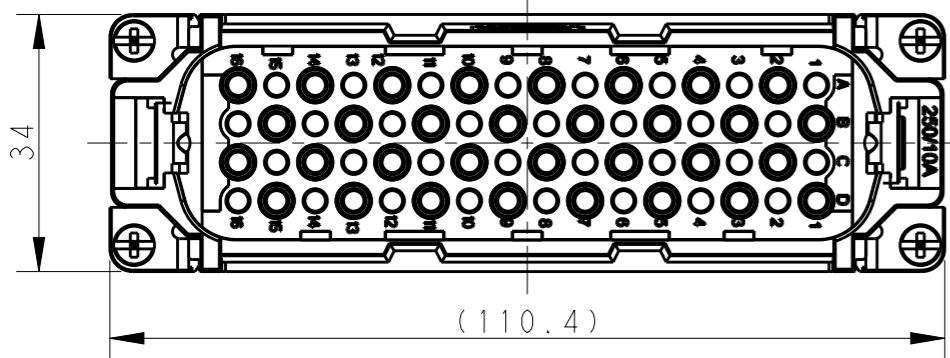
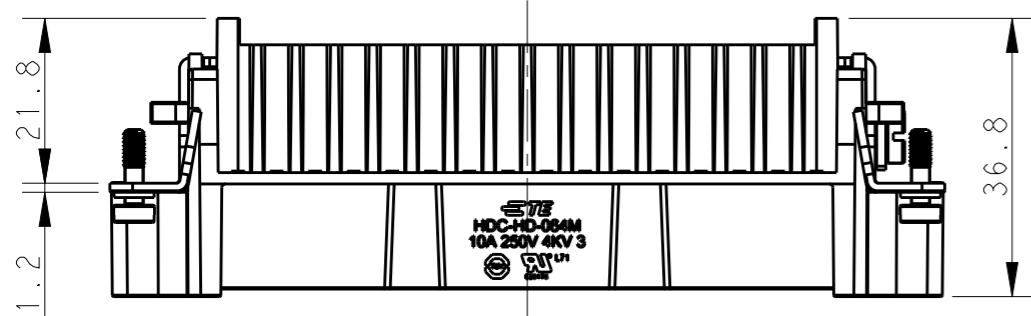
THIS DRAWING IS UNPUBLISHED. RELEASED FOR PUBLICATION 20
 © COPYRIGHT 20 BY - ALL RIGHTS RESERVED.

LOC	DIST	REVISIONS					
		P	LTR	DESCRIPTION	DATE	DWN	APVD
-	-	A1	ECR-15-010494		20JUN2015	DW	CW
		B	ECR-15-013292		24SEP2015	DL	CW
		B1	ECR-15-017530		02DEC2015	GY	CW
		B2	ECR-16-015492		12NOV2016	QY	CW



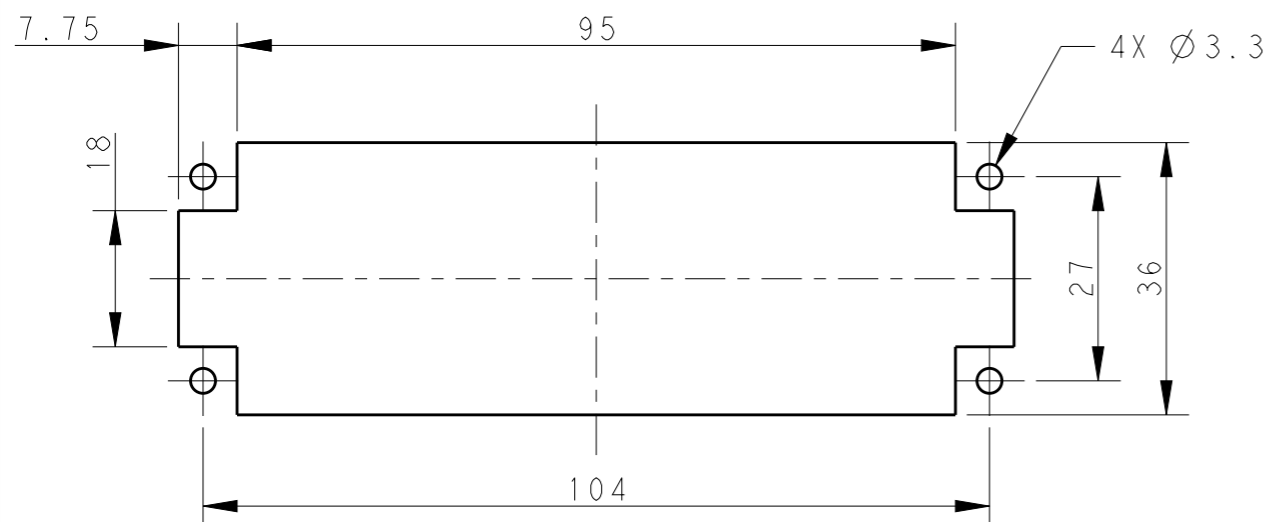
4X M3 SCREW RECOMMENDED
 TIGHTENING TORQUE 0.5Nm
 4X M3螺丝, 推荐锁紧力矩0.5Nm

M4 SCREW RECOMMENDED
 TIGHTENING TORQUE 1.2Nm
 M4 螺丝, 推荐锁紧力矩1.2Nm



NOTES:
 1. TECHNICAL CHARACTERISTICS:
 INSULATION MATERIAL: PC
 RATED VOLTAGE: 250 V
 RATED CURRENT: 10 A
 INSULATION RESISTANCE: $\geq 400M\Omega$
 RATED IMPULSE VOLTAGE: 4 KV
 POLLUTION DEGREE: 3
 FLAMMABILITY: UL94V-0
 MATING CYCLES: 500 CYCLES
 WIRE RANGE: 0.14-2.5 mm² (26-14 AWG)
 CONTACT TYPE: CRIMP CONTACT
 2. CONTACT NEED TO BE ORDERED SEPARATELY.
 (ORDER No. REFER TO DRAWING:T20200X10XX000)


注释:
 1. 技术参数:
 绝缘材料: PC
 额定电压: 250V
 额定电流: 10A
 绝缘电阻: $\geq 400M\Omega$
 额定脉冲电压: 4 KV
 污染等级: 3
 阻燃等级: UL94V-0
 插拔次数: 500次
 接线范围: 0.14-2.5 mm² (26-14 AWG)
 接线类型: 冷压接
 2. 端子需要单独订购.
 (订货号参考图面: T20200X10XX000)



PANEL CUT FOR INSERTS FOR USE
 WITHOUT HOODS/ HOUSINGS
 不用防护外壳时芯件的安装开孔图

TYPE-1, T2020642101-000, TE LOGO
 类型-1, T2020642101-000, TE LOGO

TYPE-2, T2020642101-001, STAINLESS STEEL SCREW, TE LOGO
 类型-2, T2020642101-001, 不锈钢螺丝, TE LOGO

THIS DRAWING IS A CONTROLLED DOCUMENT.		DWN 30OCT2014 David Wang	 TE Connectivity	
DIMENSIONS: mm		CHK 30OCT2014 Chris Wang		
TOLERANCES UNLESS OTHERWISE SPECIFIED:		APVD 30OCT2014 Xiang Xu	NAME HD-064-M	
0 PLC ±-		PRODUCT SPEC 108-137042	SIZE	
1 PLC ±-		APPLICATION SPEC 114-137042	CAGE CODE	
2 PLC ±-		WEIGHT	DRAWING NO	
3 PLC ±-		Customer Drawing	A300779	
4 PLC ±-			DRAWING NO	
ANGLES ±-			RESTRICTED TO	
FINISH			SCALE 1:1	
MATERIAL			SHEET 1 OF 2	
			REV B2	

4

3

2

1

THIS DRAWING IS UNPUBLISHED.

RELEASED FOR PUBLICATION

20

© COPYRIGHT 20

BY -

ALL RIGHTS RESERVED.

LOC	DIST	REVISIONS					
		P	LTR	DESCRIPTION	DATE	DWN	APVD
-	-			SEE SHEET 1	-	-	-

NOTE:
SEE SHEET 1
注释:
见页 1

TYPE-3, T2020642101-002, STAINLESS STEEL SCREW, NO LOGO
类型-3, T2020642101-002, 不锈钢螺丝, 无LOGO

T2020642101-002	HD-064-M	HD-064 MALE INSERT, STAINLESS STEEL SCREW, NO LOGO HD-064 公插, 不锈钢螺丝, 无LOGO	TYPE-3 类型-3
T2020642101-001	HD-064-M	HD-064 MALE INSERT, STAINLESS STEEL SCREW HD-064 公插, 不锈钢螺丝	TYPE-2 类型-2
T2020642101-000	HD-064-M	HD-064 MALE INSERT HD-064 公插	TYPE-1 类型-1
PART NUMBER 料号	PART DESCRIPTION 描述		TYPE 类型

ALL DIMENSIONS ARE SAME AS TYPE 1,
EXCEPT THOSE DEFINED IN THIS TYPE.
除了在本类型中定义的尺寸外, 其它尺寸同类型 1

THIS DRAWING IS A CONTROLLED DOCUMENT.		DWN David Wang 30OCT2014			
DIMENSIONS: mm		CHK Chris Wang 30OCT2014			
TOLERANCES UNLESS OTHERWISE SPECIFIED:		APVD Xiang Xu 30OCT2014	NAME HD-064-M		
0 PLC ±- 1 PLC ±- 2 PLC ±- 3 PLC ±- 4 PLC ±- ANGLES ±-		PRODUCT SPEC 108-137042	RESTRICTED TO		
MATERIAL -		APPLICATION SPEC 114-137042	SIZE A3	CAGE CODE 00779	DRAWING NO T2020642101000
FINISH -		WEIGHT -	SCALE 1:1		
		Customer Drawing	SHEET 2 OF 2		
			REV B2		

1470-19 (3/11)

X-ON Electronics

Largest Supplier of Electrical and Electronic Components

Click to view similar products for [Headers & Wire Housings](#) category:

Click to view products by [TE Connectivity](#) manufacturer:

Other Similar products are found below :

[95000-104TRLF](#) [10135584-644402LF](#) [DF62W-EP2022PCA](#) [95000-106TRLF](#) [DF62W-2022SCA](#) [48050-002LF](#) [DF62W-EP2022PC](#) [2203348](#)
[DF62W-2022SC](#) [1084018](#) [1029039](#) [1084017](#) [802-10-012-10-002000](#) [1112640](#) [1112639](#) [000-34000](#) [0008550134](#) [0009482033](#) [0009507031](#)
[0009524054](#) [57102-F02-18ULF](#) [57102-S06-03LF](#) [57202-S52-04LF](#) [PCN6-15S-2.5E](#) [0039019024](#) [58102-G61-06LF](#) [582553-1](#) [0009485154](#)
[0009508121](#) [0022285053](#) [0050291907](#) [018731A](#) [LY20-4P-DT1-P1E-BR](#) [02.125.8002.8](#) [60101931](#) [60598-1 \(Cut Strip\)](#) [M1625-3R/100](#) [61062-3](#)
[61082-181009](#) [636-1427](#) [638009-1](#) [641938-9](#) [641991-4](#) [644168-1](#) [644827-2](#) [647662-1](#) [65039-019ELF](#) [65692-001LF](#) [65781-018](#) [65781-047](#)