



Star-delta switch Surface mounting



Powering Business Worldwide™

Part no. T3-5-15876/I2

Article no. 207537

Delivery programme

| | | | |
|-----------------------------|----------------|----|--|
| Product range | | | Switch-disconnectors |
| Basic function | | | Reversing star-delta switches |
| Part group reference | | | T3 |
| Design | | | Surface mounting |
| | | | |
| Protection type | | | IP65 |
| | | | totally insulated |
| Emergency stop | | | without emergency switching off/emergency stop function |
| | | | with black thumb grip and front plate two-way operating direction |
| Contact sequence | | | |
| Front plate no. | | | FS 638 |
| Main conducting paths | | | |
| No. of poles | | M | 3 |
| Max. motor rating | | | |
| AC-23A | | | |
| 400/415 V 50-60 Hz | P | kW | 13 |
| Rated uninterrupted current | I _u | A | 32 |

Approvals

Product Standards
UL File No.
UL CCN
CSA File No.
CSA Class No.
NA Certification
Specially designed for NA
Suitable for
Degree of Protection

UL 508; CSA-C22.2 No. 14-05; CSA-C22.2 No. 94; IEC/EN 60947-3; CE marking
E36332
NLRV
12528
3211-05
UL listed, CSA certified
Yes, in combination with "+NA-I2" (105866)
Branch circuits, suitable as motor disconnect
IEC: IP65; UL/CSA Type 3R, 12

General

| | | | |
|----------------------|------------|----------------------|--|
| Standards | | | IEC/EN 60947, VDE 0660, IEC/EN 60204, CSA, UL Switch-disconnectors to IEC/EN 60947-3 Load-break switches to IEC/EN 60947-3 |
| Lifespan, mechanical | Operations | x 10 ⁶ | 0.5 |

| | | | |
|---|-----------------------------|------------|--|
| Maximum operating frequency | | Operations | 3000 |
| Climatic proofing | | | Damp heat, constant, to IEC 60068-2-78; Damp heat, cyclical, to IEC 60068-2-30 |
| Ambient temperature | | °C | |
| Open | | °C | - 25 - 50 |
| Enclosed | | °C | - 25 - 40 |
| Mounting position | | | As required |
| Mechanical shock resistance to IEC 60068-2-27 | Half-sinusoidal shock 20 ms | g | > 15 |

Contacts

| | | | |
|---|-----------|----------------|----------------------|
| Rated operational voltage | U_e | V AC | 690 |
| Rated impulse withstand voltage | U_{imp} | V AC | 6000 |
| Overvoltage category/pollution degree | | | III/3 |
| Rated uninterrupted current | I_u | A | |
| open | I_u | A | 32 |
| Enclosed | I_u | A | 32 |
| Load rating with intermittent operation, class 12 | | | |
| AB 25 % DF | | $x I_e$ | 2 |
| AB 40 % DF | | $x I_e$ | 1.6 |
| AB 60 % DF | | $x I_e$ | 1.3 |
| Short-circuit rating | | | |
| Fuse | | A gG/ gL | 35 |
| Rated short-time withstand current (1 s current) | I_{cw} | A_{rms} | 650 |
| Safe isolation to VDE 0106 Part 101 and Part 101/A1 | | | |
| between the contacts | | V AC | 440 |
| Switching angles | | ° | 90 60 45 30 |
| Contact units | | | 11 |
| Double-break contacts | | | max. 22 |
| Current heat loss per contact at I_e | | W | 1.1 |

Terminal capacities

| | | | |
|------------------------------------|--|-----------------|----------------------------------|
| Solid or stranded | | mm ² | 1 x (1 - 6) 2 x (1 - 6) |
| Flexible with ferrule to DIN 46228 | | mm ² | 1 x (0.75 - 4) 2 x (0.75 - 4) |
| Terminal screw | | | M4 |
| Tightening torque | | Nm | 2 |

Switching capacity

| | | | |
|--|-------|---------|------|
| AC | | $x U_s$ | |
| Rated making capacity $\cos \varphi = 0.35$ | | A | 320 |
| Rated breaking capacity, motor load switch $\cos \varphi = 0.35$ | | A | |
| 230 V | | A | 260 |
| 400 V | | A | 260 |
| 500 V | | A | 240 |
| 690 V | | A | 170 |
| Rated operational current 440 V load-break switch AC-21A | I_e | A | 32 |
| Rating, AC-3 motor load switch | P | kW | |
| 220 V 230 V | P | kW | 7.5 |
| 230 V Star-delta | P | kW | 11 |
| 380 V 400 V | P | kW | 18.5 |
| 400 V Star-delta | P | kW | 18.5 |

| | | | |
|---|-------------------|------------------|---|
| 500 V | P | kW | 15 |
| 500 V Star-delta | P | kW | 22 |
| 660 V 690 V | P | kW | 22 |
| 690 V Star-delta | P | kW | 22 |
| AC-23A Motor load switches (main switches maintenance switches) | P | kW | |
| 230 V | P | kW | 7.5 |
| 400 V | P | kW | 13 |
| 500 V | P | kW | 15 |
| Rated operational current control switch AC-15 | | | |
| 220 V 230 V 240 V | I _e | A | 10 |
| 380 V 400 V 415 V | I _e | A | 6 |
| 500 V | I _e | A | 4 |
| DC | | x U _s | |
| DC-1, Load-break switches L/R = 1 ms | | | |
| Rated operational current | I _e | A | 25 |
| Voltage per contact pair in series | | V | 60 |
| DC-21A | I _e | A | |
| Rated operational current 240 V | I _e | A | 1 |
| 240 V Contacts | | Quantity | 1 |
| DC-23A, motor load switch L/R = 15 ms | | | |
| 24 V | | | |
| Rated operational current | I _e | A | 25 |
| Contacts | | Quantity | 1 |
| 48 V | | | |
| Rated operational current | I _e | A | 25 |
| Contacts | | Quantity | 2 |
| 60 V | | | |
| Rated operational current | I _e | A | 25 |
| Contacts | | Quantity | 3 |
| 120 V | | | |
| Rated operational current | I _e | A | 12 |
| Contacts | | Quantity | 3 |
| 240 V | | | |
| Rated operational current | I _e | A | 5 |
| Contacts | | Quantity | 5 |
| DC-13, Control switches L/R = 50 ms | | | |
| Rated operational current | I _e | A | 20 |
| Voltage per contact pair in series | | V | 32 |
| Control circuit reliability at 24 V DC, 10 mA | Fault probability | H _F | < 10 ⁻⁵ , < 1 fault in 100000 operations |

Notes

Notes Mechanical shock resistance: >12g

The following applies for solid, multiwire, and flexible terminal capacities:

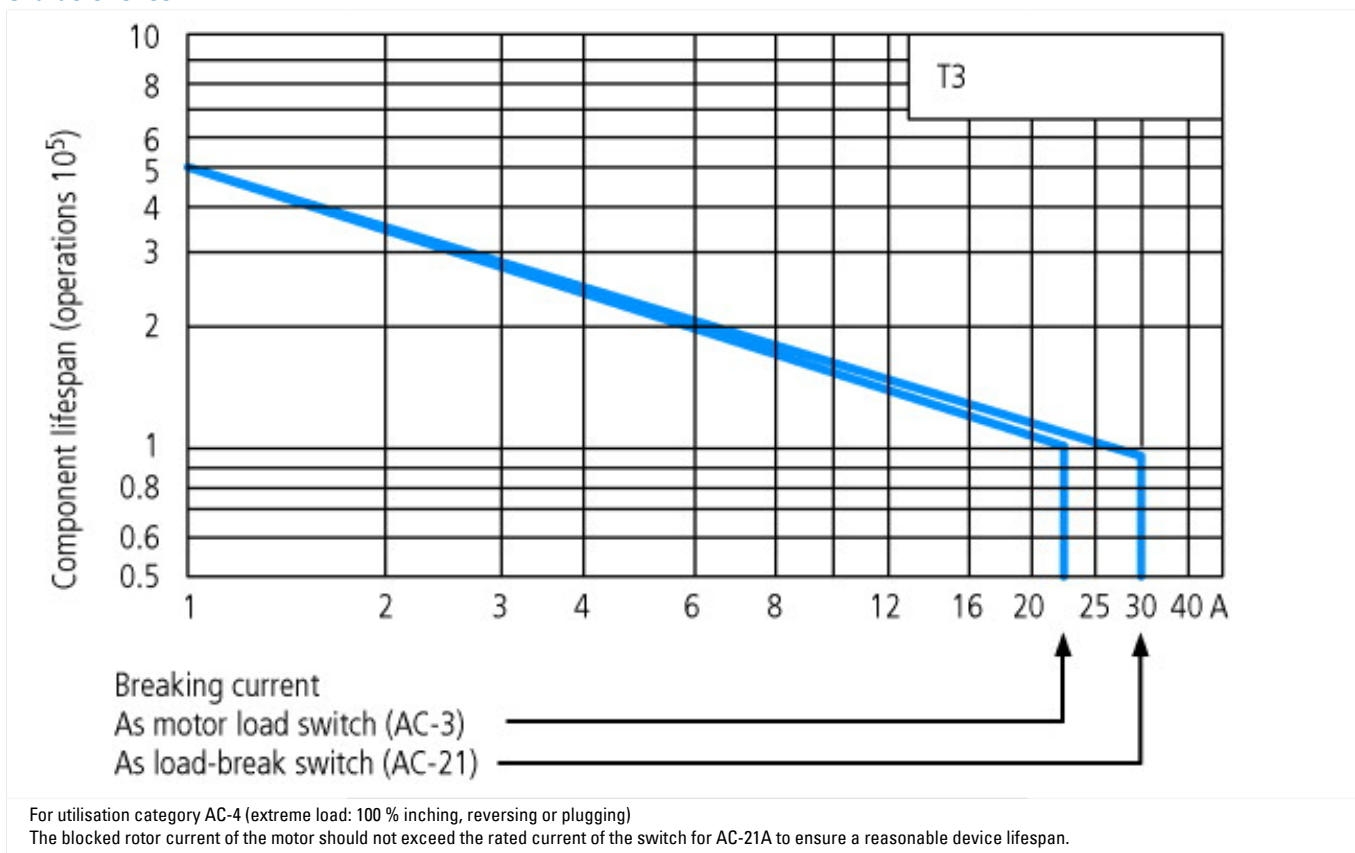
If 2 conductors are being used, a max. difference of 2 cross-section categories is permissible

Technical data ETIM 4.0

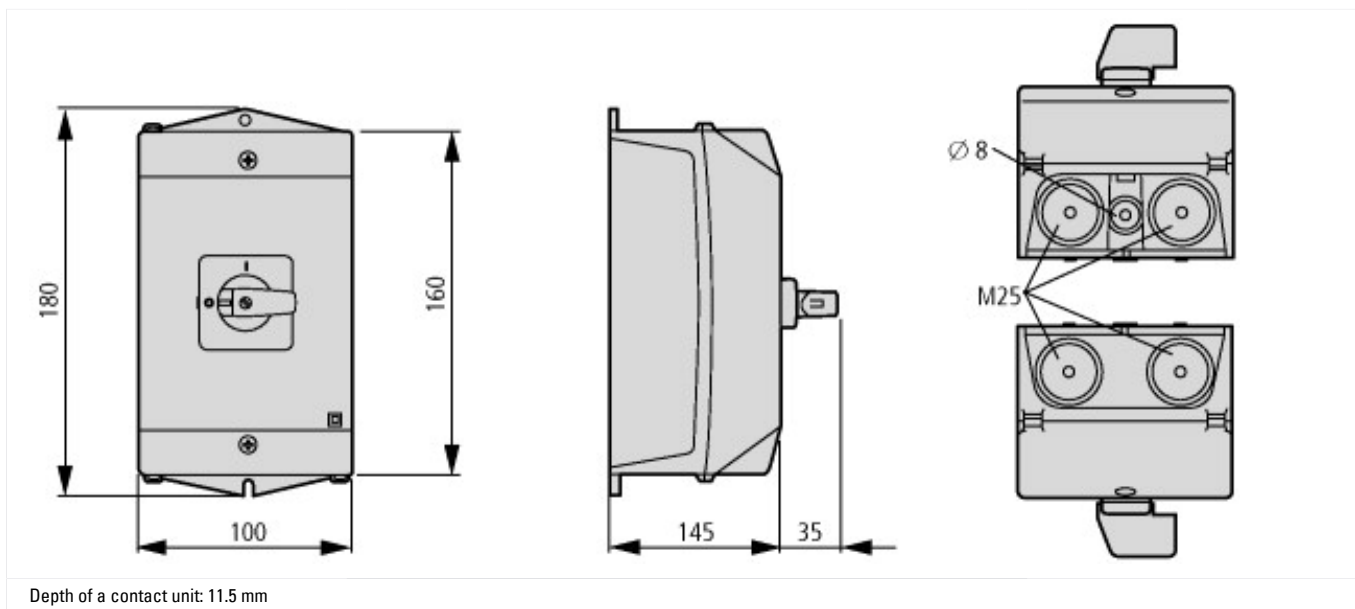
| | | | |
|---|--|-----|---------------------|
| Number of auxiliary contacts as N/Cs | | | 0 |
| With 0 (off) position | | | YES |
| Type | | | Star-delta switches |
| Motor rating at AC-3, 400 V | | kWh | 18.5 |
| Number of auxiliary contacts as N/Os | | | 0 |
| Suitable for front mounting | | | No |
| Protection type (IP), at front | | | IP65 |
| Rated uninterrupted current I _u | | A | 32 |
| Suitable for base fixing | | | YES |
| Number of auxiliary contacts as changeover contacts | | | 0 |

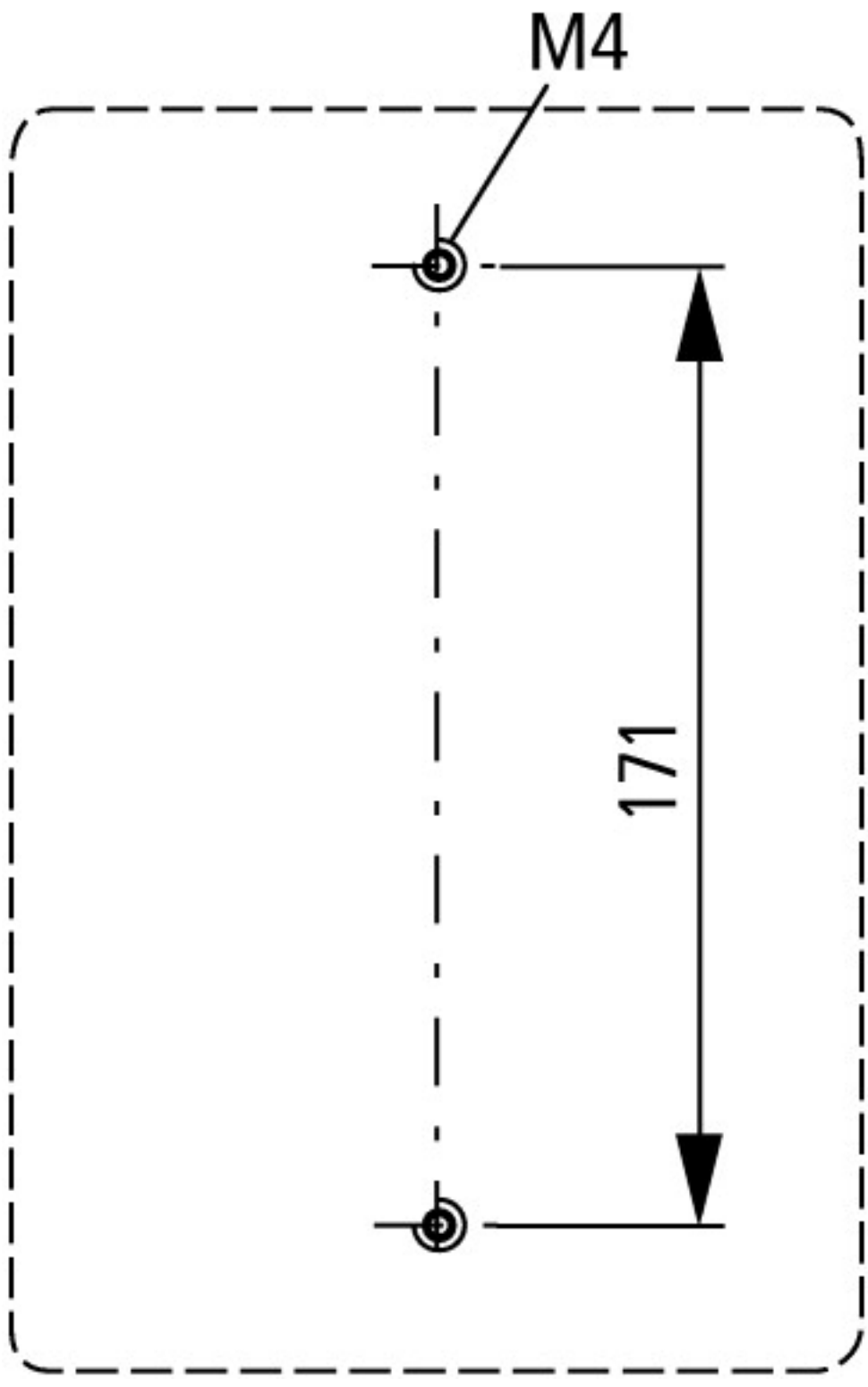
| | | |
|--|--|------------------|
| Suitable for distribution board installation | | No |
| Suitable for rear mounting | | No |
| Complete device in housing | | YES |
| Type of control element | | Toggle |
| Number of poles | | 3 |
| Connection type main circuit | | Screw connection |

Characteristics



Dimensions





Diameter of drilled hole Bottom

Additional product information (links)

IL03801008Z (AWA1150-1688) Cam switch: Surface mounting enclosure

IL03801008Z (AWA1150-1688) Cam switch: Surface mounting enclosure

ftp://ftp.moeller.net/DOCUMENTATION/AWA_INSTRUCTIONS/IL03801008Z2011_06.pdf

<http://ecat.moeller.net/flip-cat/?edition=HPLEN&startpage=4.87>

<http://ecat.moeller.net/flip-cat/?edition=K115A&startpage=52>

X-ON Electronics

Largest Supplier of Electrical and Electronic Components

Click to view similar products for [Basic / Snap Action Switches](#) category:

Click to view products by [Eaton](#) manufacturer:

Other Similar products are found below :

[83228001](#) [01.098.1358.1](#) [602EN1-6B](#) [602EN532](#) [602EN535-RB](#) [602HE5-RB1](#) [604HE162](#) [604HE223-6B](#) [624HE17-RB](#) [6HM89](#) [6PA78-JM](#)
[6SE1](#) [6SX1-H58](#) [70500840](#) [MBD5B1](#) [MBH2731](#) [73-316-0012](#) [79211759](#) [79211923](#) [79218589](#) [7AS12](#) [ML-1155](#) [ML-1376](#) [831010C3.0](#)
[831060C3.TL](#) [831090C2.EL](#) [83131904](#) [84212012](#) [8AS239](#) [8HM73-3](#) [903VB1-PG](#) [914CE1-6G](#) [PL-100](#) [11SM1077-H4](#) [11SM1077-H58](#)
[11SM1-TN107](#) [11SM405](#) [11SM703-T](#) [11SM8423-H2](#) [11SX37-T](#) [11SX48-H58](#) [11SX55-H58](#) [11SM2442-T](#) [11SM76-T](#) [11SM77-H58](#)
[11SM77-T](#) [11SM863-T](#) [11SM866](#) [11SX47-H58](#) [A7CN-1M-1-LEFT](#)