

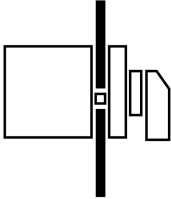
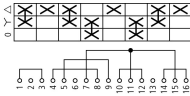
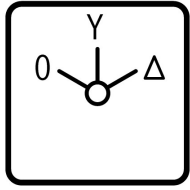
## Star-delta switch Flush mounting



Powering Business Worldwide™

**Part no.** T5B-4-8410/E  
**Article no.** 092052

### Delivery programme

|                             |                |    |  |
|-----------------------------|----------------|----|--|
| Product range               |                |    | Switch-disconnectors   |
| Basic function              |                |    | Star-delta switches  |
| Part group reference        |                |    | T5B  |
| Design                      |                |    | Flush mounting   |
|                             |                |    |                |
| Protection type             |                |    | Front IP65   |
| Emergency stop              |                |    | without emergency switching off/emergency stop function<br>with black thumb grip and front plate |
| Contact sequence            |                |    |                |
| Front plate no.             |                |    | <br>FS 635    |
| Main conducting paths       |                |    |  |
| No. of poles                |                | M  | 3  |
| Max. motor rating           |                |    |  |
| AC-23A                      |                |    |  |
| 400/415 V<br>50-60 Hz       | P              | kW | 22   |
| Rated uninterrupted current | I <sub>u</sub> | A  | 63   |

### Approvals

Product Standards  
 UL File No.  
 UL CCN  
 CSA File No.  
 CSA Class No.  
 NA Certification  
 Suitable for  
 Degree of Protection

UL 508; CSA-C22.2 No. 14-05; IEC/EN 60947-3; CE marking  
 E36332  
 NLRV  
 12528  
 3211-05  
 UL listed, CSA certified  
 Branch circuits, suitable as motor disconnect  
 IEC: IP65; UL/CSA Type 3R, 12

### General

|                             |            |                      |  |
|-----------------------------|------------|----------------------|--|
| Standards                   |            |                      | IEC/EN 60947, VDE 0660, IEC/EN 60204, CSA, UL<br>Switch-disconnectors to IEC/EN 60947-3<br>Load-break switches to IEC/EN 60947-3 |
| Lifespan, mechanical        | Operations | x<br>10 <sup>6</sup> | 0.5  |
| Maximum operating frequency |            | Operations/h         | 3000   |
| Climatic proofing           |            |                      | Damp heat, constant, to IEC 60068-2-78; Damp heat, cyclical, to IEC 60068-2-30   |
| Ambient temperature         |            | °C                   |  |
| Open                        |            | °C                   | - 25 - 50  |
| Enclosed                    |            | °C                   | - 25 - 40  |
| Mounting position           |            |                      | As required  |

|   |                             |   |      |
|---|-----------------------------|---|------|
| Mechanical shock resistance to IEC 60068-2-27 | Half-sinusoidal shock 20 ms | g | > 15 |
|---|-----------------------------|---|------|

## Contacts

|   |           |                |                      |
|---|-----------|----------------|----------------------|
| Rated operational voltage                           | $U_e$     | V<br>AC        | 690                  |
| Rated impulse withstand voltage                     | $U_{imp}$ | V<br>AC        | 6000                 |
| Overvoltage category/pollution degree               |           |                | III/3                |
| Rated uninterrupted current                         | $I_u$     | A              |                      |
| open  | $I_u$     | A              | 63                   |
| Enclosed  | $I_u$     | A              | 63                   |
| Load rating with intermittent operation, class 12   |           |                |                      |
| AB 25 % DF  |           | $\times I_e$   | 2                    |
| AB 40 % DF  |           | $\times I_e$   | 1.6                  |
| AB 60 % DF  |           | $\times I_e$   | 1.3                  |
| Short-circuit rating                                |           |                |                      |
| Fuse  |           | A<br>gG/<br>gL | 80                   |
| Rated short-time withstand current (1 s current)    | $I_{cw}$  | $A_{rms}$      | 1300                 |
| Safe isolation to VDE 0106 Part 101 and Part 101/A1 |           |                |                      |
| between the contacts                                |           | V<br>AC        | 440                  |
| Switching angles                                    |           | °              | 90<br>60<br>45<br>30 |
| Contact units                                       |           |                | 10                   |
| Double-break contacts                               |           |                | max. 20              |
| Current heat loss per contact at $I_e$              |           | W              | 4.5                  |

## Terminal capacities

|                                    |  |                 |                                  |
|------------------------------------|--|-----------------|----------------------------------|
| Solid or stranded                  |  | mm <sup>2</sup> | 1 x (2.5 - 35)<br>2 x (2.5 - 16) |
| Flexible with ferrule to DIN 46228 |  | mm <sup>2</sup> | 1 x (1.5 - 25)<br>2 x (1.5 - 10) |
| Terminal screw                     |  |                 | M6                               |
| Tightening torque                  |  | Nm              | 4                                |

## Switching capacity

|  |       |              |     |
|--|-------|--------------|-----|
| AC   |       | $\times U_s$ |     |
| Rated making capacity $\cos \varphi = 0.35$                      |       | A            | 800 |
| Rated breaking capacity, motor load switch $\cos \varphi = 0.35$ |       | A            |     |
| 230 V  |       | A            | 520 |
| 400 V  |       | A            | 600 |
| 500 V  |       | A            | 480 |
| 690 V  |       | A            | 340 |
| Rated operational current 440 V load-break switch AC-21A         | $I_e$ | A            | 63  |
| Rating, AC-3 motor load switch                                   | P     | kW           |     |
| 220 V 230 V  | P     | kW           | 22  |
| 230 V Star-delta   | P     | kW           | 22  |
| 380 V 400 V  | P     | kW           | 37  |
| 400 V Star-delta   | P     | kW           | 37  |
| 500 V  | P     | kW           | 22  |
| 500 V Star-delta   | P     | kW           | 37  |
| 660 V 690 V  | P     | kW           | 37  |
| 690 V Star-delta   | P     | kW           | 37  |
| AC-23A Motor load switches (main switches maintenance switches)  | P     | kW           |     |
| 230 V  | P     | kW           | 15  |
| 400 V  | P     | kW           | 22  |

|  |                   |                  |   |
|--|-------------------|------------------|---|
| 500 V  | P                 | kW               | 22  |
| 690 V  | P                 | kW               | 22  |
| Rated operational current control switch AC-15 |                   |                  |   |
| 220 V 230 V 240 V                              | I <sub>e</sub>    | A                | 16  |
| 380 V 400 V 415 V                              | I <sub>e</sub>    | A                | 6   |
| 500 V  | I <sub>e</sub>    | A                | 4   |
| DC   |                   | x U <sub>s</sub> |   |
| DC-1, Load-break switches L/R = 1 ms           |                   |                  |   |
| Rated operational current                      | I <sub>e</sub>    | A                | 63  |
| Voltage per contact pair in series             |                   | V                | 60  |
| DC-23A, motor load switch L/R = 15 ms          |                   |                  |   |
| 24 V   |                   |                  |   |
| Rated operational current                      | I <sub>e</sub>    | A                | 50  |
| Contacts                                       |                   | Quantity         | 1   |
| 48 V   |                   |                  |   |
| Rated operational current                      | I <sub>e</sub>    | A                | 50  |
| Contacts                                       |                   | Quantity         | 2   |
| 60 V   |                   |                  |   |
| Rated operational current                      | I <sub>e</sub>    | A                | 50  |
| Contacts                                       |                   | Quantity         | 3   |
| 120 V  |                   |                  |   |
| Rated operational current                      | I <sub>e</sub>    | A                | 25  |
| Contacts                                       |                   | Quantity         | 3   |
| 240 V  |                   |                  |   |
| Rated operational current                      | I <sub>e</sub>    | A                | 20  |
| Contacts                                       |                   | Quantity         | 6   |
| DC-13, Control switches L/R = 50 ms            |                   |                  |   |
| Rated operational current                      | I <sub>e</sub>    | A                | 25  |
| Voltage per contact pair in series             |                   | V                | 24  |
| Control circuit reliability at 24 V DC, 10 mA  | Fault probability | H <sub>F</sub>   | < 10 <sup>-5</sup> , < 1 fault in 100000 operations |

## Notes

**Notes** The following applies for solid, multiwire, and flexible terminal capacities:

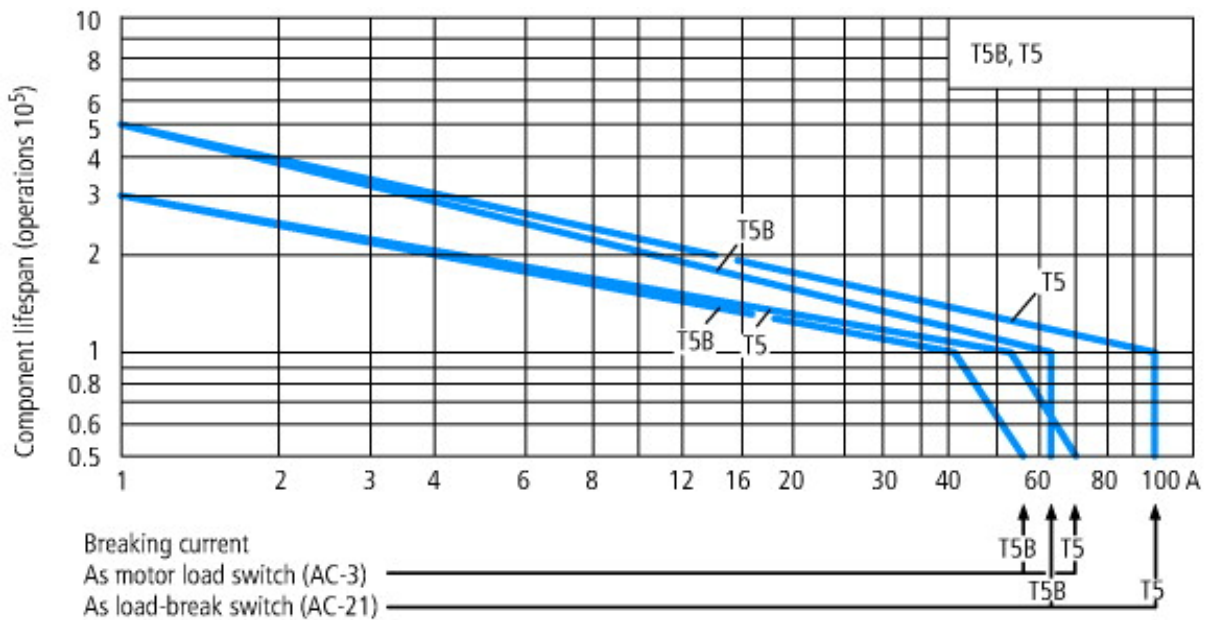
If 2 conductors are being used, a max. difference of one cross-section category is permissible

The following applies for part no. T8-3-8342/...: switching angle = 90° and flat terminal = 1 rail, 25 x 5, or 2 rails, 20 x 3

## Technical data ETIM 4.0

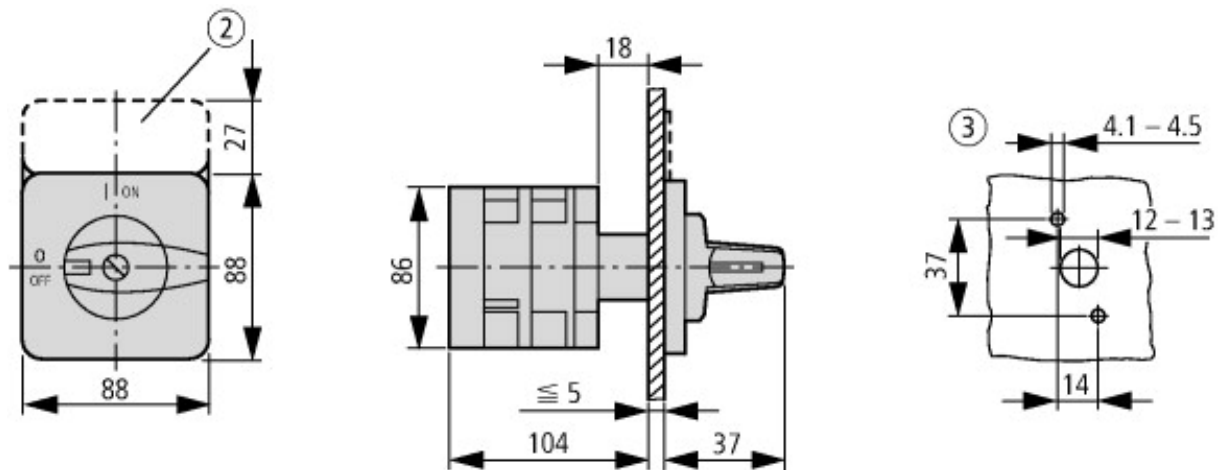
|   |  |     |                  |
|---|--|-----|------------------|
| Number of auxiliary contacts as N/Cs                |  |     | 0                |
| With 0 (off) position                               |  |     | YES              |
| Type  |  |     | On/Off switch    |
| Motor rating at AC-3, 400 V                         |  | kWh | 37               |
| Number of auxiliary contacts as N/Os                |  |     | 0                |
| Suitable for front mounting                         |  |     | YES              |
| Protection type (IP), at front                      |  |     | IP65             |
| Rated uninterrupted current I <sub>u</sub>          |  | A   | 63               |
| Suitable for base fixing                            |  |     | No               |
| Number of auxiliary contacts as changeover contacts |  |     | 0                |
| Suitable for distribution board installation        |  |     | No               |
| Suitable for rear mounting                          |  |     | No               |
| Complete device in housing                          |  |     | No               |
| Type of control element                             |  |     | Toggle           |
| Number of poles                                     |  |     | 3                |
| Connection type main circuit                        |  |     | Screw connection |

## Characteristics



For utilisation category AC-4 (extreme load: 100 % inching, reversing or plugging)  
 The blocked rotor current of the motor should not exceed the rated current of the switch for AC-21A to ensure a reasonable device lifespan.

### Dimensions



- ② Label mount not included as standard
- ③ Drilling dimensions door  
 One contact unit depth: 16.5 mm  
 Cam switches T5B and T5 are same size, only their contacts are different

### Additional product information (links)

**IL03801009Z (AWA1150-1692) Cam switch: switch-disconnector**

IL03801009Z (AWA1150-1692) Cam switch: switch-disconnector

[ftp://ftp.moeller.net/DOCUMENTATION/AWA\\_INSTRUCTIONS/IL03801009Z2011\\_06.pdf](ftp://ftp.moeller.net/DOCUMENTATION/AWA_INSTRUCTIONS/IL03801009Z2011_06.pdf)

<http://ecat.moeller.net/flip-cat/?edition=HPLEN&startpage=4.87>

<http://ecat.moeller.net/flip-cat/?edition=K115A&startpage=141>

## X-ON Electronics

Largest Supplier of Electrical and Electronic Components

*Click to view similar products for [Basic / Snap Action Switches](#) category:*

*Click to view products by [Eaton](#) manufacturer:*

Other Similar products are found below :

[83228001](#) [01.098.1358.1](#) [602EN1-6B](#) [602EN532](#) [602EN535-RB](#) [602HE5-RB1](#) [604HE162](#) [604HE223-6B](#) [624HE17-RB](#) [6HM89](#) [6PA78-JM](#)  
[6SE1](#) [6SX1-H58](#) [70500840](#) [MBD5B1](#) [MBH2731](#) [73-316-0012](#) [79211759](#) [79211923](#) [79218589](#) [7AS12](#) [ML-1155](#) [ML-1376](#) [831010C3.0](#)  
[831060C3.TL](#) [831090C2.EL](#) [83131904](#) [84212012](#) [8AS239](#) [8HM73-3](#) [903VB1-PG](#) [914CE1-6G](#) [PL-100](#) [11SM1077-H4](#) [11SM1077-H58](#)  
[11SM1-TN107](#) [11SM405](#) [11SM703-T](#) [11SM8423-H2](#) [11SX37-T](#) [11SX48-H58](#) [11SX55-H58](#) [11SM2442-T](#) [11SM76-T](#) [11SM77-H58](#)  
[11SM77-T](#) [11SM863-T](#) [11SM866](#) [11SX47-H58](#) [A7CN-1M-1-LEFT](#)