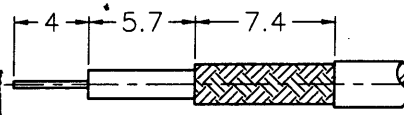


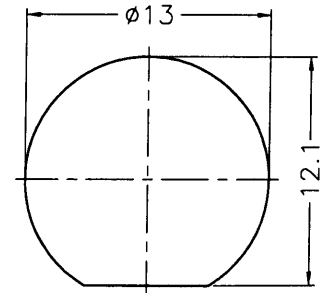
REVISIONS			
ISS	ZONE	DESCRIPTION\PER REQUEST\DATE	

1. CRIMPED FERRULE
HEX CRIMP SIZE .178"
2. CRIMPED CONTACT PIN
HEX CRIMP SIZE .068"
3. MAX. PANEL THICKNESS=3.7mm

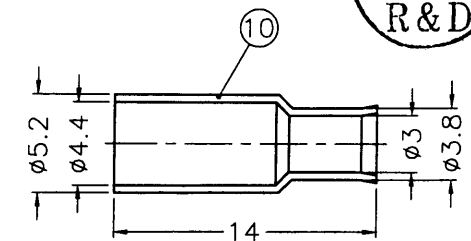
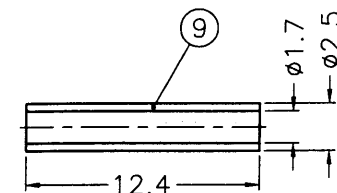
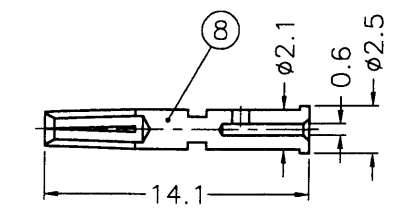
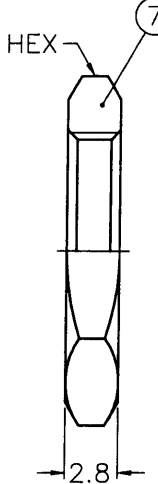
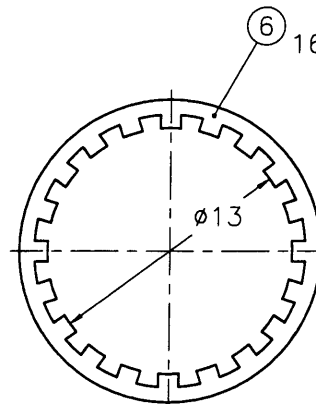
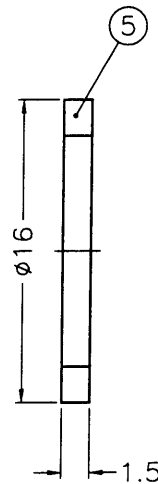
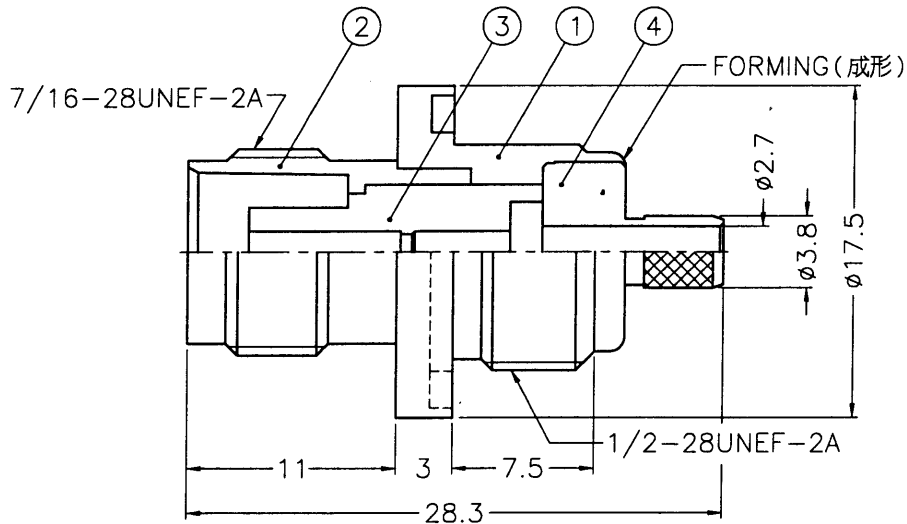
SALES



RECOMMENDED
CABLE STRIPPING DIM'S
(建議剝線尺寸)



RECOMMENDED
MOUNTING HOLE
(建議架設孔)



ISSUED
2001. 10. 17
R&D

NOTES: FINISH (PLATING THICKNESS IN MICRO-INCHES)

1. BRASS PER QQ-B-626
2. BRASS PER QQ-B-613
3. NICKEL PL. 100 MIN. THICK OVER COPPER STRIKE
4. PHOSPHOR BRONZE PER QQ-B-750
5. GOLD PL. 3 MIN. THICK OVER NICKEL PL. 100 MIN. THICK OVER COPPER STRIKE
6. JIS H 3260, C 3501
7. TEFLON MIL-P-19468

10	FERRULE	NOTE 6	NOTE 3	1	FR-52/44-38/3X14
9	SLEEVE	DELIN	NATURAL	1	SL-25/17X124
8	CONTACT PIN	NOTE 4	NOTE 5	1	B74000-8-25/06
7	HEX NUT	NOTE 1	NOTE 3	1	HN16-1/2-28X28
6	LOCK WASHER	NOTE 2	NOTE 3	1	LW-16/13X05
5	GASKET	RUBBER	RED	1	GS-16/122X15
4	BARREL	NOTE 1	NOTE 3	1	BRO0ADK01A
3	INSULATOR	NOTE 7	NATURAL	1	B74000-3T-50
2	BODY	NOTE 1	NOTE 3	1	T74000-2
1	HOUSING	NOTE 1	NOTE 3	1	HS00ACW01A
NO.	DESCRIPTION	MATERIAL	FINISH	Q'TY	DRAWING NO.

DIMENSIONS ARE IN MILLIMETERS		PART NO.	
UNLESS OTHERWISE SPECIFIED TOLERANCES		APPROVED	DATE
0.5-6 = ±0.2		<i>Mark C</i>	10-12-01'
6-30 = ±0.4		CHECKED	DATE
30-120 = ±0.6		<i>Loose</i>	10-12-01'
120-315 = ±1		DRAWN	DATE
315-1000 = ±1.6		<i>Loose</i>	10-12-01'
1000-2000 = ±2.4		FILE NO.	F:\DWG\T\6321U1\003\50\NT3G

Amphenol - Kai Jack	
TAINAN TAIWAN	
TITLE TNC BULKHEAD CRIMP JACK (FOR RG-174/U,188A/U,316/U)	
DRAWING NO. KJ-T6321U1-003-NT3G-50	
ITEM NO. 026321AAA36NA5F	

F
E
D
C
B
A

F
E
D
C
B
A

X-ON Electronics

Largest Supplier of Electrical and Electronic Components

Click to view similar products for [RF Connectors / Coaxial Connectors](#) category:

Click to view products by [Amphenol](#) manufacturer:

Other Similar products are found below :

[R125315120](#) [8915-1511-000](#) [89674-0827](#) [0106-001-000](#) [6-0001-3](#) [6001-7071-019](#) [6002-7051-003](#) [6002-7551-202](#) [6059674-1](#) [619550-1](#)
[630059-000](#) [M39012/25-0021](#) [M39012/79-3008](#) [M39030/3-03N](#) [M3933/25-29N](#) [M3933/25-36N](#) [6500-7071-046](#) [6501-1071-002](#)
[M83723/72W24576](#) [M83723/72W2457N](#) [6769](#) [CX050L2AQ](#) [7002-1541-010](#) [7002-1572-002](#) [7003-1542-011](#) [7003-1572-002](#) [7004-1512-000](#)
[7009-1511-004](#) [7010-1511-000](#) [7029-1511-060](#) [7101-1541-010](#) [7101-1571-002](#) [7105-1521-002](#) [7145-1521-002](#) [7209-1511-011](#) [7210-1511-](#)
[012](#) [7210-1511-015](#) [7210-1511-019](#) [7210-1511-040](#) [7225-1512-050](#) [7242-1511-000](#) [73137-5015](#) [73216-2241](#) [73251-0111](#) [73251-0672](#)
[7325-1512-000](#) [73276-1501](#) [73366-0013](#) [73404-2300](#) [73413-6080](#)