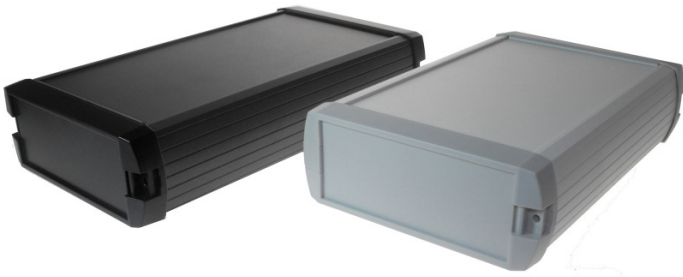


DIECAST AND METAL ENCLOSURES

55 Series Dura Boxes

Aluminium extruded boxes with plastic end-caps for hand-held applications.

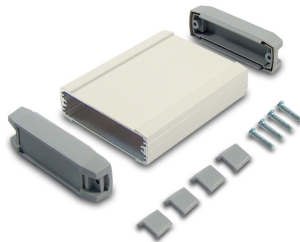
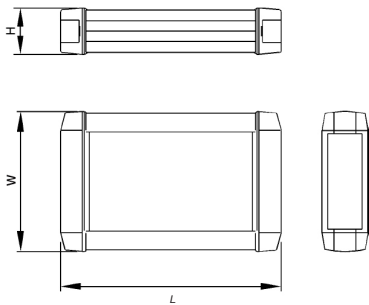
- Extruded aluminium profile
- Integral PCB mounting rails
- Front & rear plastic caps retained by 4x M3 screws
- Plastic screw covers for aesthetic appearance
- Recesses in lid & base for membrane keypads or overlays
- Textured sides for good grip
- Optional neoprene gasket for IP65 seal



SPECIFICATION

Materials	Extruded profile epoxy painted grade 6063 T5 tempered aluminium End caps & screw covers high grade ABS, UL94-V0
Protection class	IP54 as standard IP65 with optional gasket
Standard colours	Profile light grey similar to RAL 9002 or black similar to RAL 9004 End caps & screw covers RAL 7044, light grey or RAL 9004, black
Standard unit includes	Profile, 2x end caps, 4x screw covers, 4x mounting screws

BLACK	LIGHT GREY	LENGTH	WIDTH	HEIGHT
CEAREPB01	CEAREPG01	130mm	82mm	27mm
CEAREPB02	CEAREPG02	160mm	82mm	27mm
CEAREPB03	CEAREPG03	160mm	102mm	37mm
CEAREPB04	CEAREPG04	190mm	102mm	37mm
CEAREPB05	CEAREPG05	190mm	122mm	47mm
CEAREPB06	CEAREPG06	220mm	122mm	47mm



55-IP Gasket

- Neoprene gasket, IP65 seal
- Resistant to acids and gasoline
- Suitable for outdoor applications



TYPE NO.	DESCRIPTION
CEAREGASK	55-IP Gasket

UNIVERSAL ENCLOSURES

HAND HELD CASES

HEAVY DUTY ENCLOSURES

DIN RAIL ENCLOSURES

INTERFACE SUPPORTS

CONTROL STATIONS

DIECAST & METAL ENCLOSURES

DESKTOP & INSTRUMENT CASES

POTTING BOXES

19" ENCLOSURES

19" CABINETS

DEVELOPMENT BOARD ENCLOSURES

CUSTOM SIZED ENCLOSURES

CUSTOM SERVICES

X-ON Electronics

Largest Supplier of Electrical and Electronic Components

Click to view similar products for [Camden manufacturer](#):

Other Similar products are found below :

[CCTTR30RD](#) [412689X](#) [CTBP92VE/12R](#) [CTBP9350/12](#) [IND515205-240-T/GRN](#) [IND515205-240-T/RD](#) [CDIC00002](#) [CCTTBES](#)
[C192SHAND](#) [RX510A](#) [RTM5006/16-PAT](#) [CTB9350/12FL](#) [CTBP9308/6AO](#) [CTBP9358/11](#) [CTBP9208/8](#) [CIME/M/BE2250SS](#)
[CHH64E1BL](#) [CHD774004](#) [CHHBAT1BK](#) [CFTBN/2](#) [RTM5003/13-NAT](#) [CCB2S1/04](#) [CCM1S1/05](#) [CHDX7-224C](#) [CHDX8-221](#) [CHDX8-222](#) [CHDX8-231C](#) [CHDX810DD](#) [CHDX811DD](#) [CHDX814DD](#) [CTB9300/2A](#) [CTBP92VD/5R](#) [CTBP92VJ/8R](#) [CTSN431/12/M](#)
[CTSN433/12/M](#) [CUABOX012](#) [CDIC00005](#) [CBRPH-BLK](#) [BIM2004/LUG-GY/GY](#) [RTM5005/15-WH](#) [RTM108-BLK](#) [CNMB/4/KIT](#)
[CTB5050/5](#) [CTBP9358/10AO](#) [CTBP93VE/9](#) [CHH66C2GY](#) [CIM/9W-DMFS](#) [RTM5006/16-NC-BLK](#) [IND5032405-125-T/AMB](#) [CHTB4/3N](#)