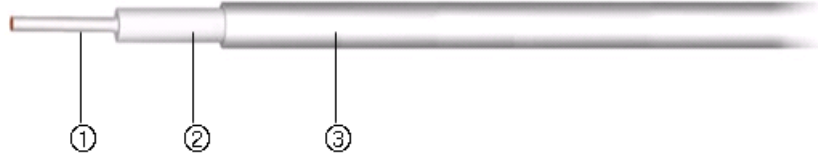


For information only

● General Information

- Technical Basis MIL-C-17/130
- Max. Operating Voltage Max. 1900Vrms
- Operating Temperature Range - 40°C ~ 125°C

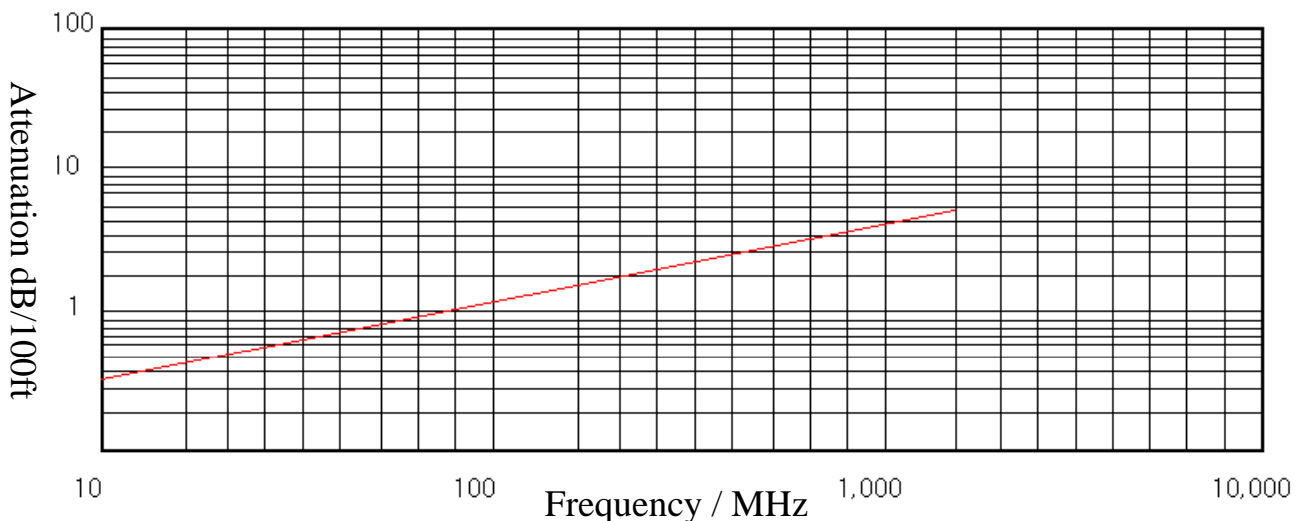
● Physical Structure



Component	Material	Diameter	Notice
① Center conductor	SPCW	0.92mm(0.036inch)	Solid type
② Dielectric	PTFE(Solid)	2.98mm(0.117inch)	
③ Outer Shield	TC(Tube)	3.58mm(0.141inch)	100% Coverage

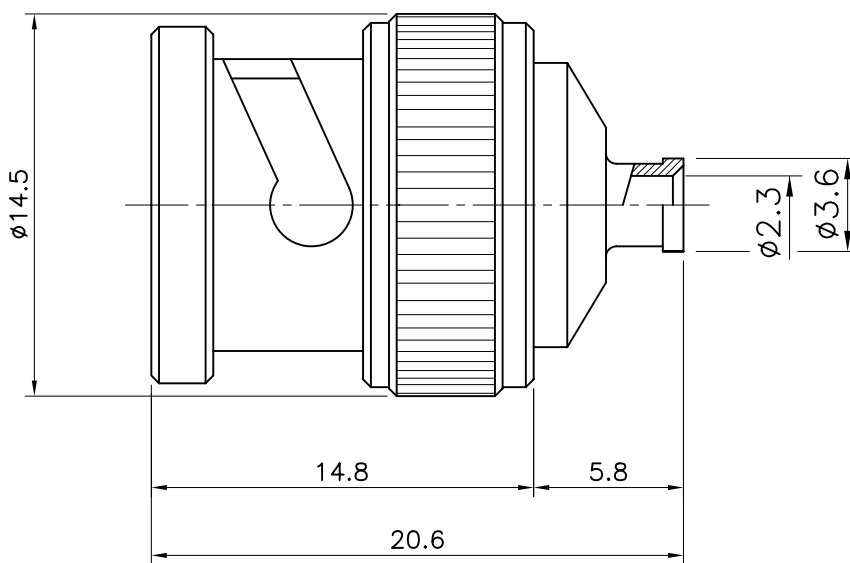
● Electrical Data

Item	Specification	Remarks
Operating frequency	Max. 20 GHz	
Conductor resistance	Max. 2.06 Ω / 100ft	at 20°C
Dielectric resistance	Min. 1000 MΩ.km	at 20°C
Test voltage	5000Vrms	1 min
Velocity of propagation	Nom. 69.5%	
Capacitance	Max. 29.9 pF/ft	
Characteristic impedance	50 ± 2Ω	
Approx. weight	46.7 kg/km	
Nom. Attenuation	8.0dB/100ft(0.26dB/m)	at 500MHz
	12.0dB/100ft(0.39dB/m)	at 1MHz
	21.0dB/100ft(0.69dB/m)	at 3GHz
	29.0dB/100ft(0.95dB/m)	at 5GHz
	45.0dB/100ft(1.48dB/m)	at 10GHz
	70.0dB/100ft(2.30dB/m)	at 20GHz



	1	2	3	4	
No.	Revision				
△					
△					

D
C
B
A



Connector parts	Materials	Finish
Coupling Cap	Brass	Nickel Plated
Body	Brass	Nickel Plated
Center contact	Brass	Gold Plated
Ferrule	Brass	Nickel Plated
Insulator	PTFE	—

CUSTOMER

NO.	DESCRIPTION	Q'TY
PARTS No.	1B-101-00	NA
MATERIAL	FINISH	TO o SC
Cross RF		DW
web: www.crossrf.com		

X-ON Electronics

Largest Supplier of Electrical and Electronic Components

Click to view similar products for [CROSS RF SOLUTIONS](#) manufacturer:

Other Similar products are found below :

[CROSS RF SOLUTIONS](#)