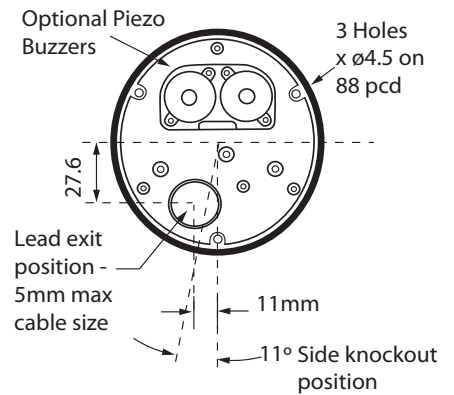
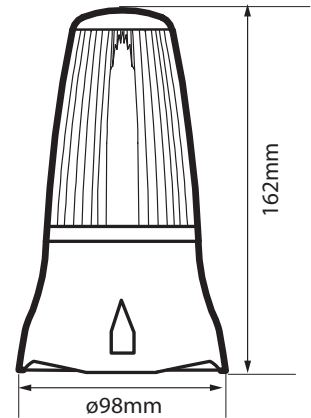




Visual Signals **XENON BEACONS**



Industrial Xenon Beacons > X125 DIN Base Series

Product overview

The X125 DIN base series are suitable for security, process control & generally light industrial signalling applications.

These beacons are of the Flashing mode type (single stage alarm) Xenon beacons (sometimes called strobes) are controlled via a PCB and put out a very brief but bright flash of white

light by ionizing and then discharging a large current through the xenon gas. The design allows for termination inside the enclosure via an M12 sealing grommet in the base.

The XA version incorporates two piezo buzzers situated in the base of the unit that can either be synchronised to the flash rate or controlled independently of the light offering a combined audible & visual warning device.

X125 DIN Base Series > Ordering Information

Code No:	Voltage:	Light Source:	Current:
X125-64	10-100v Dc --- 20-72v Ac ~	Xenon 2.0 J	130 mA •
X125-62	115v Ac ~	Xenon 2.3 J	30 mA
X125-63	230v Ac ~	Xenon 2.7 J	21 mA
Audible Option			
XA125-63	230v Ac ~	Xenon 2.7 J	120mA ••

• at 24v Dc ---

•• With both audible & visual signals operating at the same time

ADD THE FOLLOWING LENS CODES TO THE PRODUCT WHEN ORDERING **01** **02** **03** **04** **05**

Features

- Continuously rated
- Suitable for surface or wall mounting
- Optional wall bracket & guard available - see accessory page
- 3 point fix
- 360° light output around the vertical axis
- 180° light output around the horizontal axis
- Dustproof and Weatherproof

Material

UV Stable Polycarbonate Lens
UV Stable ABS Plastic Base

Kg 0.25 X125
0.34 XA125

50/60 Hz

°C -25+55

IP 65

FPM 60

INDUSTRIAL

APPROVALS and CONFORMITIES



dB 90 XA125

X-ON Electronics

Largest Supplier of Electrical and Electronic Components

Click to view similar products for [Moflash Signalling manufacturer](#):

Other Similar products are found below :

[FF200-87](#) [LED100-01-02](#) [LED100-01-04](#) [LEDA100-01-04](#) [LEDD100-01-02](#) [LEDD100-01-04](#) [LEDD100-02-02](#) [LEDD100-05-01](#) [FF400-87](#)
[TLM-P100](#) [LED80-04-04](#) [X195-05WH-02](#) [X401-18](#) [AE20M-115FA](#) [TLM-04](#) [TLM-02](#) [TLM-BC](#) [A8BM-24DC](#) [AP360M](#) [LED100-01-01](#)
[LEDD100-02-04](#) [LEDS100-02-04](#) [LED80-04-01](#) [LEDA100-02-04](#) [LEDD100-05-04](#) [X200-22FA](#) [LEDA100-03-01](#) [LED100-05-04](#)
[LED80-04-02](#) [LEDA100-01-02](#) [LEDD100-02-01](#) [LEDS100-02-01](#) [LEDS100-05-04](#) [FF201-85](#) [50067](#) [LEDA100-01-01](#) [X195-02WH-01](#)
[R201-14FA](#) [50065FA](#) [AB6-230AC](#) [RA200-25](#) [50004](#) [LED80-04-03](#) [LEDS100-05-01](#) [AE30M-FT-01](#) [LED100-02-04](#) [LED100-02-01](#)
[LED100-05-01](#) [AE20M-24FA](#) [X80-04-01](#)