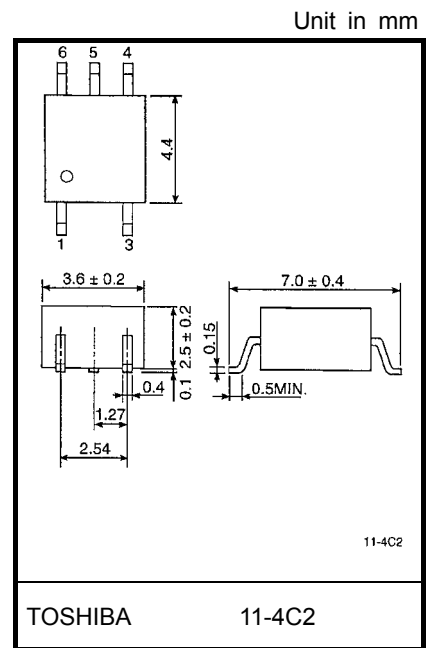


TLP116

PDP(Plasma Display Panel)
 High Speed Interface
 FA(Factory Automation)

The Toshiba TLP116 consists of a GaAlAs light-emitting diode and an integrated high-gain, high-speed photodetector.

- Inverter logic (totempole output)
- Package type : MFSOP6
- Guaranteed performance over temperature : -40~100°C
- Power supply voltage : 4.5~5.5V
- Input thresholds current : $I_{FHL}=5\text{mA}(\text{Max.})$
- Propagation delay time (tpHL/tpLH) : 60ns(Max.)
- Switching speed : 20MBd(TYP.)
- Common mode transient immunity : 10kV/us
- Isolation voltage : 3750Vrms
- UL Recognized : UL1577,File No.E67349

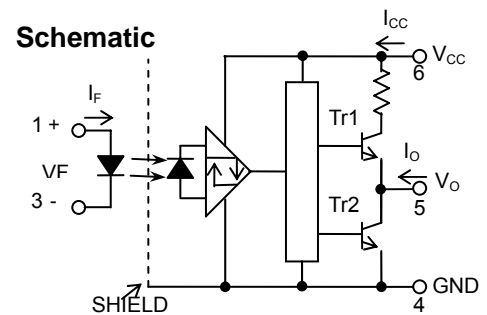
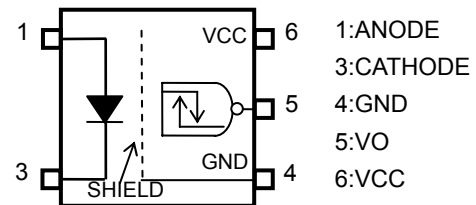


Weight: 0.09 g(Typ.)

Truth Table

Input	LED	Tr1	Tr2	Output
H	ON	OFF	ON	L
L	OFF	ON	OFF	H

Pin Configuration (Top View)



0.1uF bypass capacitor must be connected between pins 6 and 4

Maximum Ratings (Ta=25°C)

Characteristic		Symbol	Rating	Unit
LED	Forward current	I _F	20	mA
	Forward current derating (Ta≥85°C)	ΔI _F /ΔTa	-0.5	mA/°C
	Peak transient forward current (Note1)	I _{FPT}	1	A
	Reverse voltage	V _R	5	V
DETECTOR	Output current	I _O	10	mA
	Output voltage	V _O	6	V
	Supply voltage	V _{CC}	6	V
	Output power dissipation	P _O	40	mW
Operating temperature range		T _{opr}	-40~100	°C
Storage temperature range		T _{stg}	-55~125	°C
Lead solder temperature(10s)		T _{sol}	260	°C
Isolation voltage (AC, 1min., R.H.≤60%, Ta=25°C) (Note2)		BVs	3750	Vrms

Recommended Operating Conditions

Characteristic	Symbol	Min	Typ.	Max	Unit
Input current , ON	I _{F(ON)}	8	—	18	mA
Input voltage , OFF	V _{F(OFF)}	0	—	0.8	V
Supply voltage (Note3)	V _{CC}	4.5	5.0	5.5	V
Operating temperature	T _{opr}	-40	—	100	°C

Correlation between Input current , switching speed and drive circuit (reference information).

Input current (I _F)	test Circuit	Typical switching speed
12mA	1 (Page 4)	21 – 23 MBd
8mA	1 (Page 4)	18 – 20 MBd
8mA	2 (Page 4, With Speed up capacitor)	23 – 27 MBd

Note1 : Pulse width PW≤1us, 300pps.

Note2 : This device is regarded as a two terminal device : pins 1 and 3 are shorted together, as are pins 4,5 and 6.

Note3 : The detector of this product requires a power supply voltage (V_{CC}) of 4.5 V or higher for stable operation.

If the V_{CC} is lower than this value, an I_{CC} may increase, or an output may be unstable.

Be sure to use the product after checking the supply current, and the operation of a power-on/-off.

Electrical Characteristics

(Unless otherwise specified, Ta=-40 to 100°C, VCC=4.5~5.5V)

Characteristic	Symbol	Test Circuit	Conditions	Min.	Typ.	Max.	Unit
Input forward voltage	V _F	—	I _F =10mA, Ta=25°C	—	1.3	1.5	V
Temperature coefficient of forward voltage	ΔV _F /ΔTa	—	I _F =10mA	—	-2.0	—	mV/°C
Input reverse current	I _R	—	V _R =5V, Ta=25°C	—	—	10	μA
Input capacitance	C _T	—	V=0, f=1MHz, Ta=25°C	—	70	—	pF
Logic low output voltage	V _{OL}	1	I _{OL} =1.6mA, I _F =12mA, V _{CC} =5V	—	—	0.4	V
Logic high output voltage	V _{OH}	2	I _{OH} =-0.02mA, V _F =1.05V, V _{CC} =5V	4.0	—	—	V
Logic low supply current	I _{CCL}	3	I _F =12mA	—	—	5.0	mA
Logic high supply current	I _{CCH}	4	V _F =0V	—	—	5.0	mA
Input current logic low output	I _{FHL}	—	I _O =1.6mA, V _O <0.4V	—	—	5	mA
Input voltage logic high output	V _{FLH}	—	I _O =-0.02mA, V _O >4.0V	0.8	—	—	V

*All typical values are at Ta=25°C, V_{CC}=5V, I_F(ON)=12mA unless otherwise specified

Isolation Characteristics (Ta = 25°C)

Characteristic	Symbol	Test Conditions	Min.	Typ.	Max.	Unit
Capacitance input to output	C _S	V = 0, f = 1MHz (Note 2)	—	0.8	—	pF
Isolation resistance	R _S	R.H. ≤ 60%, V _S = 500V (Note 2)	1×10 ¹²	10 ¹⁴	—	Ω
Isolation voltage	BV _S	AC, 1 minute	3750	—	—	V _{rms}
		AC, 1 second, in oil	—	10000	—	V _{dc}
		DC, 1 minute, in oil	—	10000	—	

Note 4: A ceramic capacitor (0.1 μF) should be connected from pin 6 to pin 4 to stabilize the operation of the high gain linear amplifier. Failure to provide the bypass may impair the switching property.
The total lead length between capacitor and coupler should not exceed 1 cm.

Switching Characteristics

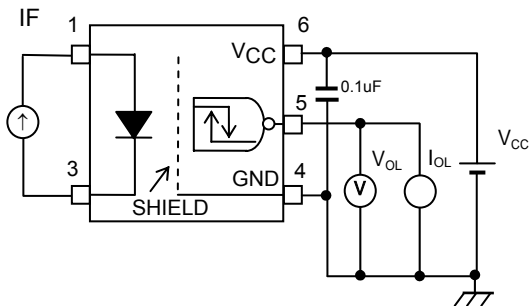
(Unless otherwise specified, $T_a = -40$ to 100°C , $V_{CC} = 4.5 \sim 5.5\text{V}$)

Characteristic	Symbol	Test Circuit	Conditions	Min.	Typ.	Max.	Unit
Propagation delay time to logic high output	t_{pHL}	5	$I_F = 0$ 12mA	—	—	60	ns
Propagation delay time to logic low output	t_{pLH}		$I_F = 12$ 0mA				
Propagation delay time to logic high output	t_{pHL}	6	$V_{IN} = 0$ 5V ($I_F = 0$ 8mA)	—	—	60	ns
Propagation delay time to logic low output	t_{pLH}		$V_{IN} = 5$ 0V ($I_F = 8$ 0mA)				
Switching time dispersion between ON and OFF	$ t_{pHL} - t_{pLH} $	5	$I_F = 12\text{mA}$, $R_{IN} = 100$, $C_L = 15\text{pF}$ (Note 5)	—	—	30	ns
Output fall time(90-10%)	t_f		$I_F = 0$ 12mA	—	15	—	ns
Output rise time(10-90%)	t_r		$I_F = 12$ 0mA	—	15	—	ns
Common mode transient immunity at high Level output	CM_H	7	$V_{CM} = 1000\text{Vp-p}$, $I_F = 0\text{mA}$, $V_o(\text{Min}) = 4\text{V}$, $T_a = 25^\circ\text{C}$	10000	—	—	V/us
Common mode transient immunity at low level output	CM_L		$V_{CM} = 1000\text{Vp-p}$, $I_F = 12\text{mA}$, $V_o(\text{Max}) = 0.4\text{V}$, $T_a = 25^\circ\text{C}$	-10000	—	—	V/us

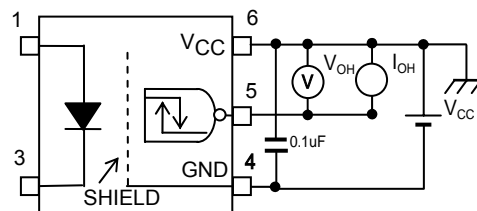
*All typical values are at $T_a = 25^\circ\text{C}$

Note 5 : C_L is approximately 15pF which includes probe and Jig/stray wiring capacitance.

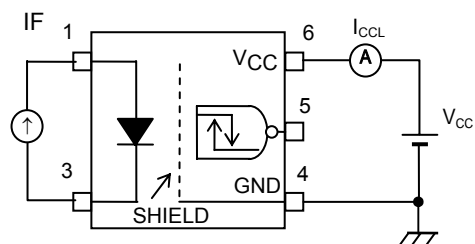
TEST CIRCUIT 1 : V_{OL}



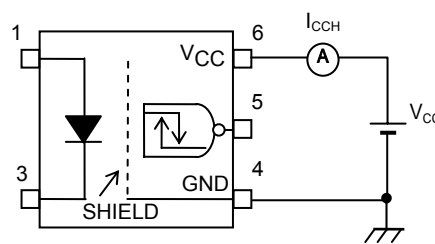
TEST CIRCUIT 2 : V_{OH}



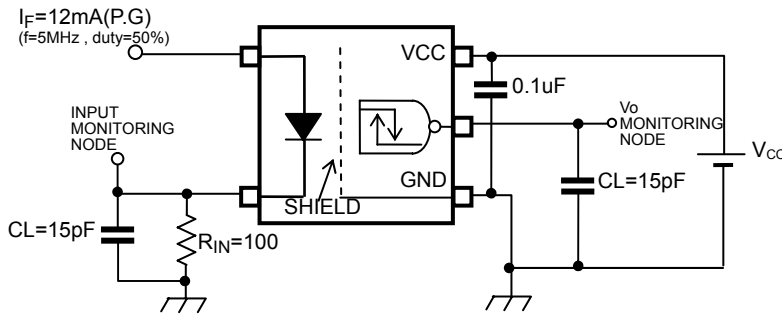
TEST CIRCUIT 3 : I_{CCL}



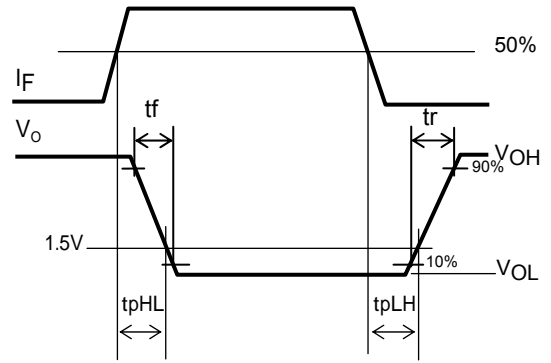
TEST CIRCUIT 4 : I_{CCH}



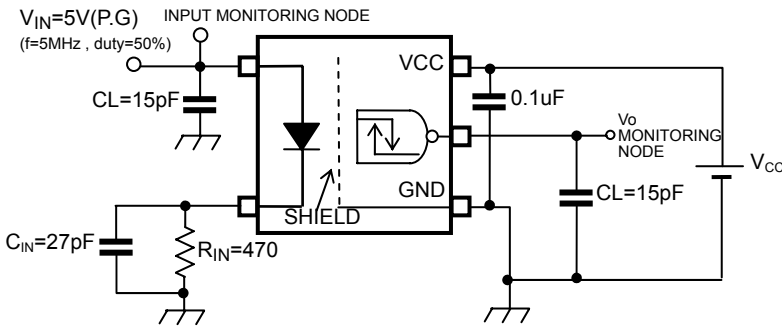
TEST CIRCUIT 5 : tpHL , tpLH



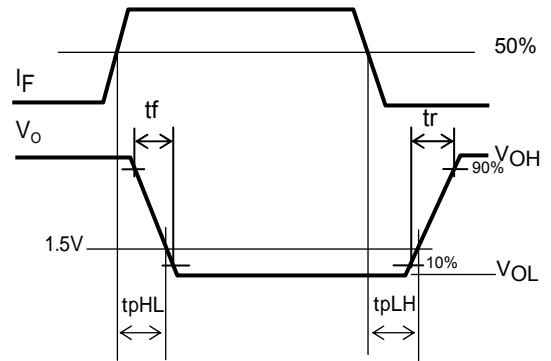
CL is capacitance of the probe and JIG.
(P.G) : Pulse Generator



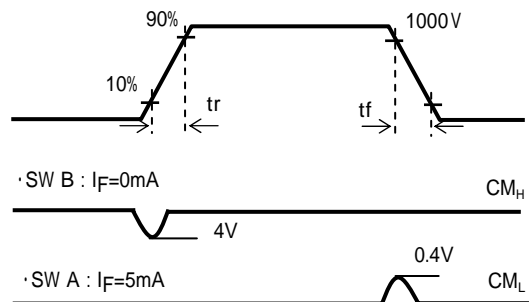
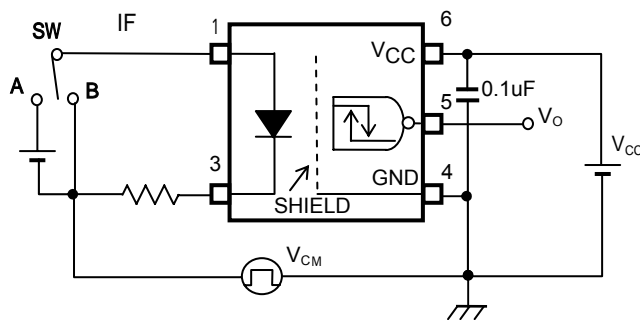
TEST CIRCUIT 6 : tpHL , tpLH



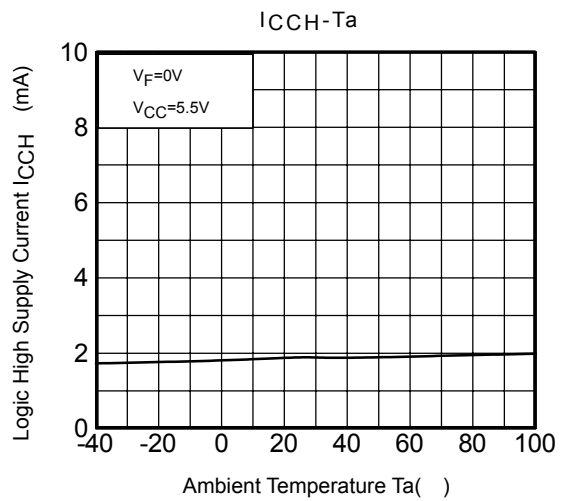
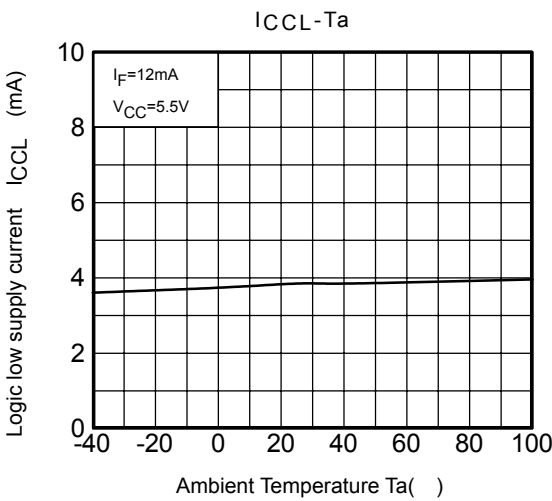
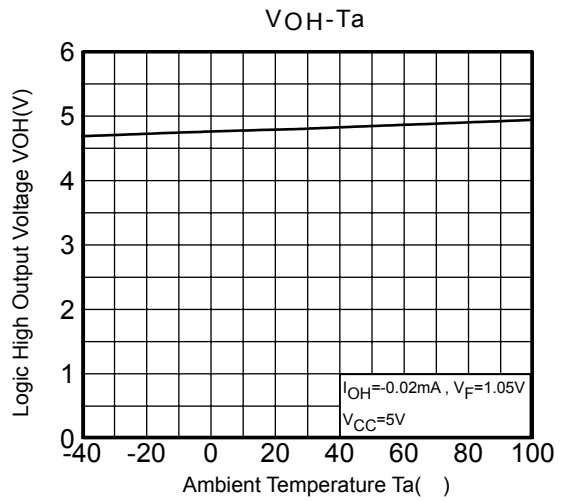
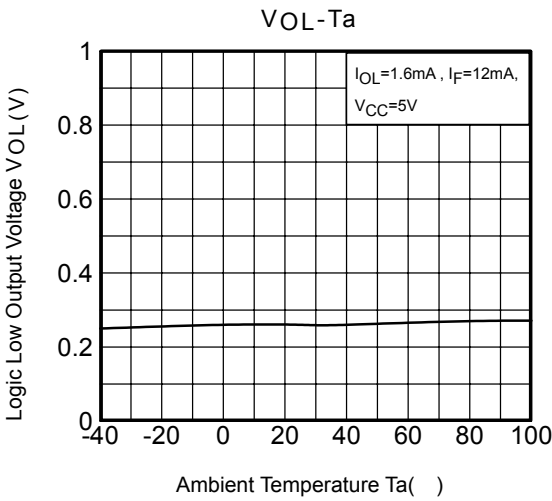
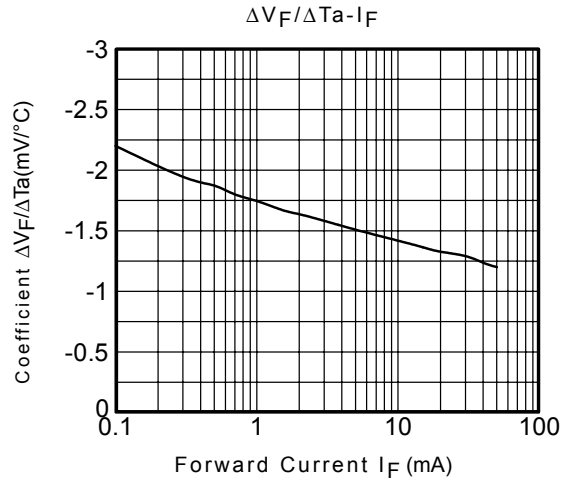
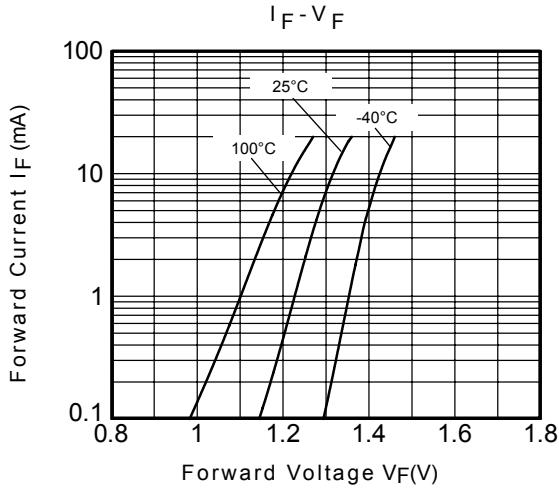
CL is capacitance of the probe and JIG.
(P.G) : Pulse Generator



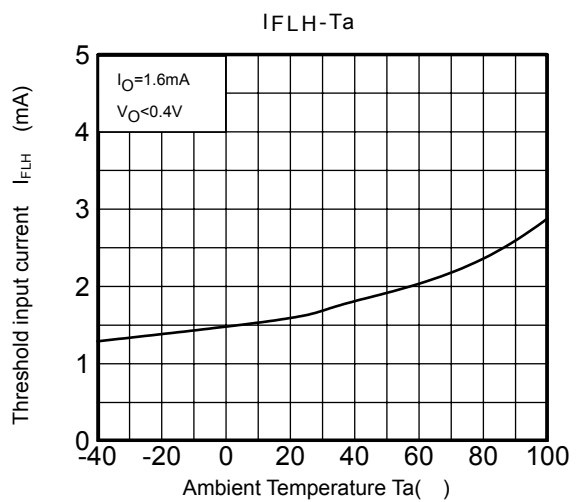
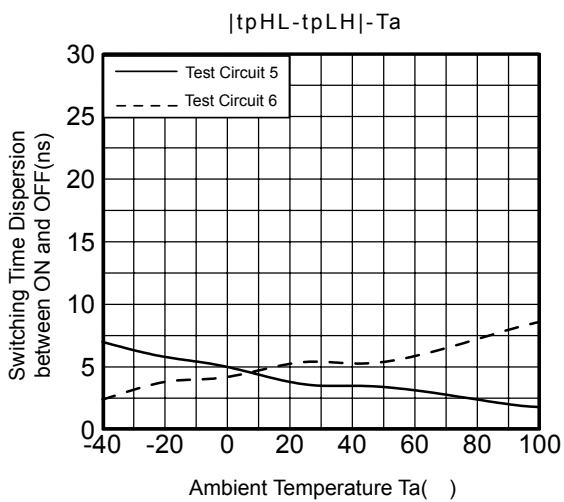
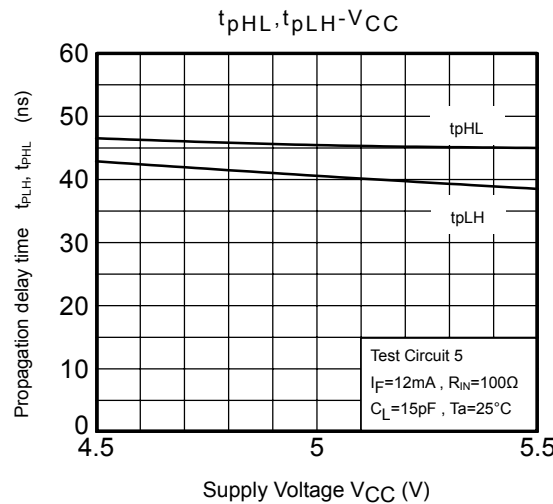
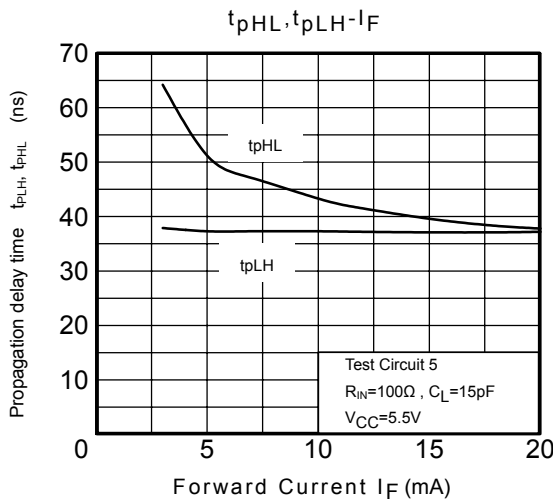
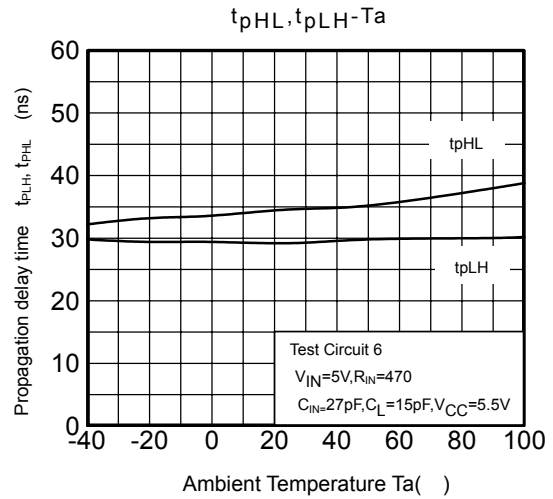
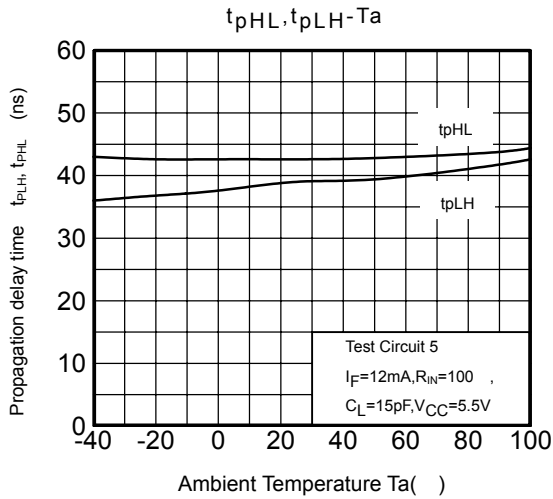
TEST CIRCUIT 7 : Common-Mode Transient Immunity Test Circuit



$$CM_H = \frac{800(V)}{t_r(\mu s)} \quad CM_L = \frac{800(V)}{t_f(\mu s)}$$



*: The above graphs show typical characteristics.



*: The above graphs show typical characteristics.

RESTRICTIONS ON PRODUCT USE

030619EBC

- The information contained herein is subject to change without notice.
- The information contained herein is presented only as a guide for the applications of our products. No responsibility is assumed by TOSHIBA for any infringements of patents or other rights of the third parties which may result from its use. No license is granted by implication or otherwise under any patent or patent rights of TOSHIBA or others.
- TOSHIBA is continually working to improve the quality and reliability of its products. Nevertheless, semiconductor devices in general can malfunction or fail due to their inherent electrical sensitivity and vulnerability to physical stress. It is the responsibility of the buyer, when utilizing TOSHIBA products, to comply with the standards of safety in making a safe design for the entire system, and to avoid situations in which a malfunction or failure of such TOSHIBA products could cause loss of human life, bodily injury or damage to property.
In developing your designs, please ensure that TOSHIBA products are used within specified operating ranges as set forth in the most recent TOSHIBA products specifications. Also, please keep in mind the precautions and conditions set forth in the "Handling Guide for Semiconductor Devices," or "TOSHIBA Semiconductor Reliability Handbook" etc..
- The TOSHIBA products listed in this document are intended for usage in general electronics applications (computer, personal equipment, office equipment, measuring equipment, industrial robotics, domestic appliances, etc.). These TOSHIBA products are neither intended nor warranted for usage in equipment that requires extraordinarily high quality and/or reliability or a malfunction or failure of which may cause loss of human life or bodily injury ("Unintended Usage"). Unintended Usage include atomic energy control instruments, airplane or spaceship instruments, transportation instruments, traffic signal instruments, combustion control instruments, medical instruments, all types of safety devices, etc.. Unintended Usage of TOSHIBA products listed in this document shall be made at the customer's own risk.
- The products described in this document are subject to the foreign exchange and foreign trade laws.
- TOSHIBA products should not be embedded to the downstream products which are prohibited to be produced and sold, under any law and regulations.
- GaAs(Gallium Arsenide) is used in this product. The dust or vapor is harmful to the human body. Do not break, cut, crush or dissolve chemically.

X-ON Electronics

Largest Supplier of Electrical and Electronic Components

Click to view similar products for [Transistor Output Optocouplers](#) category:

Click to view products by [Toshiba](#) manufacturer:

Other Similar products are found below :

[LTV-814S-TA](#) [LTV-815S-TA](#) [LTV-8241S](#) [LTV-824HS](#) [LTV-852S](#) [635549D](#) [66095-001](#) [6N136-X017T](#) [6N136-X019T](#) [717126G](#) [MCT6-X007](#) [MCT6-X007T](#) [MOC8101-X009](#) [MOC8101-X017T](#) [PS2561-1-A](#) [PS2561A-1-W-A](#) [PS2561AL1-1-V-W-A](#) [PS2561B-1-L-A](#) [PS2561DL-1Y-V-A](#) [PS2561L1-1-A](#) [PS2561L-1-V-A](#) [PS2581AL2-A](#) [PS2705-1-L-A](#) [PS2706-1-A](#) [PS2802-1-F3-K-A](#) [PS2815-1-A](#) [MRF658](#) [IL755-1X007](#) [IL755-2](#) [ILD2-X006](#) [ILD74-X001](#) [ILQ615-2X017](#) [ILQ615-3X016](#) [LDA102S](#) [LDA110S](#) [LDA202](#) [SFH601-4X007T](#) [SFH615A-2X009T](#) [SFH615A-4X001](#) [SFH615AGR-X007T](#) [SFH618A-3X006](#) [SFH620A-2X007](#) [SFH690BT3](#) [PS2501AL-1-F3-W-A](#) [PS2561-1-V-W-A](#) [PS2561A-1-V-A](#) [PS2561AL1-1-V-A](#) [PS2561AL-1-H-A](#) [PS2561AL-1-V-A](#) [PS2561BL-1-F3-Q-A](#)