

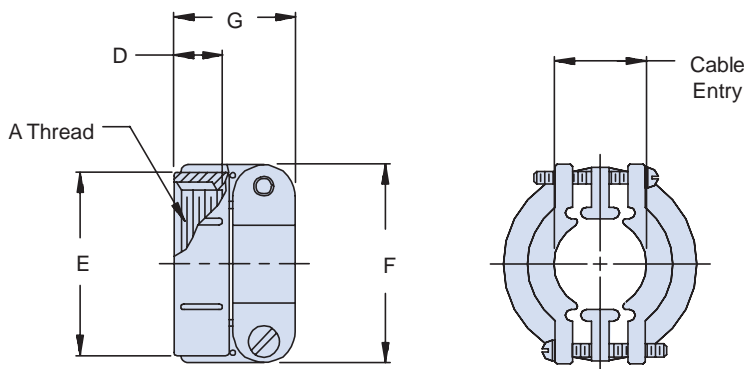


## AS85049/41 and MS3057A Straight Non-Self-Locking Strain Relief for Use with MS "V" Thread General Duty "A" End Bell

Basic  
Part Number

Dash No.

**M85049/41 - 3A**



Superseded  
Part Number

**MS3057-16A**

Basic  
Part No.

Dash  
No.

TABLE I: Shell Size, Cable Entry and Backshell Dimensions

Dash No.	Conn. Shell Ref.(s)	A Thread Class 2B	Cable Entry Max		D Ref.		Ø E		F		G	
							±.031	(0.8)	±.031	(0.8)	±.031	(0.8)
3A	8S, 10S	1/2 - 28 UNEF	.250	(6.4)	.406	(10.3)	.688	(17.5)	.812	(20.6)	.812	(20.6)
4A	10SL, 12S, 12	5/8 - 24 UNEF	.312	(7.9)	.406	(10.3)	.812	(20.6)	.875	(22.2)	.812	(20.6)
6A	14S, 14	3/4 - 20 UNEF	.438	(11.1)	.406	(10.3)	.969	(24.6)	1.062	(27.0)	.875	(22.2)
8A	16S, 16	7/8 - 20 UNEF	.562	(14.3)	.406	(10.3)	1.094	(27.8)	1.156	(29.4)	.938	(23.8)
10A	18	1 - 20 UNEF	.625	(15.9)	.406	(10.3)	1.188	(30.2)	1.250	(31.8)	.938	(23.8)
12A	20, 22	1 3/16 - 18 UNEF	.750	(19.1)	.406	(10.3)	1.375	(34.9)	1.469	(37.3)	.938	(23.8)
16A	24, 28	1 7/16 - 18 UNEF	.938	(23.8)	.406	(10.3)	1.656	(42.1)	1.688	(42.9)	1.031	(26.2)
20A	32	1 3/4 - 18 UNS	1.250	(31.8)	.469	(11.9)	2.031	(51.6)	2.031	(51.6)	1.094	(27.8)
24A	36	2 - 18 UNS	1.375	(34.9)	.531	(13.5)	2.219	(56.4)	2.281	(57.9)	1.156	(29.4)
28A	40	2 1/4 - 16 UN	1.625	(41.3)	.531	(13.5)	2.500	(63.5)	2.688	(68.3)	1.688	(42.9)
32A	44	2 1/2 - 16 UN	1.875	(47.6)	.594	(15.1)	2.781	(70.6)	2.938	(74.6)	1.750	(44.5)
40A	48	3 - 16 UN	2.375	(60.3)	.656	(16.7)	3.281	(83.3)	3.500	(88.9)	1.750	(44.5)

### APPLICATION NOTES

1. Finish on M85049/41 is Cadmium Olive Drab over Electroless Nickel, 1,000 hour salt spray.
2. Assembly to be identified with manufacturer's name and part number, space permitting.
3. Cable Entry is defined as the accommodation entry for the wire bundle or cable. Dimensions are not intended for inspection criteria.
4. For complete dimensions, see the applicable Military Specification.
5. Metric dimensions (mm) are in parentheses.

Dimensions in inches (millimeters) and are subject to change without notice.

## X-ON Electronics

Largest Supplier of Electrical and Electronic Components

*Click to view similar products for [Glenair](#) manufacturer:*

Other Similar products are found below :

[DC40-10L](#) [MWDM2R-9P-4K5-18H-464A](#) [MWDM2R-25P-6K5-58M-464A](#) [287-141S4H62Z2NA](#) [247-757-3](#) [805-001-16NF11-4SA](#)  
[GMSM2-6SCBRSU1](#) [557-107M3-05CB](#) [370BS002B1608D6A](#) [450DS001N10-325](#) [MR75909P1BSU](#) [M85049/11-51W](#) [103-026-012](#)  
[MS3181-18CA TOP](#) [891-001-25PS-0A7-18J](#) [5M2920-3CW](#) [6000-063-0022](#) [620MS065M12](#) [M28840/17AC1G3](#) [M28840/29CB1DAP1](#)  
[M32139/03-B06ST](#) [M39029/88-488](#) [M83513/03-C16N](#) [M83513/04-E03N](#) [M85049130-07M](#) [M85049/1911N02](#) [M85049/1917N05](#)  
[M85049/39-17W](#) [M85049/51-1-16N](#) [M8504956-24N](#) [M85049/74-10-1](#) [M85049/79-13N04](#) [M8504988-17P03](#) [M8504988-21N03](#) [M8504992-](#)  
[11M](#) [D38999/23YE26SN](#) [759EA458NF32Z1732-40-102.9](#) [770-006S302](#) [801-025-ARB2M6-4NA-12](#) [805-002-16M12-5SA](#) [809A060-5](#) [858-](#)  
[003-01F](#) [G8377-21B](#) [G8801-09N](#) [G8801-15N](#) [G8801-25N](#) [947-432ME21-11SN](#) [947-432ME21-35PN](#) [GMR7580-51P3BPN-474A](#)  
[GMR7580-51P3BPN-474C](#)