

## Helping save energy and achieve sustainable designs

### SOLAR



#### Solar Cable

A multiconductor solar cable designed for any solar application. Its tough, abrasion-resistant jacket also resists sunlight, ozone, and UV radiation. It is designed specifically for solar inverters and similar applications.

#### PV/PVT Wire

Our photovoltaic wire gives you flexible choices to meet UL 4703 PV wire and UL 4703 PV wire/TÜV 2 PFG 1169 wire requirements.

#### Xtra-Guard® 4 Cable

Xtra-Guard 4 features a wide temperature range of -50C to +125C. The cable provides outstanding ultraviolet light stability in all jacket colors, along with resistance to oils, solvents, and chemicals.

### TRANSPORTATION



#### Low Smoke Zero Halogen Cable

Our LSZH cables are suited to such applications as rapid transit, industrial, commercial, and similar confined-space applications where the low-smoke cables can save lives and potentially reduce damage to electronic components.

### WIND POWER



#### Xtra-Guard 4 Cable

A performance cable designed to withstand the temperature extremes of the wind turbine environment. It provides good resistance to oils, solvents, and chemicals, and is approved for wind turbine tray (WTTTC) applications.

#### Series XM Cable

A flexible WTTTC-rated control cable that combines a premium-grade PVC jacket and finely stranded conductors to offer continuous-duty flexing without cracking or degrading.

#### Flexible Motor Supply Cable

With a diameter smaller than most comparable motor supply cables, this WTTTC cable is well-suited for the tight spaces in wind turbines for connecting AC drives, servo drives, and variable-frequency drives.

#### Xtra-Guard Torsion Flex Cable

With superior performance in high-flex and high-torsion applications, such as motion control and robotics, these cables are rated for up to 14 million flex cycles.

#### Instrumentation Cable

Available in a wide range of configurations for monitoring and telemetry needs. These cables provide excellent UV resistance and are designed for environments that demand accurate measurement and reliability.

Our commitment to environmentally responsible designs includes products that recycle more easily and safely, help renewable wind and energy deliver power reliably, and make machinery operate more efficiently.

### INDUSTRIAL



#### Series V Energy-Efficient Variable Frequency Drive Cable

The VFD cable enables sophisticated control of motors by allowing their speed and torque to be precisely adjusted. This enables the machine to only use as much energy as is required, leading to lower energy costs and reduced maintenance and downtime.

#### Series SF Composite Servo Cable

Our servo cables bring a new level of flexibility to the integration and monitoring of servo drives. Composite cables add two additional individually shielded twisted pairs for brake or temperature control, leading to lower costs, greater efficiency, and smaller footprint.

#### EcoWire Plus

A 100% recyclable alternative to XLPE-insulated wire, with all the benefits of standard EcoWire with added resistance to the hazardous oils and chemicals common in industrial environments.

### MEDICAL



#### Standard EcoWire

The 100% recyclable alternative to PVC-insulated wire, EcoWire offers 45% smaller diameter, 40% lighter weight, superior abrasion resistance, and 10x the toughness.

## The cables you trust. The service you deserve.

Every application is critical and cable and wire failure is not an option when the safety of your equipment and personnel is paramount. Specify Alpha products since the integrity of your system is only as robust as the products you use.

### Superior availability

Alpha offers wire and cable from stock in most sizes and constructions, in both small and large put-ups, so you can order it when you need it. Our products are available for same-day shipment, eliminating long lead times.

## Service and support, second-to-none

Selecting the correct wire or cable for your critical application is essential to overall system reliability, performance, and safety. So we make it easy for you select the right Alpha product for your specific application. Our online resources include a wire and cable selection guide, technical information, full product catalog, and a distributor locator to make it easy to select and get the wire or cable you need. Can't find what you're looking for? Design the cable to your specification. It's easy, just visit [www.alphawire.com](http://www.alphawire.com)!



GLOBAL HEADQUARTERS  
711 Lidgerwood Avenue  
Elizabeth, NJ 07207-0711 USA  
Toll Free: 1-800-52 ALPHA  
Tel: 1-908-925-8000  
Fax: 1-908-925-5411  
E-mail: [info@alphawire.com](mailto:info@alphawire.com)

EUROPE  
Alpha Wire International  
Saxon House  
1 Downside | Sunbury-on-Thames  
Middlesex | United Kingdom | TW16 6RT  
Tel: +44-(0)-800-288-8809  
Fax: +44-(0)-800-288-8810  
E-mail: [europe@alphawire.com](mailto:europe@alphawire.com)

ASIA PACIFIC  
Alpha Wire  
Silver Center | Room 1708  
North Shanxi Road 1388  
Shanghai | China | 200060  
Tel: +86-21-61498201/61498205  
Fax: +86-21-61498001  
E-mail: [apac@alphawire.com](mailto:apac@alphawire.com)

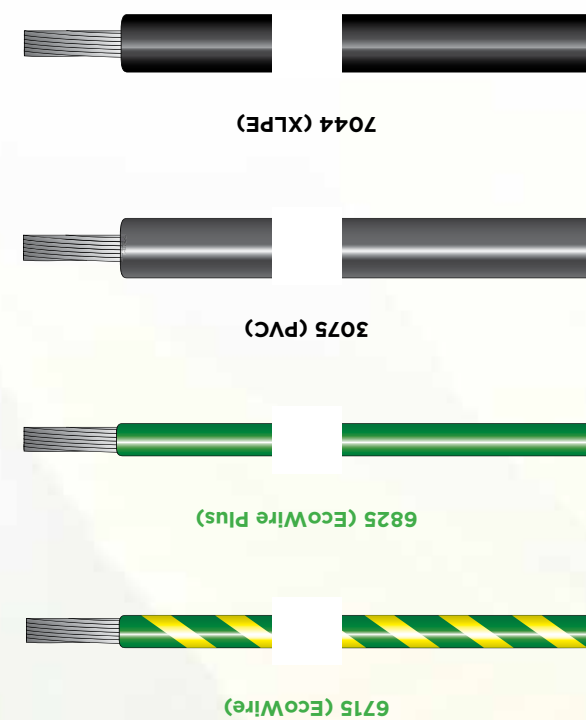


©2011 Alpha Wire. All rights reserved. Specifications subject to change. Consult Alpha Wire for latest specifications.

Lit. No. EcoW-Fly-1108  
Supersedes: EcoW-Fly-1001

## EcoWire™ and EcoWire Plus Hook-Up Wire

Better performance, better for the environment



## Helping save energy and achieve sustainable designs

Our commitment to environmentally responsible designs includes products that recycle more easily and safely, help renewable wind and energy deliver power reliably, and make machinery operate more efficiently.



**Solar Cable**  
A multiconductor solar cable designed for any solar application. Its tough, abrasion-resistant jacket also resists sunlight, ozone, and UV radiation. It is designed specifically for solar inverters and similar applications.

**PV/PVT Wire**  
Our photovoltaic wire gives you flexible choices to meet UL 4703 PV wire and UL 4703 PV wire/TÜV 2 PFG 1169 wire requirements.

**Xtra-Guard® 4 Cable**  
Xtra-Guard 4 features a wide temperature range of -50C to +125C. The cable provides outstanding ultraviolet light stability in all jacket colors, along with resistance to oils, solvents, and chemicals.



**Low Smoke Zero Halogen Cable**  
Our LSZH cables are suited to such applications as rapid transit, industrial, commercial, and similar confined-space applications where the low-smoke cables can save lives and potentially reduce damage to electronic components.



**Xtra-Guard 4 Cable**  
A performance cable designed to withstand the temperature extremes of the wind turbine environment. It provides good resistance to oils, solvents, and chemicals, and is approved for wind turbine tray (WTTTC) applications.

**Series XM Cable**  
A flexible WTTTC-rated control cable that combines a premium-grade PVC jacket and finely stranded conductors to offer continuous-duty flexing without cracking or degrading.

**Flexible Motor Supply Cable**  
With a diameter smaller than most comparable motor supply cables, this WTTTC cable is well-suited for the tight spaces in wind turbines for connecting AC drives, servo drives, and variable-frequency drives.

**Xtra-Guard Torsion Flex Cable**  
With superior performance in high-flex and high-torsion applications, such as motion control and robotics, these cables are rated for up to 14 million flex cycles.

**Instrumentation Cable**  
Available in a wide range of configurations for monitoring and telemetry needs. These cables provide excellent UV resistance and are designed for environments that demand accurate measurement and reliability.



**Series V Energy-Efficient Variable Frequency Drive Cable**  
The VFD cable enables sophisticated control of motors by allowing their speed and torque to be precisely adjusted. This enables the machine to only use as much energy as is required, leading to lower energy costs and reduced maintenance and downtime.

**Series SF Composite Servo Cable**  
Our servo cables bring a new level of flexibility to the integration and monitoring of servo drives. Composite cables add two additional individually shielded twisted pairs for brake or temperature control, leading to lower costs, greater efficiency, and smaller footprint.

**EcoWire Plus**  
A 100% recyclable alternative to XLPE-insulated wire, with all the benefits of standard EcoWire with added resistance to the hazardous oils and chemicals common in industrial environments.



**Standard EcoWire**  
The 100% recyclable alternative to PVC-insulated wire, EcoWire offers 45% smaller diameter, 40% lighter weight, superior abrasion resistance, and 10x the toughness.

### The cables you trust. The service you deserve.

Every application is critical and cable and wire failure is not an option when the safety of your equipment and personnel is paramount. Specify Alpha products since the integrity of your system is only as robust as the products you use.

### Superior availability

Alpha offers wire and cable from stock in most sizes and constructions, in both small and large put-ups, so you can order it when you need it. Our products are available for same-day shipment, eliminating long lead times.

### Service and support, second-to-none

Selecting the correct wire or cable for your critical application is essential to overall system reliability, performance, and safety. So we make it easy for you select the right Alpha product for your specific application. Our online resources include a wire and cable selection guide, technical information, full product catalog, and a distributor locator to make it easy to select and get the wire or cable you need. Can't find what you're looking for? Design the cable to your specification. It's easy, just visit [www.alphawire.com](http://www.alphawire.com)!



**GLOBAL HEADQUARTERS**  
711 Lidgerwood Avenue  
Elizabeth, NJ 07207-0711 USA  
Toll Free: 1-800-52 ALPHA  
Tel: 1-908-925-8000  
Fax: 1-908-925-5411  
E-mail: [info@alphawire.com](mailto:info@alphawire.com)

**EUROPE**  
Alpha Wire International  
Saxon House  
1 Downside | Sunbury-on-Thames  
Middlesex | United Kingdom | TW16 6RT  
Tel: +44-(0)-800-288-8809  
Fax: +44-(0)-800-288-8810  
E-mail: [europe@alphawire.com](mailto:europe@alphawire.com)

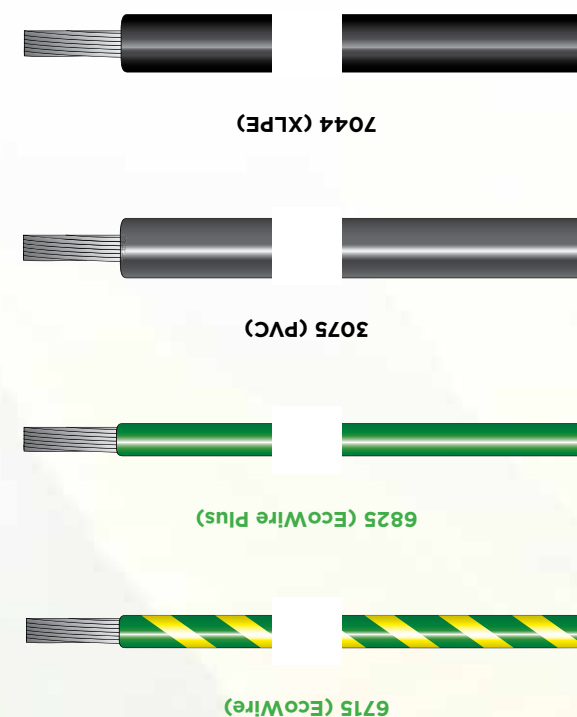
**ASIA PACIFIC**  
Alpha Wire  
Silver Center | Room 1708  
North Shanxi Road 1388  
Shanghai | China | 200060  
Tel: +86-21-61498201/61498205  
Fax: +86-21-61498001  
E-mail: [apac@alphawire.com](mailto:apac@alphawire.com)



## EcoWire™ and EcoWire Plus Hook-Up Wire



*Better performance, better for the environment*



**100% performance,  
100% recyclable**

**E**coWire is the latest innovation in hook-up wire. A true engineering breakthrough, EcoWire combines increased performance with a minimized environmental impact. EcoWire derives its advantage from modified polyphenylene ether insulation (mPPE). It is inherently lighter, tougher, and more durable than PVC.

**mPPE Insulation:**  
All the Advantages in Smaller, Lighter Wire

**Environmentally friendly**

EcoWire contains no halogens, phthalates, or heavy metals. It meets RoHS and WEEE requirements for the elimination of hazardous substances and recyclability.

**Better Performance than PVC**

- Up to 45% smaller diameter
- Up to 40% lighter
- 10x abrasion resistance
- Excellent resistance to hazardous fluids such as oils, chemicals, solvents, and fuels with new EcoWire Plus

**Better dielectric strength**

The superior dielectric properties of mPPE make possible a reduced wall thickness while maintaining the same electrical properties as PVC. EcoWire's diameter is up to 45% smaller than equivalent wires.

**Low specific gravity**

The 1.03 specific gravity of mPPE is 25% to 40% lower than other insulation materials, such as PVC, polyethylene, and cross-linked polyethylene. Along with the reduced wall thickness, the low specific gravity yields significant weight savings of up to 40%.

**Recyclable**

EcoWire's mPPE thermoplastic insulation can be easily recycled since it does not contain hazardous materials.



**NEW!**

**EcoWire Plus with Improved Fluid Resistance**

Designed for industrial applications with exposure to oils and other hazardous fluids, our new EcoWire Plus offers all the environmental benefits and abrasion-resistance characteristics of standard EcoWire—plus the additional fluid resistance for demanding factory apps.

Meeting the fluid resistance of ISO 6722 for thin-wall and ultra-thin wall wire, EcoWire is an ideal thin-wall replacement for XLPE-insulated wire.

With up to 45% smaller diameter to save space and make routing easier, EcoWire Plus withstands oils, fuels, solvents, and other hazardous liquids.

**EcoWire specifications**

**Standard EcoWire**

**Materials**  
Conductors Stranded or solid tinned copper  
Insulation Modified polyphenylene ether

**Electrical**  
Voltage 600 volts

**Physical and Mechanical**  
Temperature Range -40°C to +105°C

**Availability**  
100 ft (30.5 m) and 1000 ft (305 m) lengths

**Approvals**  
CSA AWM I A/B  
UL AWM Style 11028  
RoHS compliant  
REACH compliant  
VW-1 UL 1581

**Colors**  
White, Black, Red, Green, Yellow, Blue, Brown, Orange, Slate, Violet, Yellow/Green



Part No.	Conductor Size		Stranding		Insulation Thickness		Wire Diameter	
	AWG	mm <sup>2</sup>	AWG	mm	Inch	mm	Inch	mm
6710	28	0.07	7/36	7 x 0.12	0.010	0.24	0.034	0.86
6711	26	0.14	7/34	7 x 0.16	0.010	0.24	0.038	0.97
6712	24	0.22	7/32	7 x 0.20	0.010	0.24	0.043	1.09
6713	22	0.35	7/30	7 x 0.25	0.010	0.24	0.049	1.24
6714	20	0.51	10/30	10 x 0.25	0.010	0.24	0.055	1.40
6715	18	0.81	16/30	16 x 0.25	0.010	0.24	0.067	1.70
6715S	18	0.82	Solid	Solid	0.010	0.24	0.059	1.50
6716	16	1.32	26/30	26 x 0.25	0.011	0.28	0.081	2.06
6717	14	2.09	41/30	41 x 0.25	0.011	0.28	0.096	2.44
6717S	14	2.08	Solid	Solid	0.011	0.28	0.086	2.18
6718	12	3.31	65/30	65 x 0.25	0.012	0.30	0.117	2.97
6719	10	5.37	105/30	105 x 0.25	0.012	0.30	0.142	3.61

**EcoWire Plus**

**Materials**  
Conductors Stranded bare copper  
Insulation Modified polyphenylene ether

**Electrical**  
Voltage 300 V  
ISO 6722 Voltage 60 V

**Physical and Mechanical**  
Temperature Range -40°C to +110°C

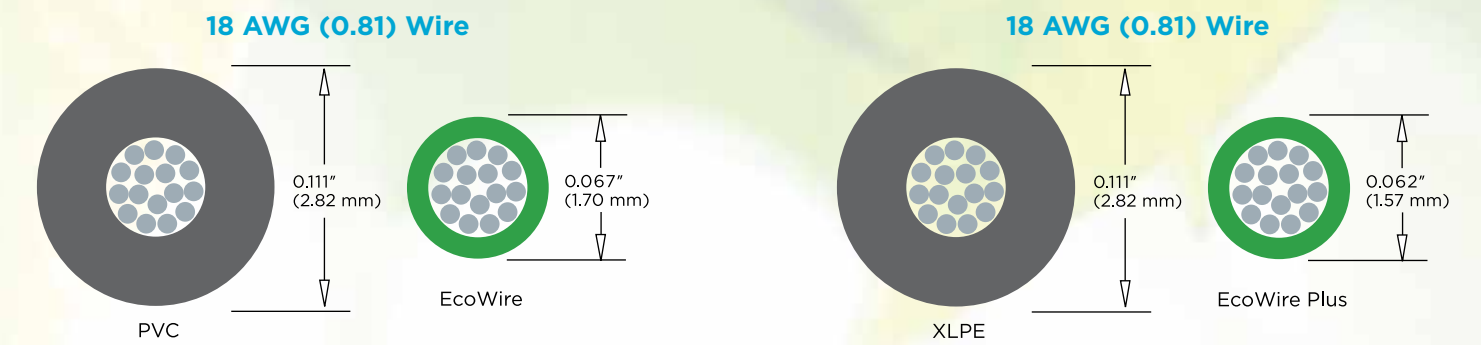
**Availability**  
100 ft (30.5 m) and 1000 ft (305 m) lengths

**Approvals**  
ISO 6722 Ultra Thin Wall  
ISO 6722 Thin Wall  
RoHS compliant  
REACH compliant

**Colors**  
White, Black, Red, Green, Yellow, Blue, Brown, Orange, Green/Yellow

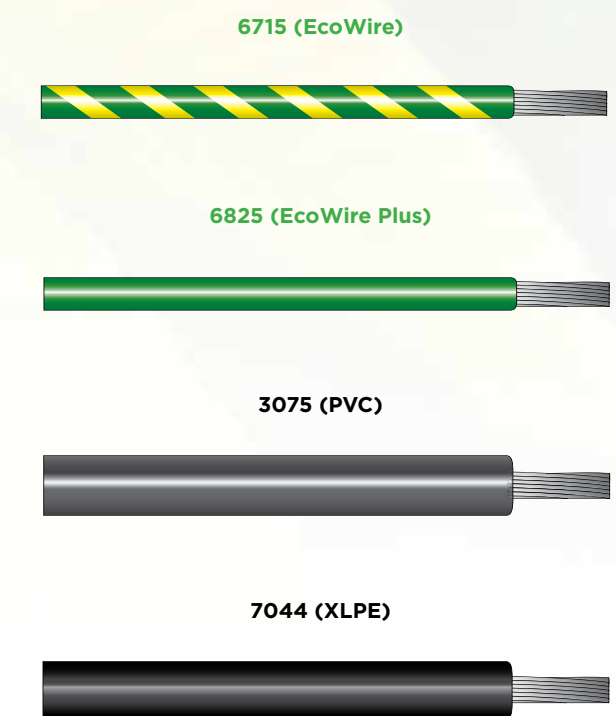
Part No.	Conductor Size			Stranding		Insulation Thickness		Wire Diameter	
	AWG	mm <sup>2</sup>	ISO mm Equiv.	AWG	mm	Inch	mm	Inch	mm
6820	28	0.09	-	7/36	7 x 0.12	0.008	0.20	0.031	0.79
6821	26	0.14	0.13	7/34	7 x 0.16	0.008	0.20	0.035	0.89
6822	24	0.23	0.22	7/32	7 x 0.20	0.008	0.20	0.040	1.02
6823	22	0.35	0.35	7/30	7 x 0.25	0.008	0.20	0.046	1.17
6824	20	0.56	0.5	7/28	7 x 0.32	0.008	0.20	0.054	1.37
6825	18	0.81	0.75	19/0.0092	19 x 0.23	0.008	0.20	0.062	1.57
6826	17	0.96	1	19/30	19 x 0.25	0.008	0.20	0.066	1.68
6827	16	1.23	-	19/29	19 x 0.29	0.010	0.24	0.077	1.96
6828	15	1.53	1.5	19/28	19 x 0.32	0.010	0.24	0.083	2.11
6829	14	1.94	2	19/27	19 x 0.36	0.012	0.30	0.095	2.41
6830	12	3.08	3	19/25	19 x 0.46	0.015	0.38	0.120	3.05
6831	10	4.92	5	19/23	19 x 0.57	0.017	0.43	0.147	3.73

**Product comparison**



Wire Type	Voltage (V)	Temperature Range	Approvals	Wall Thickness	Halogen?
Standard EcoWire	600	-40°C to +105°C	CSA AWM I A/B UL AWM Style 11028 RoHS Compliant REACH Compliant UL VW-1	0.010" to 0.012" (0.24 to 0.32 mm)	No
PVC (UL AWM 1015)	600	-20° to +105°	UL AWM Style 1015 CSA TEW-105 RoHS Compliant	0.031" to 0.32" (0.79 to 0.81 mm)	Yes
EcoWire Plus	300	-40°C to +110°C	ISO 6722 Ultra Thin Wall ISO 6722 Thin Wall Type RoHS Compliant REACH Compliant	0.008" to 0.017" (0.20 to 0.43 mm)	No
XLPE (UL AWM 3271)	600	-55° to +125°	UL AWM Style 3271 CSA CL1251-XLPE MIL-W-16878E Type D RoHS Compliant	0.032" (0.81 mm)	Yes

**Samples for comparison**



**100% performance,  
100% recyclable**

**E**coWire is the latest innovation in hook-up wire. A true engineering breakthrough, EcoWire combines increased performance with a minimized environmental impact. EcoWire derives its advantage from modified polyphenylene ether insulation (mPPE). It is inherently lighter, tougher, and more durable than PVC.

**mPPE Insulation:**  
All the Advantages in Smaller, Lighter Wire

**Environmentally friendly**

EcoWire contains no halogens, phthalates, or heavy metals. It meets RoHS and WEEE requirements for the elimination of hazardous substances and recyclability.

**Better Performance than PVC**

- Up to 45% smaller diameter
- Up to 40% lighter
- 10x abrasion resistance
- Excellent resistance to hazardous fluids such as oils, chemicals, solvents, and fuels with new EcoWire Plus

**Better dielectric strength**

The superior dielectric properties of mPPE make possible a reduced wall thickness while maintaining the same electrical properties as PVC. EcoWire's diameter is up to 45% smaller than equivalent wires.

**Low specific gravity**

The 1.03 specific gravity of mPPE is 25% to 40% lower than other insulation materials, such as PVC, polyethylene, and cross-linked polyethylene. Along with the reduced wall thickness, the low specific gravity yields significant weight savings of up to 40%.

**Recyclable**

EcoWire's mPPE thermoplastic insulation can be easily recycled since it does not contain hazardous materials.



**NEW!**

**EcoWire Plus with Improved Fluid Resistance**

Designed for industrial applications with exposure to oils and other hazardous fluids, our new EcoWire Plus offers all the environmental benefits and abrasion-resistance characteristics of standard EcoWire—plus the additional fluid resistance for demanding factory apps.

Meeting the fluid resistance of ISO 6722 for thin-wall and ultra-thin wall wire, EcoWire is an ideal thin-wall replacement for XLPE-insulated wire.

With up to 45% smaller diameter to save space and make routing easier, EcoWire Plus withstands oils, fuels, solvents, and other hazardous liquids.

**EcoWire specifications**

**Standard EcoWire**

**Materials**  
Conductors Stranded or solid tinned copper  
Insulation Modified polyphenylene ether

**Electrical**  
Voltage 600 volts

**Physical and Mechanical**  
Temperature Range -40°C to +105°C

**Availability**  
100 ft (30.5 m) and 1000 ft (305 m) lengths

**Approvals**  
CSA AWM I A/B  
UL AWM Style 11028  
RoHS compliant  
REACH compliant  
VW-1 UL 1581

**Colors**  
White, Black, Red, Green, Yellow, Blue, Brown, Orange, Slate, Violet, Yellow/Green



Part No.	Conductor Size		Stranding		Insulation Thickness		Wire Diameter	
	AWG	mm <sup>2</sup>	AWG	mm	Inch	mm	Inch	mm
6710	28	0.07	7/36	7 x 0.12	0.010	0.24	0.034	0.86
6711	26	0.14	7/34	7 x 0.16	0.010	0.24	0.038	0.97
6712	24	0.22	7/32	7 x 0.20	0.010	0.24	0.043	1.09
6713	22	0.35	7/30	7 x 0.25	0.010	0.24	0.049	1.24
6714	20	0.51	10/30	10 x 0.25	0.010	0.24	0.055	1.40
6715	18	0.81	16/30	16 x 0.25	0.010	0.24	0.067	1.70
6715S	18	0.82	Solid	Solid	0.010	0.24	0.059	1.50
6716	16	1.32	26/30	26 x 0.25	0.011	0.28	0.081	2.06
6717	14	2.09	41/30	41 x 0.25	0.011	0.28	0.096	2.44
6717S	14	2.08	Solid	Solid	0.011	0.28	0.086	2.18
6718	12	3.31	65/30	65 x 0.25	0.012	0.30	0.117	2.97
6719	10	5.37	105/30	105 x 0.25	0.012	0.30	0.142	3.61

**EcoWire Plus**

**Materials**  
Conductors Stranded bare copper  
Insulation Modified polyphenylene ether

**Electrical**  
Voltage 300 V  
ISO 6722 Voltage 60 V

**Physical and Mechanical**  
Temperature Range -40°C to +110°C

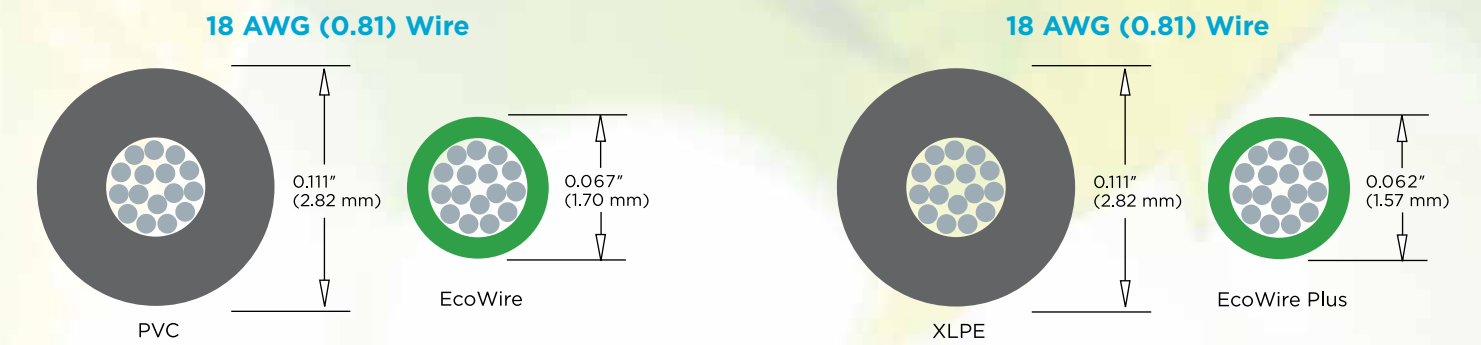
**Availability**  
100 ft (30.5 m) and 1000 ft (305 m) lengths

**Approvals**  
ISO 6722 Ultra Thin Wall  
ISO 6722 Thin Wall  
RoHS compliant  
REACH compliant

**Colors**  
White, Black, Red, Green, Yellow, Blue, Brown, Orange, Green/Yellow

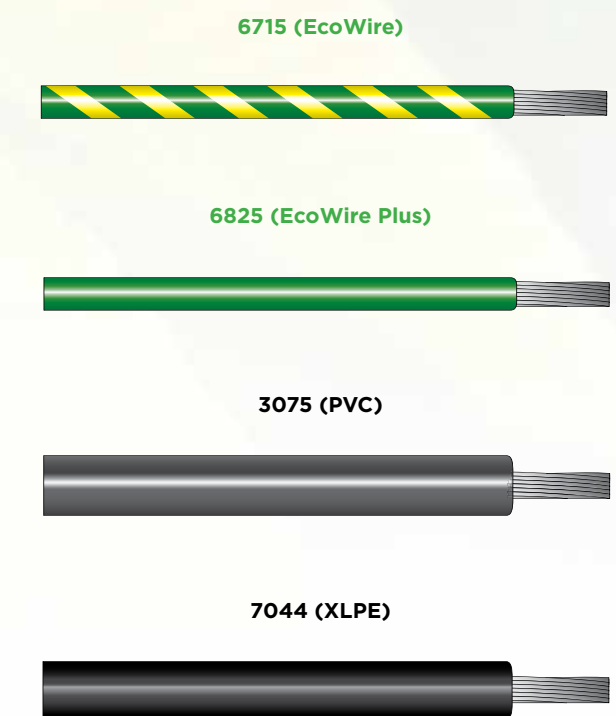
Part No.	Conductor Size			Stranding		Insulation Thickness		Wire Diameter	
	AWG	mm <sup>2</sup>	ISO mm Equiv.	AWG	mm	Inch	mm	Inch	mm
6820	28	0.09	-	7/36	7 x 0.12	0.008	0.20	0.031	0.79
6821	26	0.14	0.13	7/34	7 x 0.16	0.008	0.20	0.035	0.89
6822	24	0.23	0.22	7/32	7 x 0.20	0.008	0.20	0.040	1.02
6823	22	0.35	0.35	7/30	7 x 0.25	0.008	0.20	0.046	1.17
6824	20	0.56	0.5	7/28	7 x 0.32	0.008	0.20	0.054	1.37
6825	18	0.81	0.75	19/0.0092	19 x 0.23	0.008	0.20	0.062	1.57
6826	17	0.96	1	19/30	19 x 0.25	0.008	0.20	0.066	1.68
6827	16	1.23	-	19/29	19 x 0.29	0.010	0.24	0.077	1.96
6828	15	1.53	1.5	19/28	19 x 0.32	0.010	0.24	0.083	2.11
6829	14	1.94	2	19/27	19 x 0.36	0.012	0.30	0.095	2.41
6830	12	3.08	3	19/25	19 x 0.46	0.015	0.38	0.120	3.05
6831	10	4.92	5	19/23	19 x 0.57	0.017	0.43	0.147	3.73

**Product comparison**



Wire Type	Voltage (V)	Temperature Range	Approvals	Wall Thickness	Halogen?
Standard EcoWire	600	-40°C to +105°C	CSA AWM I A/B UL AWM Style 11028 RoHS Compliant REACH Compliant UL VW-1	0.010" to 0.012" (0.24 to 0.32 mm)	No
PVC (UL AWM 1015)	600	-20° to +105°	UL AWM Style 1015 CSA TEW-105 RoHS Compliant	0.031" to 0.32" (0.79 to 0.81 mm)	Yes
EcoWire Plus	300	-40°C to +110°C	ISO 6722 Ultra Thin Wall ISO 6722 Thin Wall Type RoHS Compliant REACH Compliant	0.008" to 0.017" (0.20 to 0.43 mm)	No
XLPE (UL AWM 3271)	600	-55° to +125°	UL AWM Style 3271 CSA CL1251-XLPE MIL-W-16878E Type D RoHS Compliant	0.032" (0.81 mm)	Yes

**Samples for comparison**



**100% performance,  
100% recyclable**

**E**coWire is the latest innovation in hook-up wire. A true engineering breakthrough, EcoWire combines increased performance with a minimized environmental impact. EcoWire derives its advantage from modified polyphenylene ether insulation (mPPE). It is inherently lighter, tougher, and more durable than PVC.

**mPPE Insulation:**  
All the Advantages in Smaller, Lighter Wire

**Environmentally friendly**

EcoWire contains no halogens, phthalates, or heavy metals. It meets RoHS and WEEE requirements for the elimination of hazardous substances and recyclability.

**Better Performance than PVC**

- Up to 45% smaller diameter
- Up to 40% lighter
- 10x abrasion resistance
- Excellent resistance to hazardous fluids such as oils, chemicals, solvents, and fuels with new EcoWire Plus

**Better dielectric strength**

The superior dielectric properties of mPPE make possible a reduced wall thickness while maintaining the same electrical properties as PVC. EcoWire's diameter is up to 45% smaller than equivalent wires.

**Low specific gravity**

The 1.03 specific gravity of mPPE is 25% to 40% lower than other insulation materials, such as PVC, polyethylene, and cross-linked polyethylene. Along with the reduced wall thickness, the low specific gravity yields significant weight savings of up to 40%.

**Recyclable**

EcoWire's mPPE thermoplastic insulation can be easily recycled since it does not contain hazardous materials.



**NEW!**

**EcoWire Plus with Improved Fluid Resistance**

Designed for industrial applications with exposure to oils and other hazardous fluids, our new EcoWire Plus offers all the environmental benefits and abrasion-resistance characteristics of standard EcoWire—plus the additional fluid resistance for demanding factory apps.

Meeting the fluid resistance of ISO 6722 for thin-wall and ultra-thin wall wire, EcoWire is an ideal thin-wall replacement for XLPE-insulated wire.

With up to 45% smaller diameter to save space and make routing easier, EcoWire Plus withstands oils, fuels, solvents, and other hazardous liquids.

**EcoWire specifications**

**Standard EcoWire**

**Materials**  
Conductors Stranded or solid tinned copper  
Insulation Modified polyphenylene ether

**Electrical**  
Voltage 600 volts

**Physical and Mechanical**  
Temperature Range -40°C to +105°C

**Availability**  
100 ft (30.5 m) and 1000 ft (305 m) lengths

**Approvals**  
CSA AWM I A/B  
UL AWM Style 11028  
RoHS compliant  
REACH compliant  
VW-1 UL 1581

**Colors**  
White, Black, Red, Green, Yellow, Blue, Brown, Orange, Slate, Violet, Yellow/Green



Part No.	Conductor Size		Stranding		Insulation Thickness		Wire Diameter	
	AWG	mm <sup>2</sup>	AWG	mm	Inch	mm	Inch	mm
6710	28	0.07	7/36	7 x 0.12	0.010	0.24	0.034	0.86
6711	26	0.14	7/34	7 x 0.16	0.010	0.24	0.038	0.97
6712	24	0.22	7/32	7 x 0.20	0.010	0.24	0.043	1.09
6713	22	0.35	7/30	7 x 0.25	0.010	0.24	0.049	1.24
6714	20	0.51	10/30	10 x 0.25	0.010	0.24	0.055	1.40
6715	18	0.81	16/30	16 x 0.25	0.010	0.24	0.067	1.70
6715S	18	0.82	Solid	Solid	0.010	0.24	0.059	1.50
6716	16	1.32	26/30	26 x 0.25	0.011	0.28	0.081	2.06
6717	14	2.09	41/30	41 x 0.25	0.011	0.28	0.096	2.44
6717S	14	2.08	Solid	Solid	0.011	0.28	0.086	2.18
6718	12	3.31	65/30	65 x 0.25	0.012	0.30	0.117	2.97
6719	10	5.37	105/30	105 x 0.25	0.012	0.30	0.142	3.61

**EcoWire Plus**

**Materials**  
Conductors Stranded bare copper  
Insulation Modified polyphenylene ether

**Electrical**  
Voltage 300 V  
ISO 6722 Voltage 60 V

**Physical and Mechanical**  
Temperature Range -40°C to +110°C

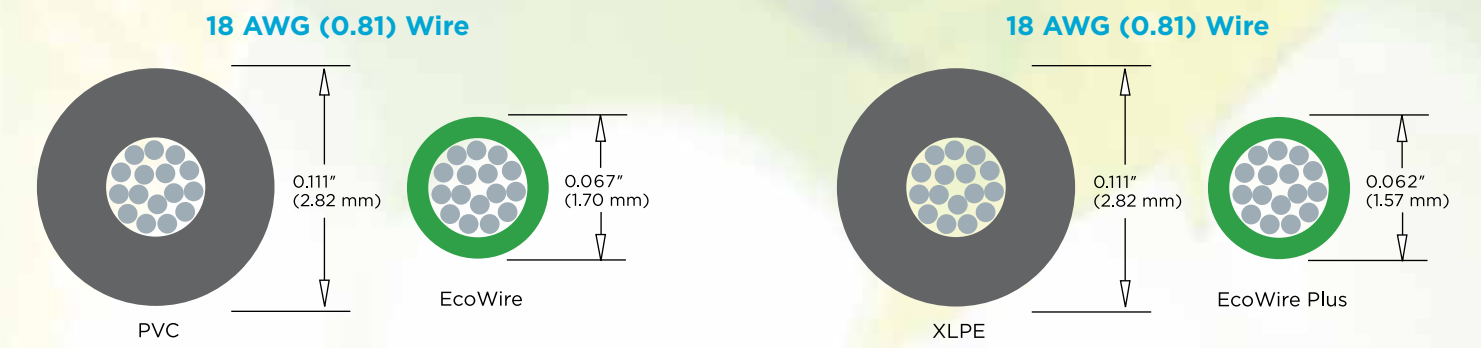
**Availability**  
100 ft (30.5 m) and 1000 ft (305 m) lengths

**Approvals**  
ISO 6722 Ultra Thin Wall  
ISO 6722 Thin Wall  
RoHS compliant  
REACH compliant

**Colors**  
White, Black, Red, Green, Yellow, Blue, Brown, Orange, Green/Yellow

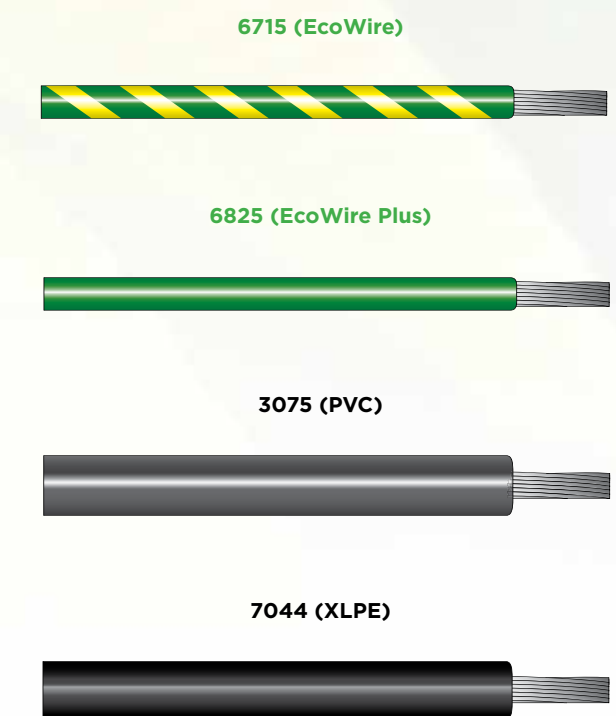
Part No.	Conductor Size			Stranding		Insulation Thickness		Wire Diameter	
	AWG	mm <sup>2</sup>	ISO mm Equiv.	AWG	mm	Inch	mm	Inch	mm
6820	28	0.09	-	7/36	7 x 0.12	0.008	0.20	0.031	0.79
6821	26	0.14	0.13	7/34	7 x 0.16	0.008	0.20	0.035	0.89
6822	24	0.23	0.22	7/32	7 x 0.20	0.008	0.20	0.040	1.02
6823	22	0.35	0.35	7/30	7 x 0.25	0.008	0.20	0.046	1.17
6824	20	0.56	0.5	7/28	7 x 0.32	0.008	0.20	0.054	1.37
6825	18	0.81	0.75	19/0.0092	19 x 0.23	0.008	0.20	0.062	1.57
6826	17	0.96	1	19/30	19 x 0.25	0.008	0.20	0.066	1.68
6827	16	1.23	-	19/29	19 x 0.29	0.010	0.24	0.077	1.96
6828	15	1.53	1.5	19/28	19 x 0.32	0.010	0.24	0.083	2.11
6829	14	1.94	2	19/27	19 x 0.36	0.012	0.30	0.095	2.41
6830	12	3.08	3	19/25	19 x 0.46	0.015	0.38	0.120	3.05
6831	10	4.92	5	19/23	19 x 0.57	0.017	0.43	0.147	3.73

**Product comparison**



Wire Type	Voltage (V)	Temperature Range	Approvals	Wall Thickness	Halogen?
Standard EcoWire	600	-40°C to +105°C	CSA AWM I A/B UL AWM Style 11028 RoHS Compliant REACH Compliant UL VW-1	0.010" to 0.012" (0.24 to 0.32 mm)	No
PVC (UL AWM 1015)	600	-20° to +105°	UL AWM Style 1015 CSA TEW-105 RoHS Compliant	0.031" to 0.32" (0.79 to 0.81 mm)	Yes
EcoWire Plus	300	-40°C to +110°C	ISO 6722 Ultra Thin Wall ISO 6722 Thin Wall Type RoHS Compliant REACH Compliant	0.008" to 0.017" (0.20 to 0.43 mm)	No
XLPE (UL AWM 3271)	600	-55° to +125°	UL AWM Style 3271 CSA CL1251-XLPE MIL-W-16878E Type D RoHS Compliant	0.032" (0.81 mm)	Yes

**Samples for comparison**



## Helping save energy and achieve sustainable designs

Our commitment to environmentally responsible designs includes products that recycle more easily and safely, help renewable wind and energy deliver power reliably, and make machinery operate more efficiently.



**Solar Cable**  
A multiconductor solar cable designed for any solar application. Its tough, abrasion-resistant jacket also resists sunlight, ozone, and UV radiation. It is designed specifically for solar inverters and similar applications.

**PV/PVT Wire**  
Our photovoltaic wire gives you flexible choices to meet UL 4703 PV wire and UL 4703 PV wire/TÜV 2 PFG 1169 wire requirements.

**Xtra-Guard® 4 Cable**  
Xtra-Guard 4 features a wide temperature range of -50C to +125C. The cable provides outstanding ultraviolet light stability in all jacket colors, along with resistance to oils, solvents, and chemicals.



**Low Smoke Zero Halogen Cable**  
Our LSZH cables are suited to such applications as rapid transit, industrial, commercial, and similar confined-space applications where the low-smoke cables can save lives and potentially reduce damage to electronic components.



**Xtra-Guard 4 Cable**  
A performance cable designed to withstand the temperature extremes of the wind turbine environment. It provides good resistance to oils, solvents, and chemicals, and is approved for wind turbine tray (WTTTC) applications.

**Series XM Cable**  
A flexible WTTTC-rated control cable that combines a premium-grade PVC jacket and finely stranded conductors to offer continuous-duty flexing without cracking or degrading.

**Flexible Motor Supply Cable**  
With a diameter smaller than most comparable motor supply cables, this WTTTC cable is well-suited for the tight spaces in wind turbines for connecting AC drives, servo drives, and variable-frequency drives.

**Xtra-Guard Torsion Flex Cable**  
With superior performance in high-flex and high-torsion applications, such as motion control and robotics, these cables are rated for up to 14 million flex cycles.

**Instrumentation Cable**  
Available in a wide range of configurations for monitoring and telemetry needs. These cables provide excellent UV resistance and are designed for environments that demand accurate measurement and reliability.



**Series V Energy-Efficient Variable Frequency Drive Cable**  
The VFD cable enables sophisticated control of motors by allowing their speed and torque to be precisely adjusted. This enables the machine to only use as much energy as is required, leading to lower energy costs and reduced maintenance and downtime.

**Series SF Composite Servo Cable**  
Our servo cables bring a new level of flexibility to the integration and monitoring of servo drives. Composite cables add two additional individually shielded twisted pairs for brake or temperature control, leading to lower costs, greater efficiency, and smaller footprint.

**EcoWire Plus**  
A 100% recyclable alternative to XLPE-insulated wire, with all the benefits of standard EcoWire with added resistance to the hazardous oils and chemicals common in industrial environments.



**Standard EcoWire**  
The 100% recyclable alternative to PVC-insulated wire, EcoWire offers 45% smaller diameter, 40% lighter weight, superior abrasion resistance, and 10x the toughness.

### The cables you trust. The service you deserve.

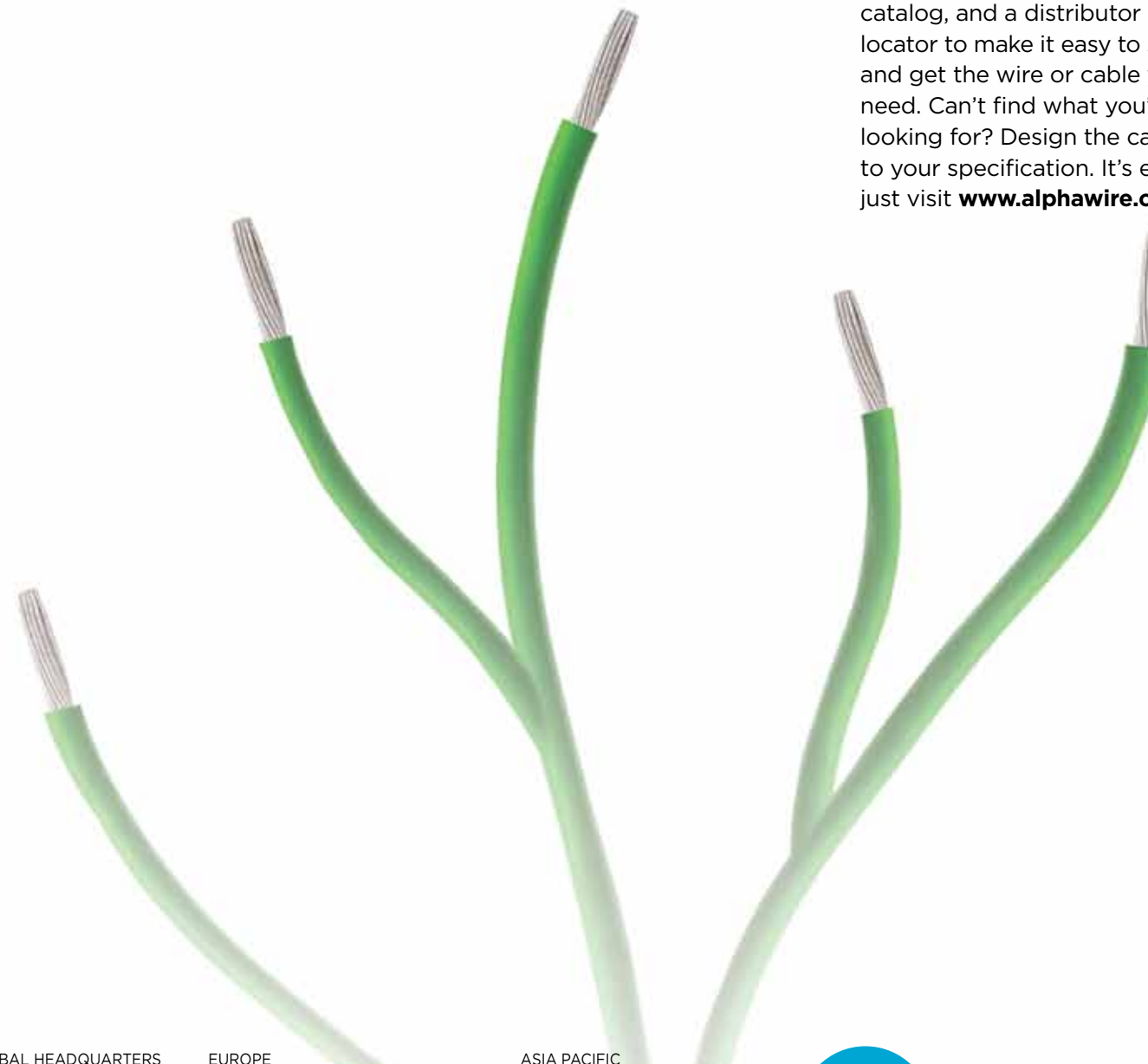
Every application is critical and cable and wire failure is not an option when the safety of your equipment and personnel is paramount. Specify Alpha products since the integrity of your system is only as robust as the products you use.

### Superior availability

Alpha offers wire and cable from stock in most sizes and constructions, in both small and large put-ups, so you can order it when you need it. Our products are available for same-day shipment, eliminating long lead times.

### Service and support, second-to-none

Selecting the correct wire or cable for your critical application is essential to overall system reliability, performance, and safety. So we make it easy for you select the right Alpha product for your specific application. Our online resources include a wire and cable selection guide, technical information, full product catalog, and a distributor locator to make it easy to select and get the wire or cable you need. Can't find what you're looking for? Design the cable to your specification. It's easy, just visit [www.alphawire.com](http://www.alphawire.com)!



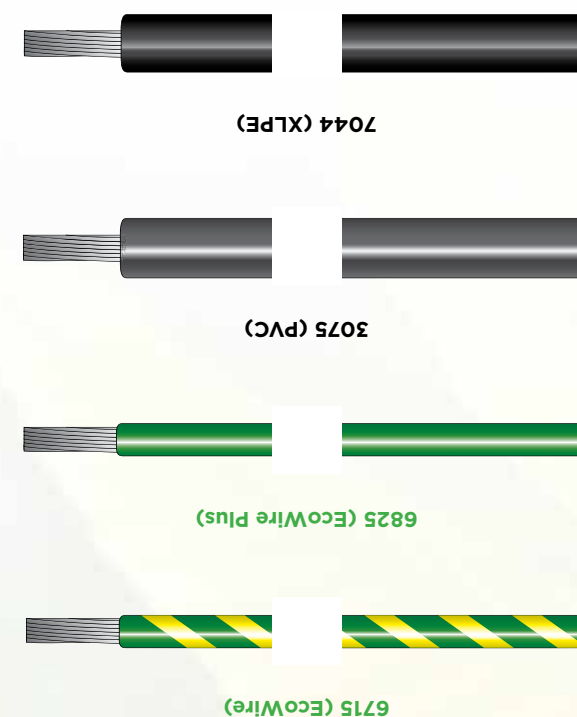
**GLOBAL HEADQUARTERS**  
711 Lidgerwood Avenue  
Elizabeth, NJ 07207-0711 USA  
Toll Free: 1-800-52 ALPHA  
Tel: 1-908-925-8000  
Fax: 1-908-925-5411  
E-mail: [info@alphawire.com](mailto:info@alphawire.com)

**EUROPE**  
Alpha Wire International  
Saxon House  
1 Downside | Sunbury-on-Thames  
Middlesex | United Kingdom | TW16 6RT  
Tel: +44-(0)-800-288-8809  
Fax: +44-(0)-800-288-8810  
E-mail: [europe@alphawire.com](mailto:europe@alphawire.com)

**ASIA PACIFIC**  
Alpha Wire  
Silver Center | Room 1708  
North Shanxi Road 1388  
Shanghai | China | 200060  
Tel: +86-21-61498201/61498205  
Fax: +86-21-61498001  
E-mail: [apac@alphawire.com](mailto:apac@alphawire.com)



## EcoWire™ and EcoWire Plus Hook-Up Wire



## X-ON Electronics

Largest Supplier of Electrical and Electronic Components

*Click to view similar products for [Alpha manufacturer](#):*

Other Similar products are found below :

[2924 GR001](#) [2934 BK001](#) [2932 GR001](#) [2918 WH001](#) [2936 VI005](#) [2936 BR005](#) [2936 BL005](#) [2932 OR005](#) [2936 BK005](#) [2936 YL005](#) [2936 WH005](#) [2918 BK005](#) [2930 RD005](#) [2926 VI005](#) [F221B3/16 BK204](#) [891265-YL001](#) [891441-GR001](#) [5691-SL005](#) [57636-SL001](#) [58144-SL001](#) [5851-OR001](#) [5852 GR005](#) [5852 YL005](#) [5853 SL001](#) [5854 OR001](#) [5856-BL001](#) [5856-BR001](#) [5856-VI001](#) [5857-SL001](#) [5857-YL001](#) [58604-SL001](#) [58642-SL001](#) [5877-SL005](#) [58803-SL001](#) [5906C-SL001](#) [5922-SL005](#) [5937-SL001](#) [5937-SL002](#) [5942-SL005](#) [5943-SL002](#) [5952-OR001](#) [6017C-SL002](#) [6053C-SL002](#) [6054C-SL002](#) [M13176-SL001](#) [M13505-SL002](#) [M1423-WH001](#) [M14477-SL001](#) [M2441-SL001](#) [M2459-SL001](#)