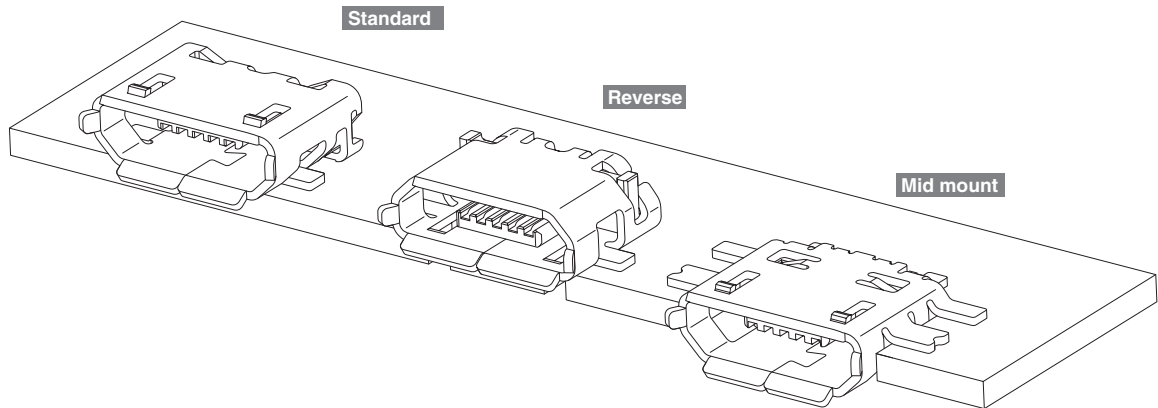


UB CONNECTOR Micro USB

USB (Universal Serial bus) Conforming Connector



This connector is an interface connector for cellular phone and other mobile equipments conforming to Micro USB standard.

- *It is a space saving design of about 50% reduction in mounting area compared with Mini USB. (Standard B type)*
- *10,000 cycles of mating/unmating is guaranteed.*
- **Variations**
- **SMT configuration**

Specifications

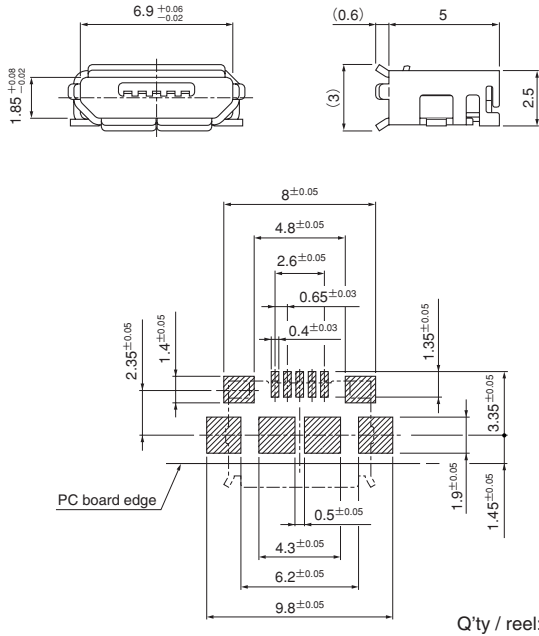
- Current rating: Only signal line
Signal line (No. 2 to 4-circuit): 1.0A AC, DC/Line
: Power supply line
Power supply line (No. 1, 5-circuit): 1.8A AC, DC/Line
Signal line (No. 2 to 4-circuit): 0.5A AC, DC/Line
- Voltage rating: 30V AC, DC
- Temperature range: -30°C to +85°C
(including temperature rise in applying electrical current)
- Contact resistance: Initial value/30mΩ max.
After environmental testing/10mΩ max.
(variation from initial value)
- Insulation resistance: 1,000MΩ min.
- Withstanding voltage: 100V AC/minute
- * Compliant with RoHS.
- * Refer to "General Instruction and Notice when using Terminals and Connectors" at the end of this catalog.
- * Contact JST for details.

UB CONNECTOR Micro USB

Receptacle

Standard B type

TID No.: 60001357

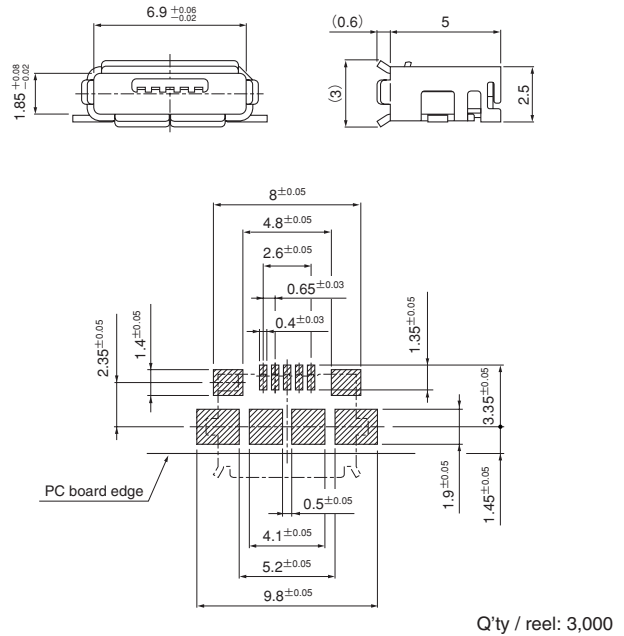


Model No.	Material and Finish
UB-MC5BR3-SD204-4S NMP	Contact: Copper alloy, nickel-undercoated, gold-plated Housing: Thermoplastic resin, UL94V-0, black Shell: Stainless, nickel-undercoated, tin-plated

RoHS compliance

Standard AB type

TID No.: 60001359

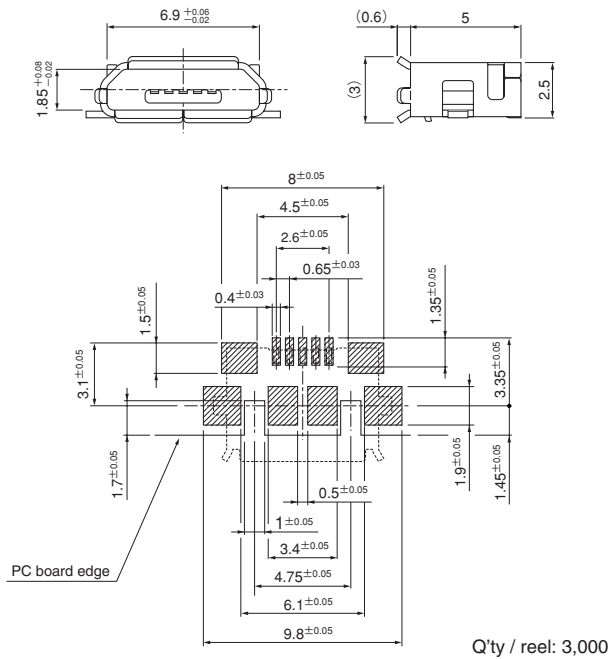


Model No.	Material and Finish
UB-MC5ABR3-SD204-4S NMP	Contact: Copper alloy, nickel-undercoated, gold-plated Housing: Thermoplastic resin, UL94V-0, gray Shell: Stainless, nickel-undercoated, tin-plated

RoHS compliance

Reverse B type

TID No.: 60001356

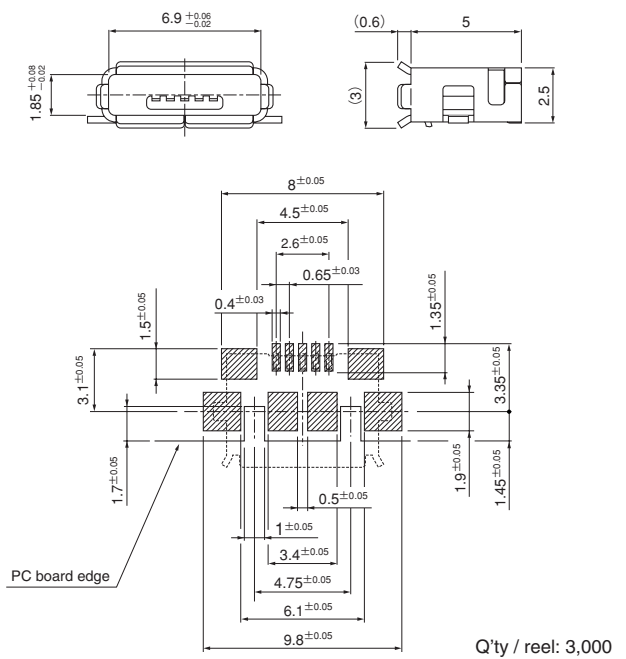


Model No.	Material and Finish
UB-MC5BR3-RS04-4S-1 NMP	Contact: Copper alloy, nickel-undercoated, gold-plated Housing: Thermoplastic resin, UL94V-0, black Shell: Stainless, nickel-undercoated, tin-plated

RoHS compliance

Reverse AB type

TID No.: 60001358



Model No.	Material and Finish
UB-MC5ABR3-RS04-4S-1 NMP	Contact: Copper alloy, nickel-undercoated, gold-plated Housing: Thermoplastic resin, UL94V-0, gray Shell: Stainless, nickel-undercoated, tin-plated

RoHS compliance

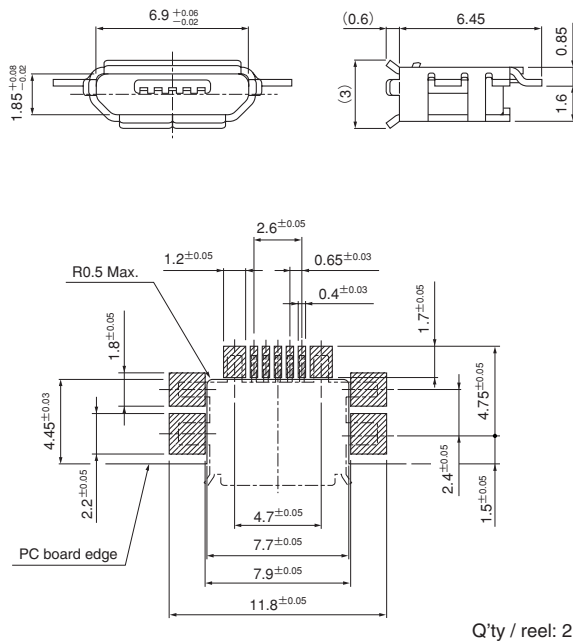
UB CONNECTOR Micro USB

Receptacle

Mid mount B type

Mounting height: 0.85mm

TID No.: 60001355



Q'ty / reel: 2,000

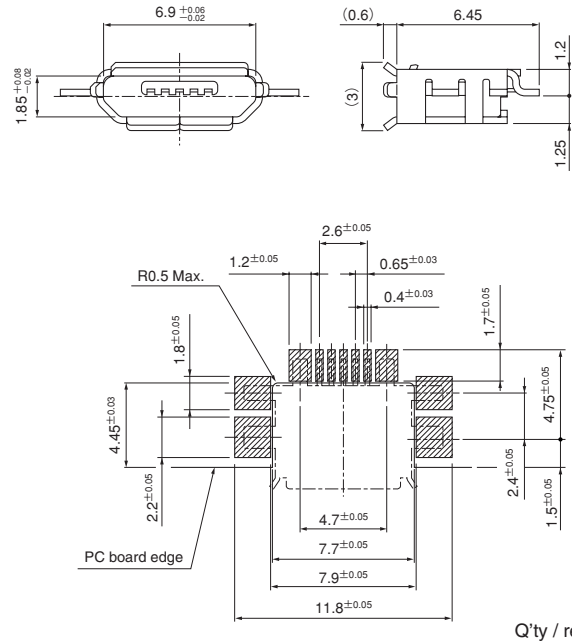
Model No.	Material and Finish
UB-MC5BR3-M04-4S NMP	Contact: Copper alloy, nickel-undercoated, gold-plated Housing: Thermoplastic resin, UL94V-0, black Shell: Stainless, nickel-undercoated, tin-plated

RoHS compliance

Mid mount B type

Mounting height: 1.2mm

TID No.: 62001355



Q'ty / reel: 2,000

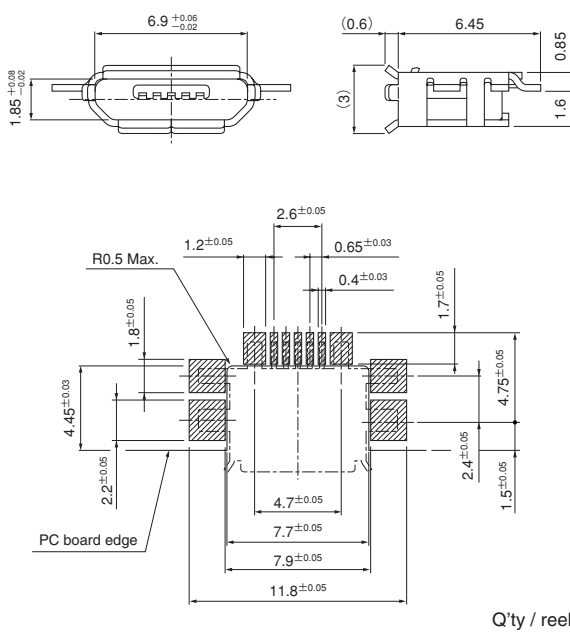
Model No.	Material and Finish
UB-MC5BR3-M404-4S NMP	Contact: Copper alloy, nickel-undercoated, gold-plated Housing: Thermoplastic resin, UL94V-0, black Shell: Stainless, nickel-undercoated, tin-plated

RoHS compliance

Mid mount AB type

Mounting height: 0.85mm

TID No.: 60001365



Q'ty / reel: 2,000

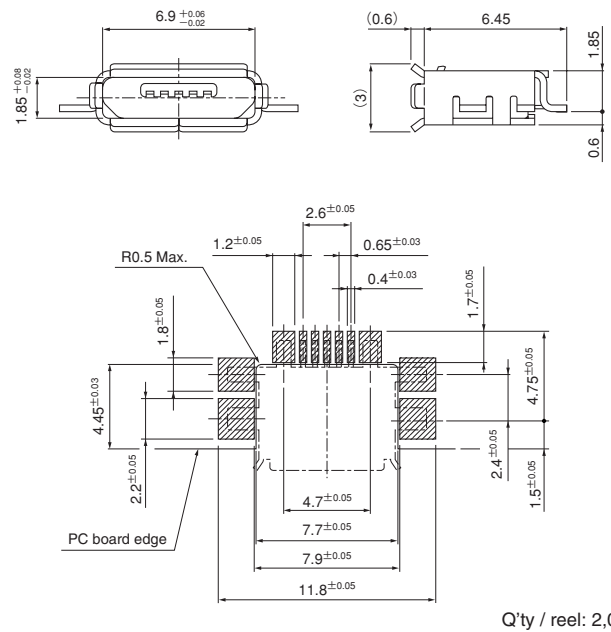
Model No.	Material and Finish
UB-MC5ABR3-M04-4S NMP	Contact: Copper alloy, nickel-undercoated, gold-plated Housing: Thermoplastic resin, UL94V-0, gray Shell: Stainless, nickel-undercoated, tin-plated

RoHS compliance

Mid mount AB type

Mounting height: 1.85mm

TID No.: 63001355



Q'ty / reel: 2,000

Model No.	Material and Finish
UB-MC5ABR3-M204-4S NMP	Contact: Copper alloy, nickel-undercoated, gold-plated Housing: Thermoplastic resin, UL94V-0, gray Shell: Stainless, nickel-undercoated, tin-plated

RoHS compliance

X-ON Electronics

Largest Supplier of Electrical and Electronic Components

Click to view similar products for [USB Cables / IEEE 1394 Cables](#) category:

Click to view products by [JST](#) manufacturer:

Other Similar products are found below :

[68768-0173](#) [FNY-W6003-01](#) [88764-0800](#) [13805532](#) [148700-1](#) [17-200621](#) [17-250051P](#) [954](#) [AC102012-2](#) [FNY-W6003-A5](#) [IP-USB1\(C10\)S-](#)
[RW](#) [USBFTV7SA2G03A](#) [CABLE/RTP/USB/DT](#) [0847290003](#) [10115240-12200LF](#) [RS232-GTD](#) [USBFTVX2SA2N03A](#)
[USBFTV2SA2N03A](#) [USBFTV2SA2N05A](#) [MDM9PH004B](#) [MDM9PH004P](#) [FTP-629Y401](#) [FTP-628Y402](#) [943301-001](#) [FNY-W6022](#) [FNY-](#)
[W6003-03](#) [1310-1015-05](#) [1310-1018-04](#) [1310-1019-04](#) [0887283402](#) [UA-30AMFM-SL7B02](#) [UA-30AMFM-SL7B01](#) [UA-30AFM-LD7B03](#)
[UA-30AMFM-SL7B03](#) [USBAPSCC7202A](#) [UES-1001A160](#) [UES-1003A160](#) [USBFTVX7SA2N20A](#) [USBFTVX2SA2N20A](#) [FTP-629Y602](#)
[USBCAMCM100](#) [USB A/F*2 to 2.54 2*5P-SH L=400mm](#) [1310-1033-01](#) [ASR-USB](#) [68784-0075](#) [17-241361](#) [17-230471](#) [217B-BC02](#) [USB-](#)
[29](#) [19800-010500-200-RS](#)