

Cannon Combo D®

Combination D Subminiature connectors for the advantages of an industry standard shield I/O interconnect, with the flexibility of a customized special, designed for any application.

This connector system is ideal for applications that require optimization of space while improving overall shielding. Combo D® accomplishes this by combining multiple interconnect types into one fully shielded product, decreasing the number I/O interfaces and reducing the possibility of EMI/RFI leakage.

Applications

- Video Coaxial Transmission (75 Ω)
- RF and Telecom Transmission (50 Ω)
- Power interconnects (Up to 40 A)

Product Features

- Standard and European Footprints
- Pre-installed 75 Ω / 50 Ω Coaxial or High Power contacts (One Part Number)
- Vertical Standoffs or 90° Brackets
- 90° or Straight PCB
- PC Boards up to 3,2 (.125) Thick
- PCB Variants Available with Boardlocks and/or Screw Locks (#4-40 or M3)
- Fiber Optics (PhD)
- High Voltage up to 2800 VAC

Specifications

Standard materials & finishes

Temperature Rating	-55°C to 125°C	Coaxial VSWR	Less than 1.40 + .03F for F up to 1GHz
Signal Contact Current Rating	7.5 A current capacity	Coaxial Insertion Loss	.2dB loss at 1 GHz
Signal Contact Resistance	55 millivolt max. at 7.5 test current	High Power current Rating	Up to 40 A
Signal Contact Dielectric Withstanding Voltage	1250 VAC at Sea Level	High Power Dielectric Withstanding Voltage	1000 VAC at Sea Level
Coaxial Current Rating	5 A	High Voltage Current Rating	5 A
Coaxial Dielectric Withstanding Voltage	1000 VAC at Sea Level	High Voltage Contact Dielectric Withstanding Voltage	2800 V at Sea Level
Coaxial Impedance	75 Ω or 50 Ω		

Materials and Finishes

Connector Assembly

Description	Material	Finish/Treatment
Shell	Carbon Steel	Tin-Nickel (Industrial), Chromate/Zinc (Military)*
Insulator	Black Polyester, UL 94V-0	None
Pin Contact	Copper Alloy	Gold over Nickel
Socket Contact	Copper Alloy	Gold over Nickel
Standoff	Steel	Trivalent Chromate over Zinc
Bracket	Steel	Tin
Rivnut	Steel	Tin
Boardlock	Copper Alloy	Tin

Coaxial/High Power/High Voltage Contact Assemblies

Contacts and outer shells	Copper Alloy	Gold over Nickel
Ring, Retaining	Copper Alloy	Nickel
Insulator (Coaxial only)	Teflon	None
Insulator (High Voltage only)	Thermoplastic	none

* Cadmium and Stainless Also Available



Dimensions shown in mm
Specifications and dimensions subject to change

www.ittcannon.com

Materials and Finishes

Connector Assembly (Shells- Gold over Copper) (Modifier NMBK52)

Shell	Brass per QQ-B-613	Gold 50 microinches min., thickness per MIL-G-45204, Type II, Class1 over copper per MIL-C-14550
Insulator	Polycyclohexle Dimethyl, Terephthalate or Polyphenylene, Sulfide co-polymer per MIL-DTL-24308 white or black in color	None
Float Mount, Brackets, Captive Nuts Hardware	Brass	Gold

Coaxial/High Power/High Voltage Contact Assemblies

Outer Coaxial Shell	Copper Alloy	Gold microinches min.thickness per MIL-G-45204, Type II, Class 1 over copper per MIL-C-14550
Center Coaxial Contact	Copper Alloy	Gold microinches min.thickness per MIL-G-45204, Type II, Class 1 over copper per MIL-C-14550
Insulator (Coaxial only)	Teflon	None
Insulator (Coaxial Only)	Teflon	None
Retaining Ring	Copper alloy	Gold
High Power Contact	Copper alloy	Gold microinches min.thickness per MIL-G-45204, Type II, Class 1 over copper per MIL-C-14550

Connector Assembly (Shells- Yellow Chromate over Cadmium) (Modifier "NMB")

Shell	Brass per QQ-B-613	Yellow chromate over cadmium QQ-P-46, Type II, Class 2
Insulator	Polycyclohexle Dimethyl, Terephthalate or Polyphenylene, Sulfide co-polymer per MIL-DTL-24308 white or black in color	None
Contact	Copper Alloy	Gold 50 microinches min. thickness per MIL-G-45204, Type II, Class 1 over copper per MIL-C-14550
Float Mount, Brackets, Captive Nuts Hardware	Brass	Yellow chromate over cadmium QQ-P-416, Type II, Class 2

For Crimp, Solder Cup and PCB Type Combo-D's

Typical Part Number:

DBM C 13C3 S J A197

Product Family Designator

- D*M = Solder Cup Industrial & Space/Non-Magnetic Version
- D*MM = Military/Hi-Rel Solder Cup version (50 micro-inch gold contact plating)
- D*A = Crimp Version

****Hardware Modifier**

- = 0.120" (3,05mm) Through Hole
- C = 90° Metal Bracket, 4-40 Fastener, & Boardlock
- D = 90° Metal Bracket, 4-40 Fastener and 4-40 Screwlock
- E = 4-40 Clinchnut
- G = 90° Metal Bracket, 4-40 Fastener, 4-40 Screwlock, Boardlock
- H = .300" (7.6mm) Standoff, 4-40 Screwlock
- J = 90° Metal Bracket, Fastener, M-3 Fastener, Boardlock
- K = 0.162" (4,11mm) Through Hole
- L = 90° Metal Bracket, M-3 Fastener, Boardlock
- N = .300" (7.6mm) Standoff, 4-40 Screwlock, Boardlock
- O = 90° Metal Bracket, Fastener, M-3 Screwlock
- P = 90° Metal Bracket, 4-40 Fastener
- Q = .300" (7.6mm) M-3 Standoff
- S = 90° Metal Bracket, M-3 Fastener
- T = .300" (7.6mm) M-3 Standoff
- U = .300" (7.6mm) Standoff, M-3 Screwlock, Boardlock
- V = .300" (7.6mm) 4-40 Standoff
- W = .300" (7.6mm) Standoff, M-3 Screwlock
- X = M-3 Clinchnut
- Y = Dual Float Mount
- Z = .300" (7.6mm) 4-40 Standoff, Boardlock
- * = Shell Sizes are E, A, B, C, D
- ** = Hardware Modifier not allowed with Non-Magnetic, Low Outgassing Combo-D

Shell Modifier (Standard)

- = Carbon steel, yellow chromate over zinc
- A197 = Carbon steel, tin-nickel plating (receptacles only) (RoHS)
- K87 = Carbon steel, tin-nickel plating (plugs only) (RoHS)
- F225 = Stainless steel shells
- NMBK52 = Space/Non-Magnetic version, gold plated
- A101 = Carbon Steel, Cadmium plating

PC Tail Modifier (Standard)

- = Solder cup (D*M/D*MM; Crimp, D*A)
- J = 90° Std. PCB signal contact (.170" lg by .030")
- N = Straight Std. PCB signal contact (.178 lg by .030")
- V = 90° Euro PCB signal contact (.157" lg by .024")
- Y = Straight Euro PCB signal contact (.178" lg by .024")

Gender

- P = Male Plug, Pin
- S = Female Receptacle, Socket

Layouts Combo-D

- E- 5W1, 2W2, 2WK2
- A- 3W3, 3WK3, 7W2, 11W1
- B- 5W5, 9W4, 13W3, 17W2, 21W1
- C- 8W8, 13W6, 17W5, 21WA4, 25W3, 27W2
- D- 24W7, 36W4, 43W2, 47W1

Combo-D Size 8 Contact Designators:

- W** = w/o Contacts (letters below denote with contacts)
- C = 75 Ohm Coax Contacts Installed
- X = 50 Ohm Coax Contacts Installed
- H = High Power Installed (US Standard)
- P = High Power Installed (European)
- V = High Voltage Installed (Cable and PCB only)
- R = Mini Hi Power 90° installed

** All cable side connectors use the "W" designation (without contacts) for ordering and have size and contacts ordered separately



Combo D European Versions

Typical Part Number: **DBM E- 9C4 P-P00-1A5N- A191-K87-146**

Product Family Designator

D*M = Combo D
 = shell size E, A, B, C and D

Hardware Modifier

without code = 3.05mm" (.120 in.) Through Hole
 E = 4-40 Clinchnut, solder cup, solder pin straight and 1A0N
 N = 7.66 mm (.300 in.) with 4-40 post and pushfit, only OL4
 Q = 7.66 mm (.300 in.) M3 with pushfit, only OL4
 T = 7.66 mm (.300 in.) M3 standoff, only OL4
 U = 7.66 mm (.300 in.) M3 post and pushfit, only OL4
 V = 7.66 mm (.300 in.) 4-40 with pushfit, only OL4
 X = M-3 Clinchnut, solder cup, solder pin straight and 1A0N
 Y = Dual Float Mount, only solder cup
 Z = .7.66 mm (.300 in.) 4-40 with pushfit, only OL4

Layout (Total # of contacts + # of Size 8 Cavities)

without code = Non Combo (9, 15, 25, 37, 50)
 W = Empty size 8 Cavities
 C = 75 Ohm Coax installed (straight or 90°)
 X = 50 Ohm Coax installed (straight or 90°)
 H = High power installed (straight)
 P = High power installed (Euro, 90° only)
 V = High voltage installed (available in straight PC only)
 G = Guide pin or guide socket installed

Gender

P = Male (plug, pin)
 S = Female (receptacle, socket)

Code only applicable for Pressfit High power #8 contacts

P00 = Pressfit High power PCB dia 2,9 mm
 P01 = Pressfit High power PCB dia 3,1 mm
 P02 = Pressfit High power PCB dia 3,5 mm

PCB Mounting Method

146 = Pushfit for PCB hold diameter 3.0, 90° version only
 162 = Pushfit for PCB hold diameter 3.2, 90° version only

Plating Modification

without code = Tellow chromate over zinc on shells
 A197 = Tin on shells
 K87 = Tin with dimples on shells (pin only)

Contact Finishes

without code = performance class 3 (50 mating cycles)
 A191 = performance class 2 (200 mating cycles) Euro standard
 A190 = performance class 1 (500 mating cycles)

Tail Modifier

[OL2] = No standard, please call factory
 = Solder cup (size 8 contacts not loaded on these versions)
 OL4 = Solder pin straight
 1A0N = without mouting bracket, hole dia. 3.05 mm
 1A5N = plastic bracket with bushing dia. 3.05 mm
 1A6N = plastic bracket with post 4-40
 1A7N = metal bracket and captive nut 4-40
 1A8N = metal bracket with post 4-40
 1A9N = metal bracket and captive nut M3
 1ADN = plastic bracket with grounding bracket and bushing dia. 3.05 mm
 1AFN = metal bracket with bushing dia. 3.05 mm
 1AGN = plastic bracket with grounding bracket and post M3
 1AHN = metal bracket with post M3
 1AJN = plastic bracket with grounding bracket and post 4-40
 1APN = plastic bracket with post M3
 1ATN = plastic bracket and captive nut M3
 1AUN = plastic bracket and captive nut 4-40
 1AVN = plastic bracket with grounding bracket and captive nut M3
 1AWN = plastic bracket with grounding bracket and captive nut 4-40
 1AEN = 90° low profile metal bracket captive nut M3
 1AAN = 90° low profile metal bracket captive nut 4-40
 1ABN = 90° low profile metal bracket post M3
 1ACN = low profile metal bracket post 4-40
 1ALN = low profile metal bracket with buhing dia. 3.05 mm

Coaxial 90° PCB Plug, sizes DE – DC, with metal bracket

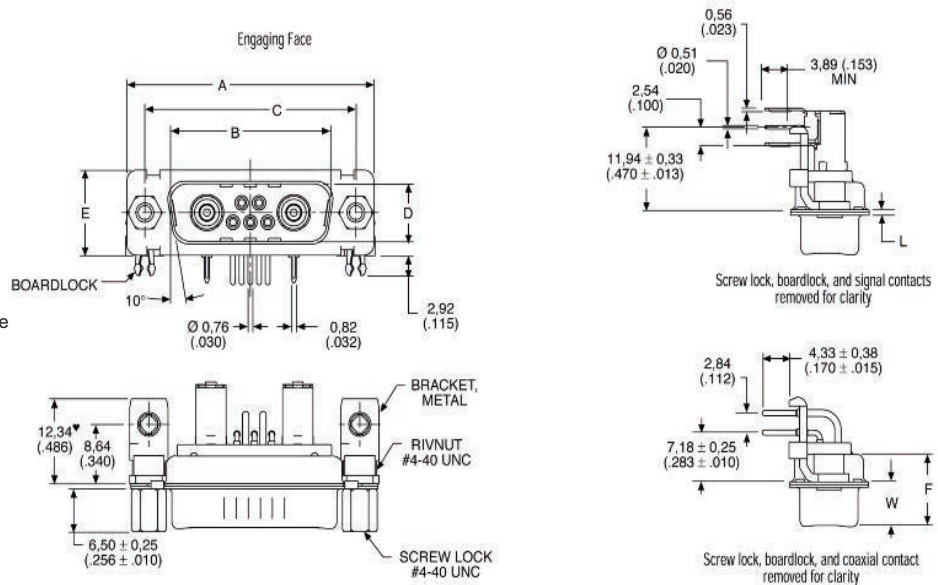
Shell size	Layout	INDUSTRIAL – US 75 Ohm* coax inserted with US footprint metal bracket and UNC 4-40 captive nut		INDUSTRIAL – EU** 75 Ohm* coax inserted with EU footprint metal bracket and UNC 4-40 captive nut		MILITARY/HI-REL – US 50 Ohm* coax inserted with US footprint metal bracket and UNC 4-40 screw lock		NON-MAGNETIC-LOW OUTGASSING--US*** 50 Ohm* coax inserted with US footprint metal bracket and UNC 4-40 screw lock	
		P/N without Boardlock	P/N with Boardlock	P/N without Boardlock	P/N with Boardlock	P/N without Boardlock	P/N with Boardlock	P/N with Cadmium Plating	P/N with Gold Plating
DE	2W2	DEMP2C2P-JK87	DEMC2C2P-JK87	DEMP2C2P-VK87	DEMC2C2P-VK87	DEMMD2X2P-J	DEMMG2X2P-J	DEM2X2P-JNMB	DEM2X2P-JNMBK52
DE	2WK2	DEMP2CK2P-JK87	DEMC2CK2P-JK87	DEMP2CK2P-VK87	DEMC2CK2P-VK87	DEMMD2XK2P-J	DEMMG2XK2P-J	DEM2XK2P-JNMB	DEM2XK2P-JNMBK52
DE	5W1	DEMP5C1P-JK87	DEMC5C1P-JK87	DEMP5C1P-VK87	DEMC5C1P-VK87	DEMMD5X1P-J	DEMMG5X1P-J	DEM5X1P-JNMB	DEM5X1P-JNMBK52
DA	7W2	DAMP7C2P-JK87	DAMC7C2P-JK87	DAMP7C2P-VK87	DAMC7C2P-VK87	DAMMD7X2P-J	DAMMG7X2P-J	DAM7X2P-JNMB	DAM7X2P-JNMBK52
DA	11W1	DAMP11C1P-JK87	DAMC11C1P-JK87	DAMP11C1P-VK87	DAMC11C1P-VK87	DAMMD11X1P-J	DAMMG11X1P-J	DAM11X1P-JNMB	DAM11X1P-JNMBK52
DA	3W3	DAMP3C3P-JK87	DAMC3C3P-JK87	DAMP3C3P-VK87	DAMC3C3P-VK87	DAMMD3X3P-J	DAMMG3X3P-J	DAM3X3P-JNMB	DAM3X3P-JNMBK52
DA	3WK3	DAMP3CK3P-JK87	DAMC3CK3P-JK87	DAMP3CK3P-VK87	DAMC3CK3P-VK87	DAMMD3XK3P-J	DAMMG3XK3P-J	DAM3XK3P-JNMB	DAM3XK3P-JNMBK52
DB	5W5	DBMP5C5P-JK87	DBMC5C5P-JK87	DBMP5C5P-VK87	DBMC5C5P-VK87	DBMMD5X5P-J	DBMMG5X5P-J	DBM5X5P-JNMB	DBM5X5P-JNMBK52
DB	9W4	DBMP9C4P-JK87	DBMC9C4P-JK87	DBMP9C4P-VK87	DBMC9C4P-VK87	DBMMD9X4P-J	DBMMG9X4P-J	DBM9X4P-JNMB	DBM9X4P-JNMBK52
DB	13W3	DBMP13C3P-JK87	DBMC13C3P-JK87	DBMP13C3P-VK87	DBMC13C3P-VK87	DBMMD13X3P-J	DBMMG13X3P-J	DBM13X3P-JNMB	DBM13X3P-JNMBK52
DB	17W2	DBMP17C2P-JK87	DBMC17C2P-JK87	DBMP17C2P-VK87	DBMC17C2P-VK87	DBMMD17X2P-J	DBMMG17X2P-J	DBM17X2P-JNMB	DBM17X2P-JNMBK52
DB	21W1	DBMP21C1P-JK87	DBMC21C1P-JK87	DBMP21C1P-VK87	DBMC21C1P-VK87	DBMMD21X1P-J	DBMMG21X1P-J	DBM21X1P-JNMB	DBM21X1P-JNMBK52
DC	8W8	DCMP8C8P-JK87	DCMC8C8P-JK87	DCMP8C8P-VK87	DCMC8C8P-VK87	DCMMD8X8P-J	DCMMG8X8P-J	DCM8X8P-JNMB	DCM8X8P-JNMBK52
DC	13W6	DCMP13C6P-JK87	DCMC13C6P-JK87	DCMP13C6P-VK87	DCMC13C6P-VK87	DCMMD13X6P-J	DCMMG13X6P-J	DCM13X6P-JNMB	DCM13X6P-JNMBK52
DC	17W5	DCMP17C5P-JK87	DCMC17C5P-JK87	DCMP17C5P-VK87	DCMC17C5P-VK87	DCMMD17X5P-J	DCMMG17X5P-J	DCM17X5P-JNMB	DCM17X5P-JNMBK52
DC	21WA4	DCMP21CA4P-JK87	DCMC21CA4P-JK87	DCMP21CA4P-VK87	DCMC21CA4P-VK87	DCMMD21XA4P-J	DCMMG21XA4P-J	DCM21CX4P-JNMB	DCM21XA4P-JNMBK52
DC	25W3	DCMP25C3P-JK87	DCMC25C3P-JK87	DCMP25C3P-VK87	DCMC25C3P-VK87	DCMMD25X3P-J	DCMMG25X3P-J	DCM25X3P-JNMB	DCM25X3P-JNMBK52
DC	27W2	DCMP27C2P-JK87	DCMC27C2P-JK87	DCMP27C2P-VK87	DCMC27C2P-VK87	DCMMD27X2P-J	DCMMG27X2P-J	DCM27X2P-JNMB	DCM27X2P-JNMBK52

* For 50 ohm coaxial inserts replace C with X, e.g.:DCM13C6P-J becomes DCM13X6P-J. **For M-3 hardware, see part number designator, page 7.

*** Hardware Modifier not allowed with Non Magnetic/ Low Outgassing Combo-D- Contact factory for more information

Plug

- For contact cavity arrangements, see page 61.
- For pcb hole pattern, see pages 67-68.
- For mounting methods, see pages 59-60.



For 50 ohm coaxial version, see readers resource section page 63..

Dimensions

Shell size	A ± 0,38 (.015)	B ± 0,13 (.005)	C ± 0,13 (.005)	D ± 0,13 (.005)	E ± 0,38 (.015)	F ± 0,25 (.010)	W ± 0,368 (.0145)	W ± 0,41 (.016)	L ± 0,25 (.010)
DE	30,81 (1.213)	16,92 (.665)	24,99 (.984)	8,36 (.329)	12,55 (.494)	10,72 (.422)	6,693 (.2635)	—	0,76 (.030)
DA	39,14 (1.541)	25,25 (.994)	33,32 (1.312)	8,36 (.329)	12,55 (.494)	10,72 (.422)	6,693 (.2635)	—	0,76 (.030)
DB	53,04 (2.088)	38,96 (1.534)	47,04 (1.852)	8,36 (.329)	12,55 (.494)	10,82 (.426)	—	6,84 (.269)	0,99 (.039)
DC	69,32 (2.729)	55,42 (2.182)	63,50 (2.500)	8,36 (.329)	12,55 (.494)	10,82 (.426)	—	6,84 (.269)	0,99 (.039)



Dimensions shown in mm
Specifications and dimensions subject to change

www.ittcannon.com

Coaxial 90° PCB Plug, size DD, with metal bracket

Shell size	Layout	INDUSTRIAL – US 75 Ohm* coax inserted with US footprint metal bracket and UNC 4-40 captive nut		INDUSTRIAL – EU** 75 Ohm* coax inserted with EU footprint metal bracket and UNC 4-40 captive nut		MILITARY/HI-REL – US 50 Ohm* coax inserted with US footprint metal bracket and UNC 4-40 screw lock		NON-MAGNETIC/LOW OUTGASSING-EU*** 50 Ohm* coax inserted with US footprint metal bracket and UNC 4-40 screw lock	
		P/N without Boardlock	P/N with Boardlock	P/N without Boardlock	P/N with Boardlock	P/N without Boardlock	P/N with Boardlock	P/N with Cadmium Plating	P/N with Gold Plating
DD	24W7	DDMP24C7P-JK87	DDMC24C7P-JK87	DDMP24C7P-VK87	DDMC24C7P-VK87	DDMMD24X7P-J	DDMMG24X7P-J	DDM24X7P-JNMB	DDM24X7P-JNMBK52
DD	36W4	DDMP36C4P-JK87	DDMC36C4P-JK87	DDMP36C4P-VK87	DDMC36C4P-VK87	DDMMD36X4P-J	DDMMG36X4P-J	DDM36X4P-JNMB	DDM36X4P-JNMBK52
DD	43W2	DDMP43C2P-JK87	DDMC43C2P-JK87	DDMP43C2P-VK87	DDMC43C2P-VK87	DDMMD43X2P-J	DDMMG43X2P-J	DDM43X2P-JNMB	DDM43X2P-JNMBK52
DD	47W1	DDMP47C1P-JK87	DDMC47C1P-JK87	DDMP47C1P-VK87	DDMC47C1P-VK87	DDMMD47X1P-J	DDMMG47X1P-J	DDM47X1P-JNMB	DDM47X1P-JNMBK52

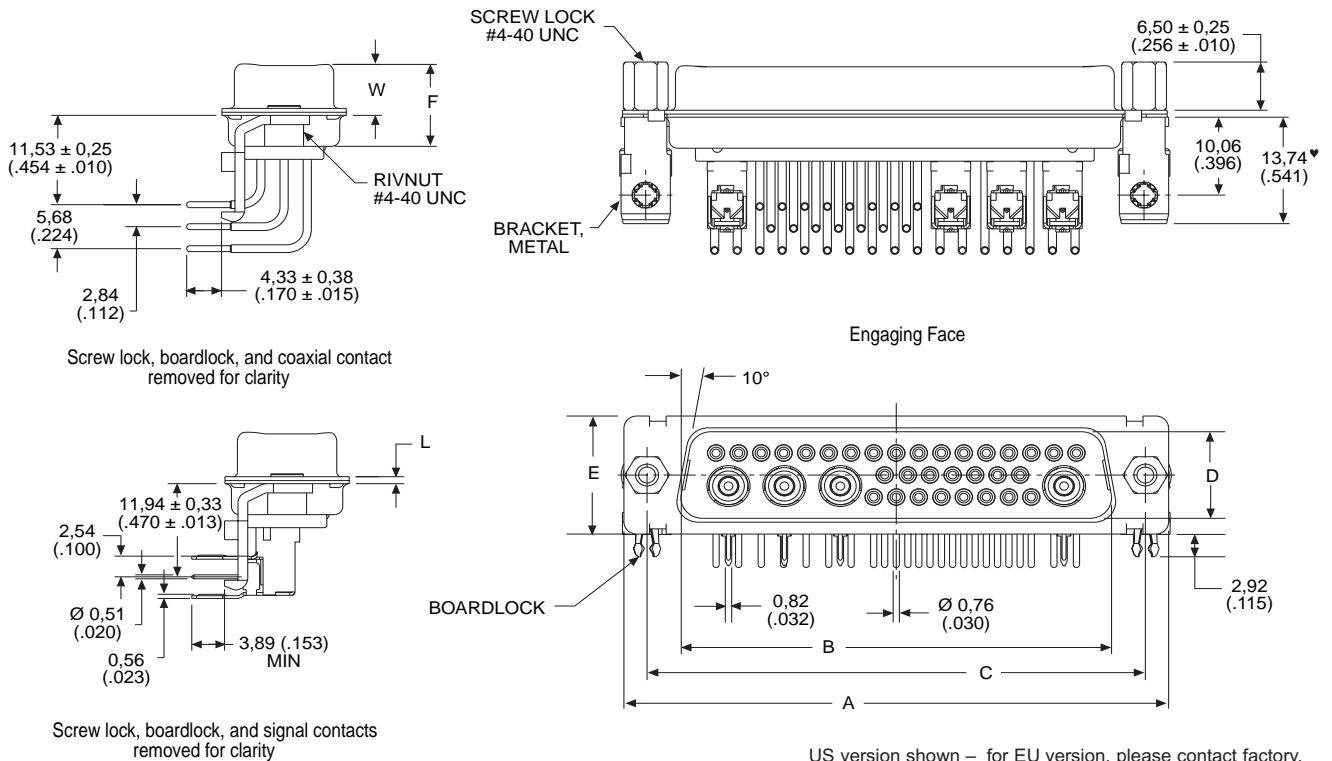
* For 50 ohm coaxial inserts replace C with X, e.g.:DCM13C6P-J becomes DCM13X6P-J. **For M-3 hardware, see part number designator, page 7.

*** Hardware Modifier not allowed with Non Magnetic/ Low Outgassing Combo-D- Contact factory for more information

Plug



- For contact cavity arrangements, see page 61.
- For pcb hole pattern, see pages 67-68.
- For mounting methods, see pages 59-60.



Note: Dimension varies with alternate bracket configuration, see Reader's Resource page 64. For 50 ohm coaxial version, see readers resource section, page 63.

Dimensions

Shell size	A ± 0,38 (.015)	B ± 0,13 (.005)	C ± 0,13 (.005)	D ± 0,13 (.005)	E ± 0,38 (.015)	F ± 0,25 (.010)	W ± 0,41 (.015)	L ± 0,25 (.010)
DD	66,93 (2.635)	52,81 (2.079)	61,11 (2.406)	11,07 (.436)	15,37 (.605)	10,82 (.426)	6,84 (.269)	0,99 (.039)

Dimensions shown in mm
Specifications and dimensions subject to change

www.ittcannon.com



Coaxial 90° PCB Receptacle, sizes DE – DC, with metal bracket

INDUSTRIAL – US
75 Ohm* coax inserted with
US Footprint metal bracket
and UNC 4-40 captive nut

INDUSTRIAL – EU**
75 Ohm* coax inserted with
EU Footprint metal bracket
and UNC 4-40 captive nut

MILITARY/HI-REL – US
50 Ohm* coax inserted with
US Footprint metal bracket
and UNC 4-40 screw lock

NON-MAGNETIC/LOW OUTGASSING – US***
50 Ohm* coax inserted with
US Footprint metal bracket
and UNC 4-40 screw lock

Shell size	Layout	P/N without Boardlock	P/N with Boardlock	P/N without Boardlock	P/N with Boardlock	P/N without Boardlock	P/N with Boardlock	P/N with Cadmium Plating	P/N with Gold Plating
DE	2W2	DEMP2C2S-JA197	DEMC2C2S-JA197	DEMP2C2S-VA197	DEMC2C2S-VA197	DEMMP2X2S-J	DEMMP2X2S-J	DEM2X2S-JNMB	DEM2X2S-JNMBK52
DE	2WK2	DEMP2CK2S-JA197	DEMC2CK2S-JA197	DEMP2CK2S-VA197	DEMC2CK2S-VA197	DEMMP2XK2S-J	DEMMP2XK2S-J	DEM2XK2S-JNMB	DEM2XK2S-JNMBK52
DE	5W1	DEMP5C1S-JA197	DEMC5C1S-JA197	DEMP5C1S-VA197	DEMC5C1S-VA197	DEMMP5X1S-J	DEMMP5X1S-J	DEM5X1S-JNMB	DEM5X1S-JNMBK52
DA	7W2	DAMP7C2S-JA197	DAMC7C2S-JA197	DAMP7C2S-VA197	DAMC7C2S-VA197	DAMMP7X2S-J	DAMMP7X2S-J	DAM7X7S-JNMB	DAM7X2S-JNMBK52
DA	11W1	DAMP11C1S-JA197	DAMC11C1S-JA197	DAMP11C1S-VA197	DAMC11C1S-VA197	DAMMP11X1S-J	DAMMP11X1S-J	DAM11X1S-JNMB	DAM11X1S-JNMBK52
DA	3W3	DAMP3C3S-JA197	DAMC3C3S-JA197	DAMP3C3S-VA197	DAMC3C3S-VA197	DAMMP3X3S-J	DAMMP3X3S-J	DAM3X3S-JNMB	DAM3X3S-JNMBK52
DA	3WK3	DAMP3CK3S-JA197	DAMC3CK3S-JA197	DAMP3CK3S-VA197	DAMC3CK3S-VA197	DAMMP3XK3S-J	DAMMP3XK3S-J	DAM3XK3S-JNMB	DAM3XK3S-JNMBK52
DB	5W5	DBMP5C5S-JA197	DBMC5C5S-JA197	DBMP5C5S-VA197	DBMC5C5S-VA197	DBMMP5X5S-J	DBMMP5X5S-J	DBM5X5S-JNMB	DBM5X5S-JNMBK52
DB	9W4	DBMP9C4S-JA197	DBMC9C4S-JA197	DBMP9C4S-VA197	DBMC9C4S-VA197	DBMMP9X4S-J	DBMMP9X4S-J	DBM9X4S-JNMB	DBM9X4S-JNMBK52
DB	13W3	DBMP13C3S-JA197	DBMC13C3S-JA197	DBMP13C3S-VA197	DBMC13C3S-VA197	DBMMP13X3S-J	DBMMP13X3S-J	DBM13X3S-JNMB	DBM13X3S-JNMBK52
DB	17W2	DBMP17C2S-JA197	DBMC17C2S-JA197	DBMP17C2S-VA197	DBMC17C2S-VA197	DBMMP17X2S-J	DBMMP17X2S-J	DBM17X2S-JNMB	DBM17X2S-JNMBK52
DB	21W1	DBMP21C1S-JA197	DBMC21C1S-JA197	DBMP21C1S-VA197	DBMC21C1S-VA197	DBMMP21X1S-J	DBMMP21X1S-J	DBM21X1S-JNMB	DBM21X1S-JNMBK52
DC	8W8	DCMP8C8S-JA197	DCMC8C8S-JA197	DCMP8C8S-VA197	DCMC8C8S-VA197	DCMMP8X8S-J	DCMMP8X8S-J	DCM8X8S-JNMB	DCM8X8S-JNMBK52
DC	13W6	DCMP13C6S-JA197	DCMC13C6S-JA197	DCMP13C6S-VA197	DCMC13C6S-VA197	DCMMP13X6S-J	DCMMP13X6S-J	DCM13X6S-JNMB	DCM13X6S-JNMBK52
DC	17W5	DCMP17C5S-JA197	DCMC17C5S-JA197	DCMP17C5S-VA197	DCMC17C5S-VA197	DCMMP17X5S-J	DCMMP17X5S-J	DCM17X5S-JNMB	DCM17X5S-JNMBK52
DC	21WA4	DCMP21CA4S-JA197	DCMC21CA4S-JA197	DCMP21CA4S-VA197	DCMC21CA4S-VA197	DCMMP21XA4S-J	DCMMP21XA4S-J	DCM21XA4S-JNMB	DCM21XA4S-JNMBK52
DC	25W3	DCMP25C3S-JA197	DCMC25C3S-JA197	DCMP25C3S-VA197	DCMC25C3S-VA197	DCMMP25X3S-J	DCMMP25X3S-J	DCM25X3S-JNMB	DCM25X3S-JNMBK52
DC	27W2	DCMP27C2S-JA197	DCMC27C2S-JA197	DCMP27C2S-VA197	DCMC27C2S-VA197	DCMMP27X2S-J	DCMMP27X2S-J	DCM27X2S-JNMB	DCM27X2S-JNMBK52

* For 50 ohm coaxial inserts replace C with X, e.g.:DCM13C6S-J becomes DCM13X6S-J. **For M-3 and other hardware options, see part number designator, page 7.

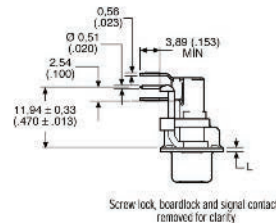
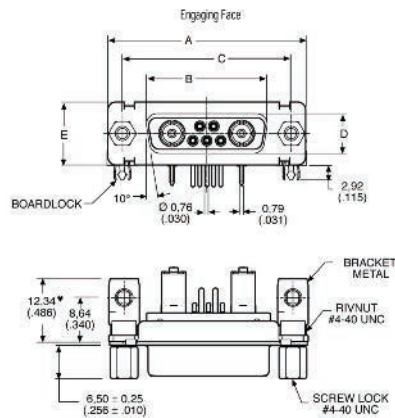
*** Hardware Modifier not allowed with Non Magnetic/ Low Outgassing Combo-D- Contact factory for more information

Receptacle

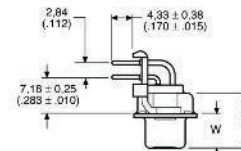


US version shown – for EU version, please see page 14.
For 50 ohm coaxial version, see readers resource section, page 63.

- For contact cavity arrangements, see page 62.
- For pcb hole pattern, see pages 69-71.
- For mounting methods, see pages 59-60.



Screw lock, boardlock and signal contacts removed for clarity



Screw lock, boardlock and coaxial contact removed for clarity

Dimensions

Shell size	A ± 0,38 (.015)	B ± 0,13 (.005)	C ± 0,13 (.005)	D ± 0,13 (.005)	E ± 0,38 (.015)	F ± 0,25 (.010)	W ± 0,38 (.015)	L ± 0,25 (.010)
DE	30,81 (1.213)	16,33 (.643)	24,99 (.984)	7,90 (.311)	12,55 (.494)	10,90 (.429)	6,94 (.273)	0,76 (.030)
DA	39,14 (1.541)	24,65 (.971)	33,32 (1.312)	7,90 (.311)	12,55 (.494)	10,90 (.429)	6,94 (.273)	0,76 (.030)
DB	53,04 (2.088)	38,38 (1.511)	47,04 (1.852)	7,90 (.311)	12,55 (.494)	10,90 (.429)	6,94 (.273)	0,76 (.030)
DC	69,32 (2.729)	54,84 (2.159)	63,50 (2.500)	7,90 (.311)	12,55 (.494)	10,90 (.429)	6,94 (.273)	0,76 (.030)



Dimensions shown in mm
Specifications and dimensions subject to change

www.ittcannon.com

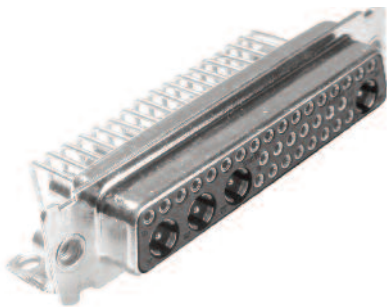
Coaxial 90° PCB Receptacle, size DD, with metal bracket

Shell size	Layout	INDUSTRIAL – US 75 Ohm* coax inserted with US Footprint metal bracket and UNC 4-40 captive nut		INDUSTRIAL – EU** 75 Ohm* coax inserted with EU Footprint metal bracket and UNC 4-40 captive nut		MILITARY/HI-REL – US 75 Ohm* coax inserted with US Footprint metal bracket and UNC 4-40 screw lock		NON-MAGNETIC/LOW OUTGASSING – US*** 75 Ohm* coax inserted with US Footprint metal bracket and UNC 4-40 screw lock	
		P/N without Boardlock	P/N with Boardlock	P/N without Boardlock	P/N with Boardlock	P/N without Boardlock	P/N with Boardlock	P/N with Cadmium Plating	P/N with Gold Plating
DD	24W7	DDMP24C7S-JA197	DDMC24C7S-JA197	DDMP24C7S-VA197	DDMC24C7S-VA197	DDMMD24X7S-J	DDMMG24X2S-J	DDM24X7S-JNMB	DDM24X7S-JNMBK52
DD	36W4	DDMP36C4S-JA197	DDMC36C4S-JA197	DDMP36C4S-VA197	DDMC36C4S-VA197	DDMMD36X4S-J	DDMMG36X1S-J	DDM36X4S-JNMB	DDM36X4S-JNMBK52
DD	43W2	DDMP43C2S-JA197	DDMC43C2S-JA197	DDMP43C2S-VA197	DDMC43C2S-VA197	DDMMD43X2S-J	DDMMG43X2S-J	DDM43X7S-JNMB	DDM43X2S-JNMBK52
DD	47W1	DDMP47C1S-JA197	DDMC47C1S-JA197	DDMP47C1S-VA197	DDMC47C1S-VA197	DDMMD47X1S-J	DDMMG47X1S-J	DDM47X1S-JNMB	DDM47X1S-JNMBK52

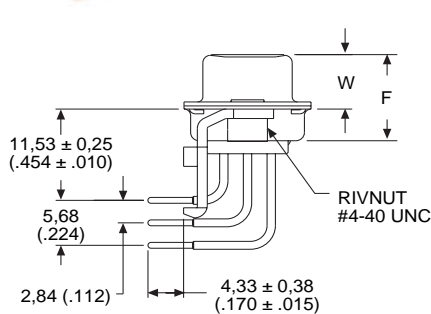
* For 50 ohm coaxial inserts replace C with X, e.g.:DCM13C6 becomes DCM13X6S-JA197 **For M-3 and other hardware options, see part number designator, page 7.

*** Hardware Modifier not allowed with Non Magnetic/ Low Outgassing Combo-D- Contact factory for more information

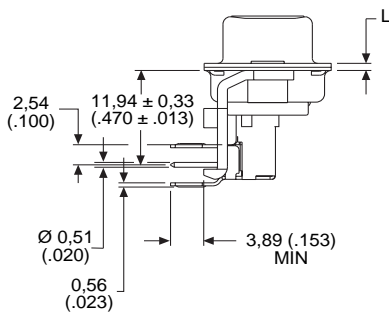
Receptacle



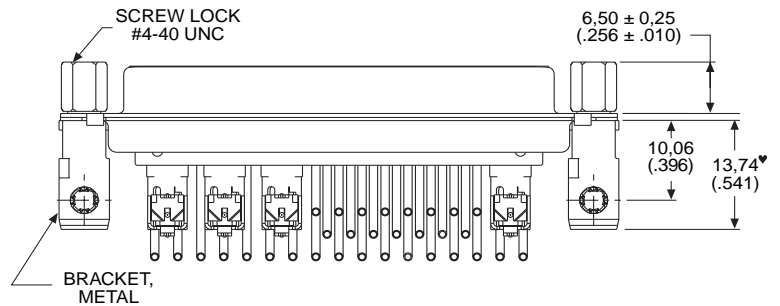
- For contact cavity arrangements, see page 62.
- For pcb hole pattern, see pages 69-71.
- For mounting methods, see pages 59-60.



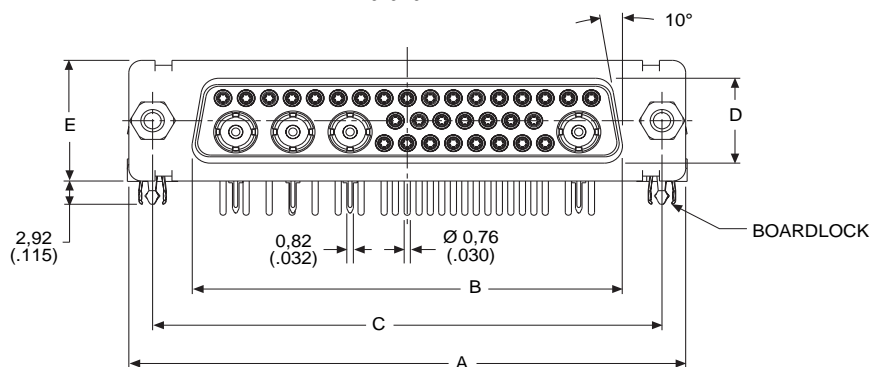
Screw lock, boardlock, and coaxial contacts removed for clarity



Screw lock, boardlock, and signal contacts removed for clarity



Engaging Face



US version shown – for EU version, please see contact factory. For 50 ohm coaxial version, see readers resource section, page 63.

Dimensions

Shell size	A	B	C	D	E	F	W	L
DD	± 0,38 (.015)	± 0,13 (.005)	± 0,13 (.005)	± 0,13 (.005)	± 0,38 (.015)	± 0,25 (.010)	± 0,38 (.015)	± 0,25 (.010)
DD	66,93 (2.635)	52,42 (2.064)	61,11 (2.406)	10,74 (.423)	15,37 (.605)	10,90 (.429)	6,94 (.273)	0,76 (.030)

Dimensions shown in mm
Specifications and dimensions subject to change

www.ittcannon.com



Coaxial 90° PCB Plug, sizes DE – DC, with bracket

75 Ohm part numbers with bracket and captive nut M3

75 Ohm part numbers with bracket with bushing dia. 3,05

75 Ohm part number with bracket with post M3

Shell Layout size	Plastic Bracket	Metal Bracket	Plastic Bracket	Metal Bracket	Plastic Bracket	Metal Bracket
DE 2W2	DEM-2C2P-1ATN-A191-K87	DEM02C2P-1A9N-A191-K87	DEM-2C2P-1A5N-A191-K87	DEM-2C2P-1AFN-A191-K87	DEM-2C2P-APN-A191-K87	DEM-2C2P-1AHN-A191-K87
DE 2WK2	DEM-2CK2P-1ATN-A191-K87	DEM02CK2P-1A9N-A191-K87	DEM-2CK2P-1A5N-A191-K87	DEM-2CK2P-1AFN-A191-K87	DEM-2CK2P-APN-A191-K87	DEM-2CK2P-1AHN-A191-K87
DE 5W1	DEM-5C1P-1ATN-A191-K87	DEM-5C1P-1A9N-A191-K87	DEM-5C1P-1A5N-A191-K87	DEM-5C1P-1AFN-A191-K87	DEM-5C1P-APN-A191-K87	DEM-5C1P-1AHN-A191-K87
DA 7W2	DAM-7C2P-1ATN-A191-K87	DAM-7C2P-1A9N-A191-K87	DAM-7C2P-1A5N-A191-K87	DAM-7C2P-1AFN-A191-K87	DAM-7C2P-1APN-A191-K87	DAM-7C2P-1AHN-A191-K87
DA 11W1	DAM-11C1P-1ATN-A191-K87	DAM-11C1P-1A9N-A191-K87	DAM-11C1P-1A5N-A191-K87	DAM-11C1P-1AFN-A191-K87	DAM-11C1P-1APN-A191-K87	DAM-11C1P-1AHN-A191-K87
DA 3W3	DAM-3C3P-1ATN-A191-K87	DAM-3C3P-1A9N-A191-K87	DAM-3C3P-1A5N-A191-K87	DAM-3C3P-1AFN-A191-K87	DAM-3C3P-1APN-A191-K87	DAM-3C3P-1AHN-A191-K87
DA 3WK3	DAM-3CK3P-1ATN-A191-K87	DAM-3CK3P-1A9N-A191-K87	DAM-3CK3P-1A5N-A191-K87	DAM-3CK3P-1AFN-A191-K87	DAM-3CK3P-1APN-A191-K87	DAM-3CK3P-1AHN-A191-K87
DB 5W5	DBM-5C5P-1ATN-A191-K87	DBM-5C5P-1A9N-A191-K87	DBM-5C5P-1A5N-A191-K87	DBM-5C5P-1AFN-A191-K87	DBM-5C5P-1APN-A191-K87	DBM-5C5P-1AHN-A191-K87
DB 9W4	DBM-9C4P-1ATN-A191-K87	DBM-9C4P-1A9N-A191-K87	DBM-9C4P-1A5N-A191-K87	DBM-9C4P-1AFN-A191-K87	DBM-9C4P-1APN-A191-K87	DBM-9C4P-1AHN-A191-K87
DB 13W3	DBM-13C3P-1ATN-A191-K87	DBM-13C3P-1A9N-A191-K87	DBM-13C3P-1A5N-A191-K87	DBM-13C3P-1AFN-A191-K87	DBM-13C3P-1APN-A191-K87	DBM-13C3P-1AHN-A191-K87
DB 17W2	DBM-17C2P-1ATN-A191-K87	DBM-17C2P-1A9N-A191-K87	DBM-17C2P-1A5N-A191-K87	DBM-17C2P-1AFN-A191-K87	DBM-17C2P-1APN-A191-K87	DBM-17C2P-1AHN-A191-K87
DB 21W1	DBM-21C1P-1ATN-A191-K87	DBM-21C1P-1A9N-A191-K87	DBM-21C1P-1A5N-A191-K87	DBM-21C1P-1AFN-A191-K87	DBM-21C1P-1APN-A191-K87	DBM-21C1P-1AHN-A191-K87
DC 8W8	DCM-8C8P-1ATN-A191-K87	DCM-8C8P-1A9N-A191-K87	DCM-8C8P-1A5N-A191-K87	DCM-8C8P-1AFN-A191-K87	DCM-8C8P-1APN-A191-K87	DCM-8C8P-1AHN-A191-K87
DC 13W6	DCM-13C6P-1ATN-A191-K87	DCM-13C6P-1A9N-A191-K87	DCM-13C6P-1A5N-A191-K87	DCM-13C6P-1AFN-A191-K87	DCM-13C6P-1APN-A191-K87	DCM-13C6P-1AHN-A191-K87
DC 17W5	DCM-17C5P-1ATN-A191-K87	DCM-17C5P-1A9N-A191-K87	DCM-17C5P-1A5N-A191-K87	DCM-17C5P-1AFN-A191-K87	DCM-17C5P-1APN-A191-K87	DCM-17C5P-1AHN-A191-K87
DC 21WA4	DCM-21CA4P-1ATN-A191-K87	DCM-21CA4P-1A9N-A191-K87	DCM-21CA4P-1A5N-A191-K87	DCM-21CA4P-1AFN-A191-K87	DCM-21CA4P-1APN-A191-K87	DCM-21CA4P-1AHN-A191-K87
DC 25W3	DCM-25C3P-1ATN-A191-K87	DCM-25C3P-1A9N-A191-K87	DCM-25C3P-1A5N-A191-K87	DCM-25C3P-1AFN-A191-K87	DCM-25C3P-1APN-A191-K87	DCM-25C3P-1AHN-A191-K87
DC 27W2	DCM-27C2P-1ATN-A191-K87	DCM-27C2P-1A9N-A191-K87	DCM-27C2P-1A5N-A191-K87	DCM-27C2P-1AFN-A191-K87	DCM-27C2P-1APN-A191-K87	DCM-27C2P-1AHN-A191-K87

For performance class 1 replace A191 with A190.
For performance class 3 delete A191.

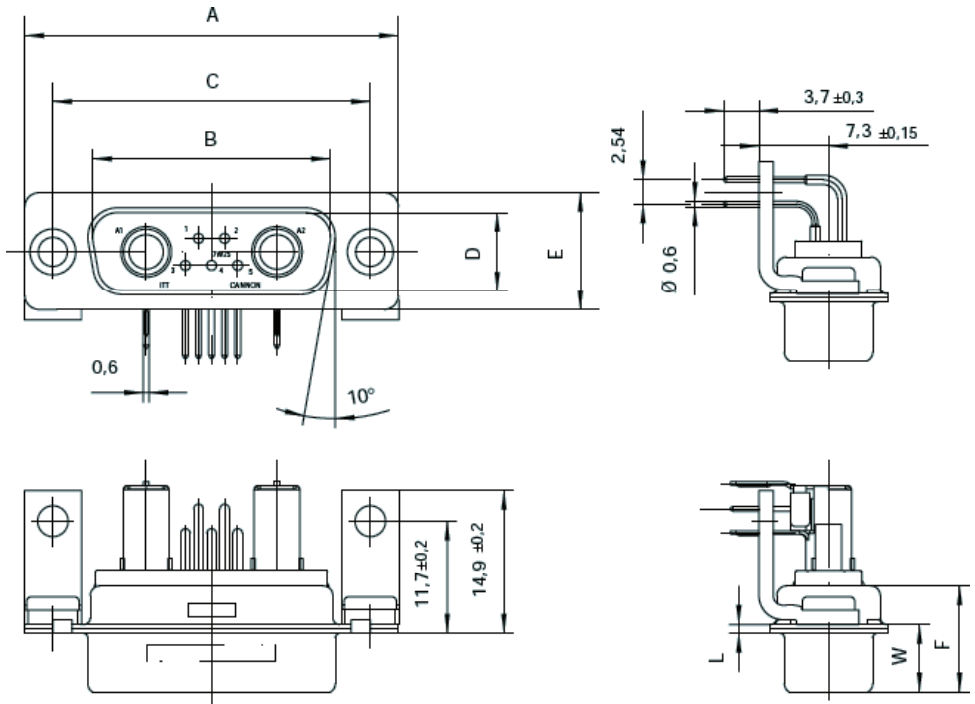
For 50 ohm coaxial replace C with X. Example:
DCM-13C6P-1AFN-A191-K87-146 becomes
DCM-13X6P-1AFN-A191-K87-146.

For pushfit add -146 modifier.
For pushfit 90° pcb hole diameter 3,2 replace 146 with 162.

Plug



- For contact cavity arrangements, see page 61.
- For pcb hole pattern, see pages 72-73.
- For mounting methods, see pages 59-60.



Dimensions

Shell size	A ± 0,38 (.015)	B ± 0,13 (.005)	C ± 0,13 (.005)	D ± 0,13 (.005)	E ± 0,38 (.015)	F ± 0,25 (.010)	W ± 0,25 (.010)	L ± 0,38 (.015)
DE	30,8 (1.213)	16,9 (.665)	25,0 (.984)	8,35 (.329)	12,55 (.494)	10,7 (.421)	6,7 (.264)	0,8 (.031)
DA	39,15 (1.541)	25,5 (.994)	33,33 (1.311)	8,35 (.329)	12,55 (.494)	10,7 (.421)	6,7 (.264)	0,8 (.031)
DB	53,05 (2.089)	38,95 (1.533)	47,05 (1.852)	8,35 (.329)	12,55 (.494)	10,8 (.425)	6,8 (.268)	0,9 (.035)
DC	69,3 (2.728)	55,4 (2.181)	63,5 (2.5)	8,35 (.329)	12,55 (.494)	10,8 (.425)	6,8 (.268)	0,9 (.035)



Dimensions shown in mm
Specifications and dimensions subject to change

www.ittcannon.com

Coaxial 90° PCB Receptacle, sizes DE – DC, with bracket

75 Ohm part numbers with bracket and captive nut M3

75 Ohm part numbers with bracket with bushing dia. 3,05

75 Ohm part number with bracket with post M3

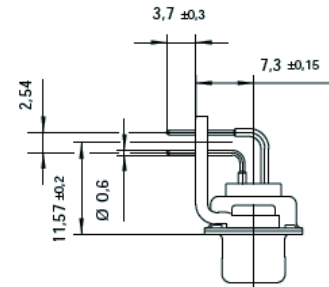
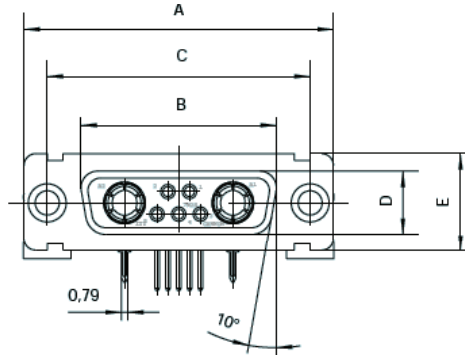
Shell Layout size	Plastic Bracket	Metal Bracket	Plastic Bracket	Metal Bracket	Plastic Bracket	Metal Bracket
DE 2W2	DEM-2C2S-1ATN-A191-A197	DEM-2C2S-1A9N-A191-A197	DEM-2C2S-1A5N-A191-A197	DEM-2C2S-1AFN-A191-A197	DEM-2C2S-1APN-A191-A197	DEM-2C2S-1AHN-A191-A197
DE 2WK2	DEM-2CK2S-1ATN-A191-A197	DEM-2CK2S-1A9N-A191-A197	DEM-2CK2S-1A5N-A191-A197	DEM-2CK2S-1AFN-A191-A197	DEM-2CK2S-1APN-A191-A197	DEM-2CK2S-1AHN-A191-A197
DE 5W1	DEM-5C1S-1ATN-A191-A197	DEM-5C1S-1A9N-A191-A197	DEM-5C1S-1A5N-A191-A197	DEM-5C1S-1AFN-A191-A197	DEM-5C1S-1APN-A191-A197	DEM-5C1S-1AHN-A191-A197
DA 7W2	DAM-7C2S-1ATN-A191-A197	DAM-7C2S-1A9N-A191-A197	DAM-7C2S-1A5N-A191-A197	DAM-7C2S-1AFN-A191-A197	DAM-7C2S-1APN-A191-A197	DAM-7C2S-1AHN-A191-A197
DA 11W1	DAM-11C1S-1ATN-A191-A197	DAM-11C1S-1A9N-A191-A197	DAM-11C1S-1A5N-A191-A197	DAM-11C1S-1AFN-A191-A197	DAM-11C1S-1APN-A191-A197	DAM-11C1S-1AHN-A191-A197
DA 3W3	DAM-3C3S-1ATN-A191-A197	DAM-3C3S-1A9N-A191-A197	DAM-3C3S-1A5N-A191-A197	DAM-3C3S-1AFN-A191-A197	DAM-3C3S-1APN-A191-A197	DAM-3C3S-1AHN-A191-A197
DA 3WK3	DAM-3CK3S-1ATN-A191-A197	DAM-3CK3S-1A9N-A191-A197	DAM-3CK3S-1A5N-A191-A197	DAM-3CK3S-1AFN-A191-A197	DAM-3CK3S-1APN-A191-A197	DAM-3CK3S-1AHN-A191-A197
DB 5W5	DBM-5C5S-1ATN-A191-A197	DBM-5C5S-1A9N-A191-A197	DBM-5C5S-1A5N-A191-A197	DBM-5C5S-1AFN-A191-A197	DBM-5C5S-1APN-A191-A197	DBM-5C5S-1AHN-A191-A197
DB 9W4	DBM-9C4S-1ATN-A191-A197	DBM-9C4S-1A9N-A191-A197	DBM-9C4S-1A5N-A191-A197	DBM-9C4S-1AFN-A191-A197	DBM-9C4S-1APN-A191-A197	DBM-9C4S-1AHN-A191-A197
DB 13W3	DBM-13C3S-1ATN-A191-A197	DBM-13C3S-1A9N-A191-A197	DBM-13C3S-1A5N-A191-A197	DBM-13C3S-1AFN-A191-A197	DBM-13C3S-1APN-A191-A197	DBM-13C3S-1AHN-A191-A197
DB 17W2	DBM-17CS2-1ATN-A191-A197	DBM-17CS2-1A9N-A191-A197	DBM-17CS2-1A5N-A191-A197	DBM-17CS2-1AFN-A191-A197	DBM-17CS2-1APN-A191-A197	DBM-17CS2-1AHN-A191-A197
DB 21W1	DBM-21C1S-1ATN-A191-A197	DBM-21C1S-1A9N-A191-A197	DBM-21C1S-1A5N-A191-A197	DBM-21C1S-1AFN-A191-A197	DBM-21C1S-1APN-A191-A197	DBM-21C1S-1AHN-A191-A197
DC 8W8	DCM-8C8S-1ATN-A191-A197	DCM-8C8S-1A9N-A191-A197	DCM-8C8S-1A5N-A191-A197	DCM-8C8S-1AFN-A191-A197	DCM-8C8S-1APN-A191-A197	DCM-8C8S-1AHN-A191-A197
DC 13W6	DCM-13C6S-1ATN-A191-A197	DCM-13C6S-1A9N-A191-A197	DCM-13C6S-1A5N-A191-A197	DCM-13C6S-1AFN-A191-A197	DCM-13C6S-1APN-A191-A197	DCM-13C6S-1AHN-A191-A197
DC 17W5	DCM-17C5S-1ATN-A191-A197	DCM-17C5S-1A9N-A191-A197	DCM-17C5S-1A5N-A191-A197	DCM-17C5S-1AFN-A191-A197	DCM-17C5S-1APN-A191-A197	DCM-17C5S-1AHN-A191-A197
DC 21WA4	DCM-21CA4S-1ATN-A191-A197	DCM-21CA4S-1A9N-A191-A197	DCM-21CA4S-1A5N-A191-A197	DCM-21CA4S-1AFN-A191-A197	DCM-21CA4S-1APN-A191-A197	DCM-21CA4S-1AHN-A191-A197
DC 25W3	DCM-25C3S-1ATN-A191-A197	DCM-25C3S-1A9N-A191-A197	DCM-25C3S-1A5N-A191-A197	DCM-25C3S-1AFN-A191-A197	DCM-25C3S-1APN-A191-A197	DCM-25C3S-1AHN-A191-A197
DC 27W2	DCM-27C2S-1ATN-A191-A197	DCM-27C2S-1A9N-A191-A197	DCM-27C2S-1A5N-A191-A197	DCM-27C2S-1AFN-A191-A197	DCM-27C2S-1APN-A191-A197	DCM-27C2S-1AHN-A191-A197

For performance class 1 replace A191 with A190.
For performance class 3 delete A191.

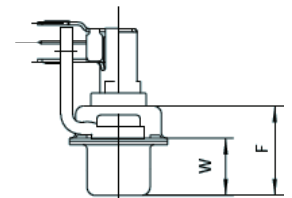
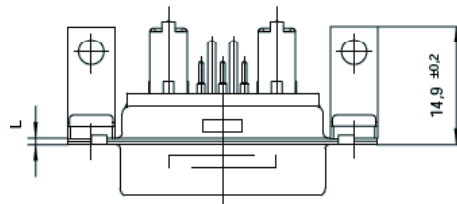
For 50 ohm coaxial replace C with X, Example:
DCM-13C6S-1AFN-A191-A197-146 becomes
DCM-13X6S-1AFN-A191-A197-146.

For 3,0 mm pushfit add -146 modifier,
For 3,2 mm pushfit add -162 modifier.

Receptacle



- For contact cavity arrangements, see page 62.
- For pcb hole pattern, see pages 74-75.
- For mounting methods, see pages 59-60.



Dimensions

Shell size	A ± 0,38 (.015)	B ± 0,13 (.005)	C ± 0,13 (.005)	D ± 0,13 (.005)	E ± 0,38 (.015)	F ± 0,25 (.010)	W ± 0,25 (.010)	L ± 0,38 (.015)
DE	30,8 (1.213)	16,35 (.644)	25 (.984)	7,90 (.311)	12,55 (.494)	10,90 (.429)	6,95 (.274)	0,8 (.031)
DA	39,15 (1.541)	24,65 (.970)	33,33 (1.311)	7,90 (.311)	12,55 (.494)	10,90 (.429)	6,95 (.274)	0,8 (.031)
DB	53,05 (2.089)	38,4 (1.512)	47,05 (1.852)	7,90 (.311)	12,55 (.494)	10,90 (.429)	6,95 (.274)	0,8 (.031)
DC	69,3 (2.728)	54,85 (2.159)	63,5 (2.5)	7,90 (.311)	12,55 (.494)	10,90 (.429)	6,95 (.274)	0,8 (.031)

Dimensions shown in mm
Specifications and dimensions subject to change

www.ittcannon.com



Coaxial straight PCB Plug, sizes DE – DD

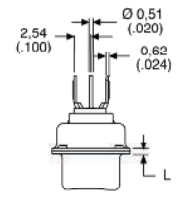
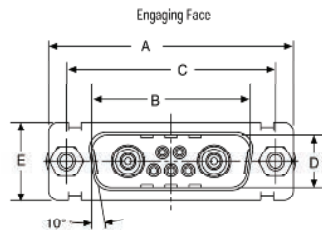
75 Ohm* coax inserted with straight contacts
and standoff with UNC 4-40 thread

Shell size	Layout	75 OHM INDUSTRIAL		50 OHM MILITARY/HI-REL		NON-MAGNETIC/LOW OUTGASSING***	
		P/N without Boardlock	P/N with Boardlock	P/N without Boardlock	P/N with UNC Boardlock	P/N with Cadmium Plating	P/N with Gold Plating
DE	2W2	DEMV2C2P-NK87	DEM2C2P-NK87	DEMMV2X2P-N	DEM2X2P-N	DEMV2X2P-NNMB	DEM2X2P-NNMBK52
DE	2WK2	DEM2C2P-NK87	DEM2C2P-NK87	DEMMV2XK2P-N	DEM2XK2P-N	DEMV2XK2P-NNMB	DEM2XK2P-NNMBK52
DE	5W1	DEMV5C1P-NK87	DEM25C1P-NK87	DEMMV5X1P-N	DEM25X12P-N	DEMV5X1P-NNMB	DEM25X1P-NNMBK52
DA	7W2	DAMV7C2P-NK87	DAM27C2P-NK87	DAMMV7X2P-N	DAM27X2P-N	DAMV7X2P-NNMB	DAM27X2P-NNMBK52
DA	7W2	DAMV7C2P-NAK87	DAM27C2P-NAK87	DAMMV7X2P-N	DAM27X2P-N	DAMV7X2P-NNMB	DAM27X2P-NNMBK52
DA	11W1	DAMV11C1P-NK87	DAM211C1P-NK87	DAMMV11X1P-N	DAM211X1P-N	DAMV11X1P-NNMB	DAM211X1P-NNMBK52
DA	3W3	DAMV3C3P-NK87	DAM23C3P-NK87	DAMMV3X3P-N	DAM23X3P-N	DAMV3X3P-NNMB	DAM23X3P-NNMBK52
DA	3WK3	DAMV3C3P-NK87	DAM23C3P-NK87	DAMMV3XK3P-N	DAM23XK3P-N	DAMV3XK3P-NNMB	DAM23XK3P-NNMBK52
DB	5W5	DBMV5C5P-NK87	DBM25C5P-NK87	DBMMV5X5P-N	DBM25X5P-N	DBMV5X5P-NNMB	DBM25X5P-NNMBK52
DB	9W4	DBMV9C4P-NK87	DBM29C4P-NK87	DBMMV9X4P-N	DBM29X4P-N	DBMV9X4P-NNMB	DBM29X4P-NNMBK52
DB	13W3	DBMV13C3P-NK87	DBM213C3P-NK87	DBMMV13X3P-N	DBM213X3P-N	DBMV13X3P-NNMB	DBM213X3P-NNMBK52
DB	17W2	DBMV17C2P-NK87	DBM217C2P-NK87	DBMMV17X2P-N	DBM217X2P-N	DBMV17X2P-NNMB	DBM217X2P-NNMBK52
DB	21W1	DBMV21C1P-NK87	DBM221C1P-NK87	DBMMV21X1P-N	DBM221X1P-N	DBMV21X1P-NNMB	DBM221X1P-NNMBK52
DC	8W8	DCMV8C8P-NK87	DCM28C8P-NK87	DCMMV8X8P-N	DCM28X8P-N	DCMV8X8P-NNMB	DCM28X8P-NNMBK52
DC	13W6	DCMV13C6P-NK87	DCM213C6P-NK87	DCMMV13X6P-N	DCM213X6P-N	DCMV13X6P-NNMB	DCM213X6P-NNMBK52
DC	17W5	DCMV17C5P-NK87	DCM217C5P-NK87	DCMMV17X5P-N	DCM217X5P-N	DCMV17X5P-NNMB	DCM217X5P-NNMBK52
DC	21WA4	DCMV21CA4P-NK87	DCM221CA4P-NK87	DCMMV21XA4P-N	DCM221XA4P-N	DCMV21XA4P-NNMB	DCM221XA4P-NNMBK52
DC	25W3	DCMV25C3P-NK87	DCM225C3P-NK87	DCMMV25X3P-N	DCM225X3P-N	DCMV25X3P-NNMB	DCM225X3P-NNMBK52
DC	27W2	DCMV27C2P-NK87	DCM227C2P-NK87	DCMMV27X2P-N	DCM227X2P-N	DCMV27X2P-NNMB	DCM227X2P-NNMBK52
DD	24W7	DDMV24C7P-NK87	DDM224C7P-NK87	DDMMV24X7P-N	DDM224X7P-N	DDMV24X7P-NNMB	DDM224X7P-NNMBK52
DD	36W4	DDMV36C4P-NK87	DDM236C4P-NK87	DDMMV36X4P-N	DDM236X4P-N	DDMV36X4P-NNMB	DDM236X4P-NNMBK52
DD	43W2	DDMV43C2P-NK87	DDM243C2P-NK87	DDMMV43X2P-N	DDM243X2P-N	DDMV43X2P-NNMB	DDM243X2P-NNMBK52
DD	47W1	DDMV47C1P-NK87	DDM247C1P-NK87	DDMMV47X1P-N	DDM247X1P-N	DDMV47X1P-NNMB	DDM247X1P-NNMBK52

* For 50 ohm coaxial inserts replace C with X, e.g.:DDMZ43C2P-N becomes DDMZ43X2P-N. For M-3 and other hardware options, see part number designator, page 7.

*** Hardware Modifier not allowed with Non Magnetic/ Low Outgassing Combo-D- Contact factory for more information

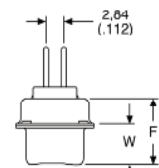
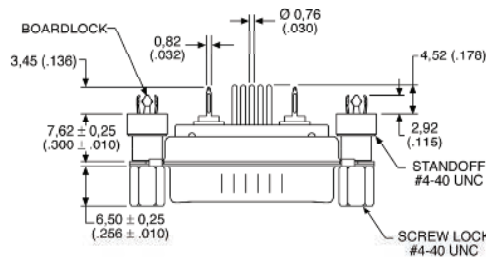
Plug



Screw lock, boardlock, and signal contacts removed for clarity

For contact cavity arrangements, see page 61.

- For pcb hole pattern, see pages 76-78.
- For mounting methods, see pages 59-60.



Screw lock, boardlock, and coaxial contact removed for clarity

Dimensions

Shell size	A ± 0,38 (.015)	B ± 0,13 (.005)	C ± 0,13 (.005)	D ± 0,13 (.005)	E ± 0,38 (.015)	F ± 0,25 (.010)	W ± 0,368 (.0145)	W ± 0,41 (.016)	L ± 0,25 (.010)
DE	30,81 (1.213)	16,92 (.665)	24,99 (.984)	8,36 (.329)	12,55 (.494)	10,72 (.422)	6,693 (.2635)	—	0,76 (.030)
DA	39,14 (1.541)	25,25 (.994)	33,32 (1.312)	8,36 (.329)	12,55 (.494)	10,72 (.422)	6,693 (.2635)	—	0,76 (.030)
DB	53,04 (2.088)	38,96 (1.534)	47,04 (1.852)	8,36 (.329)	12,55 (.494)	10,82 (.426)	—	6,84 (.269)	0,99 (.039)
DC	69,32 (2.729)	55,42 (2.182)	63,50 (2.500)	8,36 (.329)	12,55 (.494)	10,82 (.426)	—	6,84 (.269)	0,99 (.039)
DD	66,93 (2.635)	52,81 (2.079)	61,11 (2.406)	11,07 (.436)	15,37 (.605)	10,82 (.426)	6,84 (.269)	0,99 (.039)	—



Dimensions shown in mm
Specifications and dimensions subject to change

www.ittcannon.com

Coaxial straight PCB Receptacle, sizes DE – DD

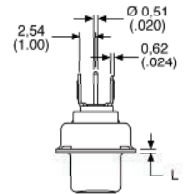
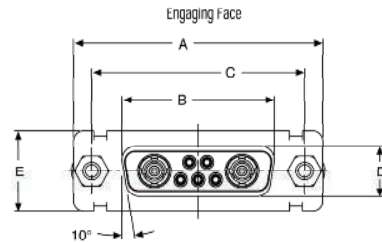
75 Ohm* coax inserted with straight contacts
and standoff with UNC 4-40 thread

Shell size	Layout	75 OHM INDUSTRIAL		50 OHM MILITARY/HI-REL		50 OHM NON-MAGNETIC/LOW OUTGASSING***	
		P/N without Boardlock	P/N with Boardlock	P/N without Boardlock	P/N with UNC Boardlock	P/N with Cadmium Plating	P/N with Gold Plating
DE	2W2	DEM2C2S-NA197	DEM2C2S-NA197	DEMMV2X2S-N	DEMMZ2X2S-N	DEM2X2S-NNMB	DEM2X2S-NNMBK52
DE	2WK2	DEM2C2K2S-NA197	DEM2C2K2S-NA197	DEMMV2XK2S-N	DEMMZ2XK2S-N	DEM2XK2S-NNMB	DEM2XK2S-NNMBK52
DE	5W1	DEM5C1S-NA197	DEM5C1S-NA197	DEMMV5X1S-N	DEMMZ5X1S-N	DEM5X1S-NNMB	DEM5X1S-NNMBK52
DA	7W2	DAMV7C2S-NA197	DAMZ7C2S-NA197	DAMMV7X2S-N	DAMMZ7X2S-N	DAM7X2S-NNMB	DAM7X2S-NNMBK52
DA	11W1	DAMV11C1S-NA197	DAMZ11C1S-NA197	DAMMV11X1S-N	DAMMZ11X1S-N	DAM11X1S-NNMB	DAM11X1S-NNMBK52
DA	3W3	DAMV3C3S-NA197	DAMZ3C3S-NA197	DAMMV3X3S-N	DAMMZ3X3S-N	DAM3X3S-NNMB	DAM3X3S-NNMBK52
DA	3WK3	DAMV3CK3S-NA197	DAMZ3CK3S-NA197	DAMMV3XK3S-N	DAMMZ3XK3S-N	DAM3XK3S-NNMB	DAM3XK3S-NNMBK52
DB	5W5	DBMV5C5S-NA197	DBMZ5C5S-NA197	DBMMV5X5S-N	DBMMZ5X5S-N	DBM5X5S-NNMB	DBM5X5S-NNMBK52
DB	9W4	DBMV9C4S-NA197	DBMZ9C4S-NA197	DBMMV9X4S-N	DBMMZ9X4S-N	DBM9X4S-NNMB	DBM9X4S-NNMBK52
DB	13W3	DBMV13C3S-NA197	DBMZ13C3S-NA197	DBMMV13X3S-N	DBMMZ13X3S-N	DBM13X3S-NNMB	DBM13X3S-NNMBK52
DB	17W2	DBMV17C2S-NA197	DBMZ17C2S-NA197	DBMMV17X2S-N	DBMMZ17X2S-N	DBM17X2S-NNMB	DBM17X2S-NNMBK52
DB	21W1	DBMV21C1S-NA197	DBMZ21C1S-NA197	DBMMV21X1S-N	DBMMZ21X1S-N	DBM21X1S-NNMB	DBM21X1S-NNMBK52
DC	8W8	DCMV8C8S-NA197	DCMZ8C8S-NA197	DCMMV8X8S-N	DCMMZ8X8S-N	DCM8X8S-NNMB	DCM8X8S-NNMBK52
DC	13W6	DCMV13C6S-NA197	DCMZ13C6S-NA197	DCMMV13X6S-N	DCMMZ13X6S-N	DCM13X6S-NNMB	DCM13X6S-NNMBK52
DC	17W5	DCMV17C5S-NA197	DCMZ17C5S-NA197	DCMMV17X5S-N	DCMMZ17X5S-N	DCM17X5S-NNMB	DCM17X5S-NNMBK52
DC	21WA4	DCMV21CA4S-NA197	DCMZ21CA4S-NA197	DCMMV21XA4S-N	DCMMZ21XA4S-N	DCM21XA4S-NNMB	DCM21XA4S-NNMBK52
DC	25W3	DCMV25C3S-NA197	DCMZ25C3S-NA197	DCMMV25X3S-N	DCMMZ25X3S-N	DCM25X3S-NNMB	DCM25X3S-NNMBK52
DC	27W2	DCMV27C2S-NA197	DCMZ27C2S-NA197	DCMMV27X2S-N	DCMMZ27X2S-N	DCM27X2S-NNMB	DCM27X2S-NNMBK52
DD	24W7	DDMV24C7S-NA197	DDMZ24C7S-NA197	DDMMV24X7S-N	DDMMZ24X7S-N	DDM24X7S-NNMB	DDM24X7S-NNMBK52
DD	36W4	DDMV36C4S-NA197	DDMZ36C4S-NA197	DDMMV36X4S-N	DDMMZ36X4S-N	DDM36X4S-NNMB	DDM36X4S-NNMBK52
DD	43W2	DDMV43C2S-NA197	DDMZ43C2S-NA197	DDMMV43X2S-N	DDMMZ43X2S-N	DDM43X2S-NNMB	DDM43X2S-NNMBK52
DD	47W1	DDMV47C1S-NA197	DDMZ47C1S-NA197	DDMMV47X1S-N	DDMMZ47X1S-N	DDM47X1S-NNMB	DDM47X1S-NNMBK52

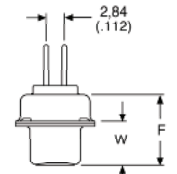
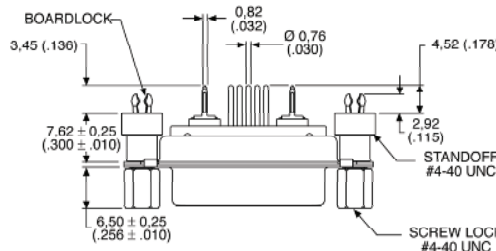
* For 50 ohm coaxial inserts replace C with X, e.g.:DDMZ43C2S-N becomes DDMZ43X2S-J. **For M-3 and other hardware options, see part number designator, page 7.

*** Hardware Modifier not allowed with Non Magnetic/ Low Outgassing Combo-D- Contact factory for more information

Receptacle



Hardware and signal contacts removed for clarity



Hardware and coaxial contact removed for clarity

- For contact cavity arrangements, see page 62.
- For pcb hole pattern, see pages 79-81.
- For mounting methods, see pages 59-60.

Dimensions

Shell size	A ± 0,38 (.015)	B ± 0,13 (.005)	C ± 0,13 (.005)	D ± 0,13 (.005)	E ± 0,38 (.015)	F ± 0,25 (.010)	W ± 0,38 (.015)	L ± 0,25 (.010)
DE	30,81 (1.213)	16,33 (.643)	24,99 (.984)	7,90 (.311)	12,55 (.494)	10,90 (.429)	6,94 (.273)	0,76 (.030)
DA	39,14 (1.541)	24,65 (.971)	33,32 (1.312)	7,90 (.311)	12,55 (.494)	10,90 (.429)	6,94 (.273)	0,76 (.030)
DB	53,04 (2.088)	38,38 (1.511)	47,04 (1.852)	7,90 (.311)	12,55 (.494)	10,90 (.429)	6,94 (.273)	0,76 (.030)
DC	69,32 (2.729)	54,84 (2.159)	63,50 (2.500)	7,90 (.311)	12,55 (.494)	10,90 (.429)	6,94 (.273)	0,76 (.030)
DD	66,93 (2.635)	52,42 (2.064)	61,11 (2.406)	10,74 (.423)	15,37 (.605)	10,90 (.429)	6,94 (.273)	0,76 (.030)

Dimensions shown in mm
Specifications and dimensions subject to change

www.ittcannon.com



Coaxial straight- European solder pins, sizes DE – DD

75 Ohm* coax inserted with straight contacts

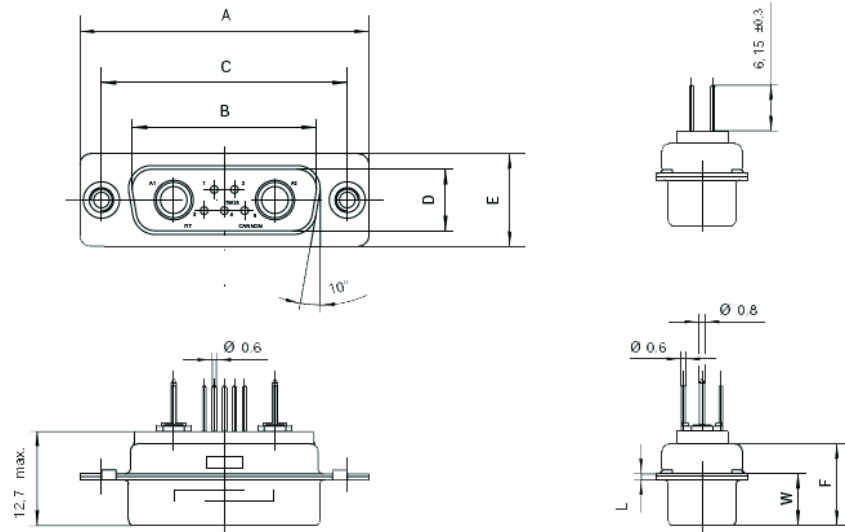
Shell	Layout	with standoff M3 with pushfit	with standoff M3 with pushfit	standoff, M3 post and	with M3 clinch nut	with through hole 3,05 mm
DE	2W2	DEMT-2C2P-OL4-A191-K87	DEMQ-2C2P-OL4-A191-K87	DEMU-2C2P-OL4-A191-K87	DEMX-2C2P-OL4-A191-K87	DEM-2C2P-OL4-A191-K87
DE	2WK2	DEMT-2CK2P-OL4-A191-K87	DEMQ-2CK2P-OL4-A191-K87	DEMU-2CK2P-OL4-A191-K87	DEMX-2CK2P-OL4-A191-K87	DEM-2CK2P-OL4-A191-K87
DE	5W1	DEMT-5C1P-OL4-A191-K87	DEMQ-5C1P-OL4-A191-K87	DEMU-5C1P-OL4-A191-K87	DEMX-5C1P-OL4-A191-K87	DEM-5C1P-OL4-A191-K87
DA	7W2	DAMT-7C2P-OL4-A191-K87	DAMQ-7C2P-OL4-A191-K87	DAMU-7C2P-OL4-A191-K87	DAMX-7C2P-OL4-A191-K87	DAM-7C2P-OL4-A191-K87
DA	11W1	DAMT-11C1P-OL4-A191-K87	DAMQ-11C1P-OL4-A191-K87	DAMU-11C1P-OL4-A191-K87	DAMX-11C1P-OL4-A191-K87	DAM-11C1P-OL4-A191-K87
DA	3W3	DAMT-3C3P-OL4-A191-K87	DAMQ-3C3P-OL4-A191-K87	DAMU-3C3P-OL4-A191-K87	DAMX-3C3P-OL4-A191-K87	DAM-3C3P-OL4-A191-K87
DA	3WK3	DAMT-3CK3P-OL4-A191-K87	DAMQ-3CK3P-OL4-A191-K87	DAMU-3CK3P-OL4-A191-K87	DAMX-3CK3P-OL4-A191-K87	DAM-3CK3P-OL4-A191-K87
DB	5W5	DBMT-5C5P-OL4-A191-K87	DBMQ-5C5P-OL4-A191-K87	DBMU-5C5P-OL4-A191-K87	DBMX-5C5P-OL4-A191-K87	DBM-5C5P-OL4-A191-K87
DB	9W4	DBMT-9C4P-OL4-A191-K87	DBMQ-9C4P-OL4-A191-K87	DBMU-9C4P-OL4-A191-K87	DBMX-9C4P-OL4-A191-K87	DBM-9C4P-OL4-A191-K87
DB	13W3	DBMT-13C3P-OL4-A191-K87	DBMQ-13C3P-OL4-A191-K87	DBMU-13C3P-OL4-A191-K87	DBMX-13C3P-OL4-A191-K87	DBM-13C3P-OL4-A191-K87
DB	17W2	DBMT-17C2P-OL4-A191-K87	DBMQ-17C2P-OL4-A191-K87	DBMU-17C2P-OL4-A191-K87	DBMX-17C2P-OL4-A191-K87	DBM-17C2P-OL4-A191-K87
DB	21W1	DBMT-21C1P-OL4-A191-K87	DBMQ-21C1P-OL4-A191-K87	DBMU-21C1P-OL4-A191-K87	DBMX-21C1P-OL4-A191-K87	DBM-21C1P-OL4-A191-K87
DC	8W8	DCMT-8C8P-OL4-A191-K87	DCMQ-8C8P-OL4-A191-K87	DCMU-8C8P-OL4-A191-K87	DCMX-8C8P-OL4-A191-K87	DCM-8C8P-OL4-A191-K87
DC	13W6	DCMT-13C6P-OL4-A191-K87	DCMQ-13C6P-OL4-A191-K87	DCMU-13C6P-OL4-A191-K87	DCMX-13C6P-OL4-A191-K87	DCM-13C6P-OL4-A191-K87
DC	17W5	DCMT-17C5P-OL4-A191-K87	DCMQ-17C5P-OL4-A191-K87	DCMU-17C5P-OL4-A191-K87	DCMX-17C5P-OL4-A191-K87	DCM-17C5P-OL4-A191-K87
DC	21WA4	DCMT-21CA4P-OL4-A191-K87	DCMQ-21CA4P-OL4-A191-K87	DCMU-21CA4P-OL4-A191-K87	DCMX-21CA4P-OL4-A191-K87	DCM-21CA4P-OL4-A191-K87
DC	25W3	DCMT-25C3P-OL4-A191-K87	DCMQ-25C3P-OL4-A191-K87	DCMU-25C3P-OL4-A191-K87	DCMX-25C3P-OL4-A191-K87	DCM-25C3P-OL4-A191-K87
DC	27W2	DCMT-27C2P-OL4-A191-K87	DCMQ-27C2P-OL4-A191-K87	DCMU-27C2P-OL4-A191-K87	DCMX-27C2P-OL4-A191-K87	DCM-27C2P-OL4-A191-K87
DD	24W7	DDMT-24C7P-OL4-A191-K87	DDMQ-24C7P-OL4-A191-K87	DDMU-24C7P-OL4-A191-K87	DDMX-24C7P-OL4-A191-K87	DDM-24C7P-OL4-A191-K87
DD	36W4	DDMT-36C4P-OL4-A191-K87	DDMQ-36C4P-OL4-A191-K87	DDMU-36C4P-OL4-A191-K87	DDMX-36C4P-OL4-A191-K87	DDM-36C4P-OL4-A191-K87
DD	43W2	DDMT-43C2P-OL4-A191-K87	DDMQ-43C2P-OL4-A191-K87	DDMU-43C2P-OL4-A191-K87	DDMX-43C2P-OL4-A191-K87	DDM-43C2P-OL4-A191-K87
DD	47W1	DDMT-47C1P-OL4-A191-K87	DDMQ-47C1P-OL4-A191-K87	DDMU-47C1P-OL4-A191-K87	DDMX-47C1P-OL4-A191-K87	DDM-47C1P-OL4-A191-K87

For performance class 1 replace A191 with A190.
For Performance class 3 delete A191.

For 50 ohm coaxial replace C with X, Example:
DCM-13C6P-A191-K87-146 becomes
DCM-13X6P-A191-K87-146.

For 3,0 mm pushfit please add -146 modifier;
For 3,2 mm pushfit please add -162 modifier.

Plug



- For contact cavity arrangements, see page 61.
- For pcb hole pattern, see pages 76-78.
- For mounting methods, see pages 59-60.

Dimensions

Shell size	A ± 0,38 (.015)	B ± 0,13 (.005)	C ± 0,13 (.005)	D ± 0,13 (.005)	E ± 0,38 (.015)	F ± 0,25 (.010)	L ± 0,2 (.008)	W ± 0,41 (.016)
DE	30,8 (1.213)	16,9 (.665)	25 (.984)	8,35 (.329)	12,55 (.494)	10,70 (.421)	0,8 (.031)	6,7 (.264)
DA	39,15 (1.541)	25,25 (.994)	33,3 (1.311)	8,35 (.329)	12,55 (.494)	10,70 (.421)	0,8 (.031)	6,7 (.264)
DB	53,05 (2.089)	38,95 (1.533)	47,05 (1.852)	8,35 (.329)	12,55 (.494)	10,80 (.425)	0,8 (.031)	6,8 (.268)
DC	69,3 (2.089)	55,4 (2.181)	63,50 (2.500)	8,35 (.329)	12,55 (.494)	10,80 (.425)	0,9 (.035)	6,8 (.268)
DD	66,95 (2.636)	52,8 (2.079)	61,11 (2.406)	11,1 (.437)	15,4 (.606)	10,80 (.425)	0,9 (.035)	6,85 (.270)



Dimensions shown in mm
Specifications and dimensions subject to change

www.ittcannon.com

Coaxial straight- European solder socket, sizes DE – DD

75 Ohm* coax inserted with straight contacts

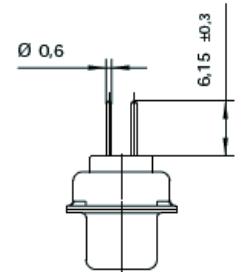
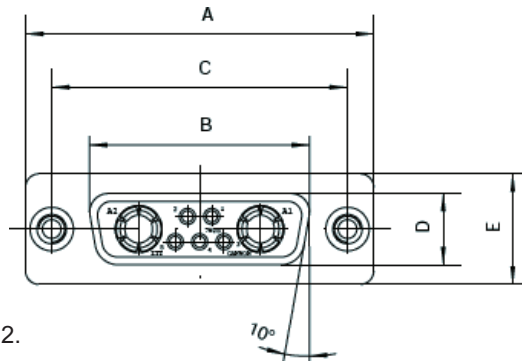
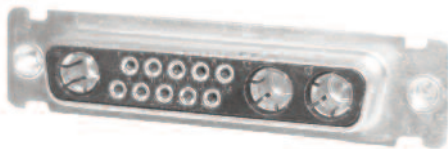
Shell	Layout	with standoff M3 pushfit	with standoff M3 with pushfit	standoff, M3 post and	with M3 clinch nut	with through hole 3,05 mm
DE	2W2	DEMT-2C2S-OL4-A191-A197	DEMQ-2C2S-OL4-A191-A197	DEMU-2C2S-OL4-A191-A197	DEMX-2C2S-OL4-A191-A197	DEM-2C2S-OL4-A191-A197
DE	2WK2	DEMT-2CK2S-OL4-A191-A197	DEMQ-2CK2S-OL4-A191-A197	DEMU-2CK2S-OL4-A191-A197	DEMX-2CK2S-OL4-A191-A197	DEM-2CK2S-OL4-A191-A197
DE	5W1	DEMT-5C1S-OL4-A191-A197	DEMQ-5C1S-OL4-A191-A197	DEMU-5C1S-OL4-A191-A197	DEMX-5C1S-OL4-A191-A197	DEM-5C1S-OL4-A191-A197
DA	7W2	DAMT-7C2S-OL4-A191-A197	DAMQ-7C2S-OL4-A191-A197	DAMU-7C2S-OL4-A191-A197	DAMX-7C2S-OL4-A191-A197	DAM-7C2S-OL4-A191-A197
DA	11W1	DAMT-11C1S-OL4-A191-A197	DAMQ-11C1S-OL4-A191-A197	DAMU-11C1S-OL4-A191-A197	DAMX-11C1S-OL4-A191-A197	DAM-11C1S-OL4-A191-A197
DA	3W3	DAMT-3C3S-OL4-A191-A197	DAMQ-3C3S-OL4-A191-A197	DAMU-3C3S-OL4-A191-A197	DAMX-3C3S-OL4-A191-A197	DAM-3C3S-OL4-A191-A197
DA	3WK3	DAMT-3CK3S-OL4-A191-A197	DAMQ-3CK3S-OL4-A191-A197	DAMU-3CK3S-OL4-A191-A197	DAMX-3CK3S-OL4-A191-A197	DAM-3CK3S-OL4-A191-A197
DB	5W5	DBMT-5C5S-OL4-A191-A197	DBMQ-5C5S-OL4-A191-A197	DBMU-5C5S-OL4-A191-A197	DBMX-5C5S-OL4-A191-A197	DBM-5C5S-OL4-A191-A197
DB	9W4	DBMT-9C4S-OL4-A191-A197	DBMQ-9C4S-OL4-A191-A197	DBMU-9C4S-OL4-A191-A197	DBMX-9C4S-OL4-A191-A197	DBM-9C4S-OL4-A191-A197
DB	13W3	DBMT-13C3S-OL4-A191-A197	DBMQ-13C3S-OL4-A191-A197	DBMU-13C3S-OL4-A191-A197	DBMX-13C3S-OL4-A191-A197	DBM-13C3S-OL4-A191-A197
DB	17W2	DBMT-17C2S-OL4-A191-A197	DBMQ-17C2S-OL4-A191-A197	DBMU-17C2S-OL4-A191-A197	DBMX-17C2S-OL4-A191-A197	DBM-17C2S-OL4-A191-A197
DB	21W1	DBMT-21C1S-OL4-A191-A197	DBMQ-21C1S-OL4-A191-A197	DBMU-21C1S-OL4-A191-A197	DBMX-21C1S-OL4-A191-A197	DBM-21C1S-OL4-A191-A197
DC	8W8	DCMT-8C8S-OL4-A191-A197	DCMQ-8C8S-OL4-A191-A197	DCMU-8C8S-OL4-A191-A197	DCMX-8C8S-OL4-A191-A197	DCM-8C8S-OL4-A191-A197
DC	13W6	DCMT-13C6S-OL4-A191-A197	DCMQ-13C6S-OL4-A191-A197	DCMU-13C6S-OL4-A191-A197	DCMX-13C6S-OL4-A191-A197	DCM-13C6S-OL4-A191-A197
DC	17W5	DCMT-17C5S-OL4-A191-A197	DCMQ-17C5S-OL4-A191-A197	DCMU-17C5S-OL4-A191-A197	DCMX-17C5S-OL4-A191-A197	DCM-17C5S-OL4-A191-A197
DC	21WA4	DCMT-21CA4S-OL4-A191-A197	DCMQ-21CA4S-OL4-A191-A197	DCMU-21CA4S-OL4-A191-A197	DCMX-21CA4S-OL4-A191-A197	DCM-21CA4S-OL4-A191-A197
DC	25W3	DCMT-25C3S-OL4-A191-A197	DCMQ-25C3S-OL4-A191-A197	DCMU-25C3S-OL4-A191-A197	DCMX-25C3S-OL4-A191-A197	DCM-25C3S-OL4-A191-A197
DC	27W2	DCMT-27C2S-OL4-A191-A197	DCMQ-27C2S-OL4-A191-A197	DCMU-27C2S-OL4-A191-A197	DCMX-27C2S-OL4-A191-A197	DCM-27C2S-OL4-A191-A197
DD	24W7	DDMT-24C7S-OL4-A191-A197	DDMQ-24C7S-OL4-A191-A197	DDMU-24C7S-OL4-A191-A197	DDMX-24C7S-OL4-A191-A197	DDM-24C7S-OL4-A191-A197
DD	36W4	DDMT-36C4S-OL4-A191-A197	DDMQ-36C4S-OL4-A191-A197	DDMU-36C4S-OL4-A191-A197	DDMX-36C4S-OL4-A191-A197	DDM-36C4S-OL4-A191-A197
DD	43W2	DDMT-43C2S-OL4-A191-A197	DDMQ-43C2S-OL4-A191-A197	DDMU-43C2S-OL4-A191-A197	DDMX-43C2S-OL4-A191-A197	DDM-43C2S-OL4-A191-A197
DD	47W1	DDMT-47C1S-OL4-A191-A197	DDMQ-47C1S-OL4-A191-A197	DDMU-47C1S-OL4-A191-A197	DDMX-47C1S-OL4-A191-A197	DDM-47C1S-OL4-A191-A197

For performance class 1 replace A191 with A190.
For Performance class 3 delete A191.

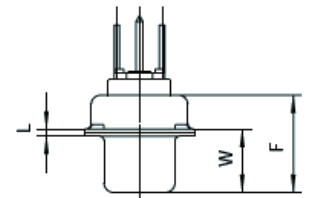
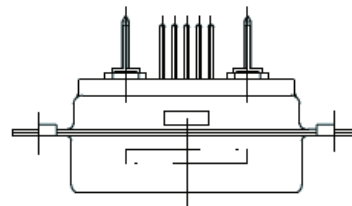
For 50 ohm coaxial replace C with X, Example:
DCM-13C6S-A191-A197-146 becomes
DCM-13X6S-A191-A197-146.

For 3,0 mm pushfit please add -142 modifier;
For 3,2 mm pushfit please add -162 modifier.

Receptacle



- For contact cavity arrangements, see page 62.
- For pcb hole pattern, see pages 79-81.
- For mounting methods, see pages 59-60.



Dimensions

Shell size	A ± 0,38 (.015)	B ± 0,13 (.005)	C ± 0,13 (.005)	D ± 0,13 (.005)	E ± 0,38 (.015)	F ± 0,25 (.010)	L ± 0,2 (.008)	W ± 0,41 (.016)
DE	30,8 (1.213)	16,35 (.644)	25 (.984)	7,9 (.311)	12,55 (.494)	10,90 (.429)	0,8 (.031)	6,95 (.274)
DA	39,15 (1.541)	24,65 (.970)	33,3 (1.311)	7,9 (.311)	12,55 (.494)	10,90 (.429)	0,8 (.031)	6,95 (.274)
DB	53,05 (2.089)	38,4 (1.512)	47,05 (1.852)	7,9 (.311)	12,55 (.494)	10,90 (.429)	0,8 (.031)	6,95 (.274)
DC	69,3 (2.089)	55,85 (2.159)	63,50 (2.500)	7,9 (.311)	12,55 (.494)	10,90 (.429)	0,8 (.031)	6,95 (.274)
DD	66,95 (2.636)	52,4 (2.063)	61,11 (2.406)	10,75 (.423)	15,4 (.606)	10,90 (.429)	0,8 (.031)	6,95 (.274)

Dimensions shown in mm
Specifications and dimensions subject to change

www.ittcannon.com

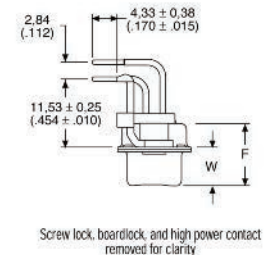
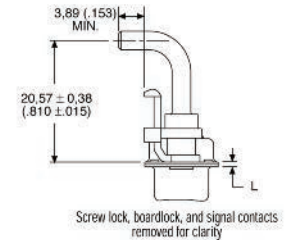
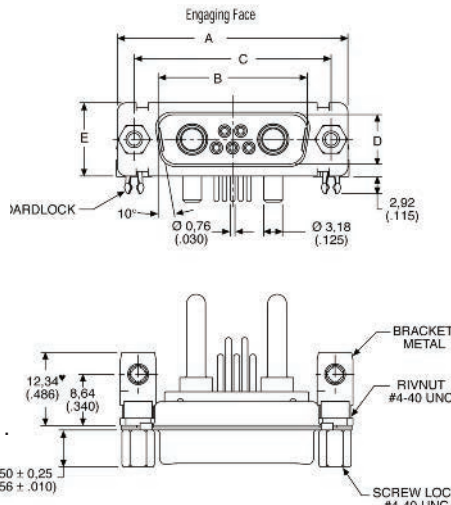
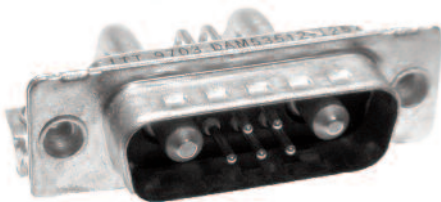


40 A High power 90° PCB Plug, sizes DE – DC, with metal bracket

Shell size	Layout	INDUSTRIAL – US 40 A High power inserted with US footprint metal bracket and UNC 4-40 captive nut		INDUSTRIAL – EU 40 A High power inserted with EU footprint metal bracket and UNC 4-40 captive nut		MILITARY/HI-REL – US 40 A High power inserted with US footprint metal bracket and UNC 4-40 screw lock		NON-MAGNETIC/LOW OUTGASSING – US* 40 A High power inserted with US footprint metal bracket and UNC 4-40 screw lock	
		P/N without boardlock	P/N with boardlock	P/N without boardlock	P/N with boardlock	P/N without boardlock	P/N with boardlock	P/N with Cadmium Plating	P/N with Gold Plating
DE	2W2	DEMP2H2P-JK87	DEMC2H2P-JK87	DEMP2P2P-VK87	DEMC2PK2P-VK87	DEMMP2H2P-J	DEMCC2H2P-J	DEM2H2P-JNMB	DEM2H2P-JNMBK52
DE	2WK2	DEMP2HK2P-JK87	DEMC2HK2P-JK87	DEMP2PK2P-VK87	DEMC2PK2P-VK87	DEMMP2HK2P-J	DEMCC2HK2P-J	DEM2HK2P-JNMB	DEM2HK2P-JNMBK52
DE	5W1	DEMP5H1P-JK87	DEMC5H1P-JK87	DEMP5P1P-VK87	DEMC5P1P-VK87	DEMMP5H1P-J	DEMCC5H1P-J	DEM5H1P-JNMB	DEM5H1P-JNMBK52
DA	7W2	DAMP7H2P-JK87	DAMC7H2P-JK87	DAMP7P2P-VK87	DAMC7P2P-VK87	DAMMP7H2P-J	DAMMC7H2P-J	DAM7H2P-JNMB	DAM7H2P-JNMBK52
DA	11W1	DAMP11H1P-JK87	DAMC11H1P-JK87	DAMP11P1P-VK87	DAMC11P1P-VK87	DAMMP11H1P-J	DAMMC11H1P-J	DAM11H1P-JNMB	DAM11H1P-JNMBK52
DA	3W3	DAMP3H3P-JK87	DAMC3H3P-JK87	DAMP3P3P-VK87	DAMC3P3P-VK87	DAMMP3H3P-J	DAMMC3H3P-J	DAM3H3P-JNMB	DAM3H3P-JNMBK52
DA	3WK3	DAMP3HK3P-JK87	DAMC3HK3P-JK87	DAMP3PK3P-VK87	DAMC3PK3P-VK87	DAMMP3HK3P-J	DAMMC3HK3P-J	DAM3HK3P-JNMB	DAM3HK3P-JNMBK52
DB	5W5	DBMP5H5P-JK87	DBMC5H5P-JK87	DBMP5P5P-VK87	DBMC5P5P-VK87	DBMMP5H5P-J	DBMMC5H5P-J	DBM5H5P-JNMB	DBM5H5P-JNMBK52
DB	9W4	DBMP9H4P-JK87	DBMC9H4P-JK87	DBMP9P4P-VK87	DBMC9P4P-VK87	DBMMP9H4P-J	DBMMC9H4P-J	DBM9H4P-JNMB	DBM9H4P-JNMBK52
DB	13W3	DBMP13H3P-JK87	DBMC13H3P-JK87	DBMP13P3P-VK87	DBMC13P3P-VK87	DBMMP13H3P-J	DBMMC13H3P-J	DBM13H3P-JNMB	DBM13H3P-JNMBK52
DB	17W2	DBMP17H2P-JK87	DBMC17H2P-JK87	DBMP17P2P-VK87	DBMC17P2P-VK87	DBMMP17H2P-J	DBMMC17H2P-J	DBM17H2P-JNMB	DBM17H2P-JNMBK52
DB	21W1	DBMP21H1P-JK87	DBMC21H1P-JK87	DBMP21P1P-VK87	DBMC21P1P-VK87	DBMMP21H1P-J	DBMMC21H1P-J	DBM21H1P-JNMB	DBM21H1P-JNMBK52
DC	8W8	DCMP8H8P-JK87	DCMC8H8P-JK87	DCMP8P8P-VK87	DCMC8P8P-VK87	DCMMP8H8P-J	DCMMC8H8P-J	DCM8H8P-JNMB	DCM8H8P-JNMBK52
DC	13W6	DCMP13H6P-JK87	DCMC13H6P-JK87	DCMP13P6P-VK87	DCMC13P6P-VK87	DCMMP13H6P-J	DCMMC13H6P-J	DCM13H6P-JNMB	DCM13H6P-JNMBK52
DC	17W5	DCMP17H5P-JK87	DCMC17H5P-JK87	DCMP17P5P-VK87	DCMC17P5P-VK87	DCMMP17H5P-J	DCMMC17H5P-J	DCM17H5P-JNMB	DCM17H5P-JNMBK52
DC	21WA4	DCMP21HA4P-JK87	DCMC21HA4P-JK87	DCMP21PA4P-VK87	DCMC21PA4P-VK87	DCMMP21HA4P-J	DCMMC21HA4P-J	DCM21HA4P-JNMB	DCM21HA4P-JNMBK52
DC	25W3	DCMP25H3P-JK87	DCMC25H3P-VK87	DCMP25P3P-VK87	DCMC25P3P-VK87	DCMMP25H3P-J	DCMMC25H3P-J	DCM25H3P-JNMB	DCM25H3P-JNMBK52
DC	27W2	DCMP27H2P-JK87	DCMC27H2P-JK87	DCMP27P2P-VK87	DCMC27P2P-VK87	DCMMP27H2P-J	DCMMC27H2P-J	DCM27H2P-JNMB	DCM27H2P-JNMBK52

* Hardware Modifier not allowed with Non Magnetic/ Low Outgassing Combo-D-; contact factory for more information

Plug



- For contact cavity arrangements, see page 61.
- For pcb hole pattern, see pages 82-84.
- For mounting methods, see pages 59-60.

US version shown – for EU version, please see readers resource section, page 92-93.

Dimensions

Shell size	A ± 0,38 (.015)	B ± 0,13 (.005)	C ± 0,13 (.005)	D ± 0,13 (.005)	E ± 0,38 (.015)	F ± 0,25 (.010)	W ± 0,368 (.0145)	W ± 0,41 (.016)	L ± 0,25 (.010)
DE	30,81 (1.213)	16,92 (.665)	24,99 (.984)	8,36 (.329)	12,55 (.494)	10,72 (.422)	6,693 (.2635)	—	0,76 (.030)
DA	39,14 (1.541)	25,25 (.994)	33,32 (1.312)	8,36 (.329)	12,55 (.494)	10,72 (.422)	6,693 (.2635)	—	0,76 (.030)
DB	53,04 (2.088)	38,96 (1.534)	47,04 (1.852)	8,36 (.329)	12,55 (.494)	10,82 (.426)	—	6,84 (.269)	0,99 (.039)
DC	69,32 (2.729)	55,42 (2.182)	63,50 (2.500)	8,36 (.329)	12,55 (.494)	10,82 (.426)	—	6,84 (.269)	0,99 (.039)



Dimensions shown in mm
Specifications and dimensions subject to change

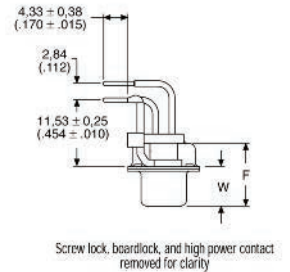
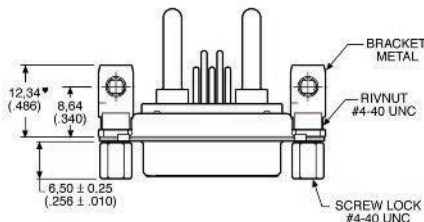
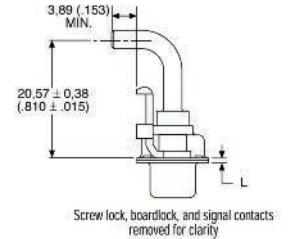
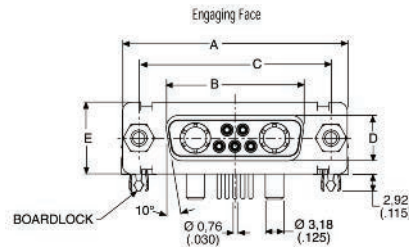
www.ittcannon.com

40 A High power 90° PCB Receptacle, sizes DE – DC, with metal bracket

Shell size	Layout	INDUSTRIAL – US 40 A High power inserted with US footprint metal bracket and UNC 4-40 captive nut		INDUSTRIAL – EU 40 A High power inserted with EU footprint metal bracket and UNC 4-40 captive nut		MILITARY/HI-REL – US 40 A High power inserted with US footprint metal bracket and UNC 4-40 captive nut		NON-MAGNETIC/LOW OUTGASSING – US* 40 A High power inserted with US footprint metal bracket and UNC 4-40 screw lock	
		P/N without Boardlock	P/N with Boardlock	P/N without Boardlock	P/N with Boardlock	P/N without Boardlock	P/N with Boardlock	P/N with Cadmium Plating	P/N with Gold Plating
DE	2W2	DEMP2H2S-VA197	DEMC2H2S-VA197	DEMP2P2S-JA197	DEMC2P2S-JA197	DEMMP2H2S-V	DEMMC2H2S-V	DEM2H2S-VNMB	DEM2H2S-VNMBK52
DE	2WK2	DEMP2HK2S-VA197	DEMC2HK2S-VA197	DEMP2PK2S-JA197	DEMC2PK2S-JA197	DEMMP2HK2S-V	DEMMC2HK2S-V	DEM2HK2S-VNMB	DEM2HK2S-VNMBK52
DE	5W1	DEMP5H1S-VA197	DEMC5H1S-VA197	DEMP5P1S-JA197	DEMC5P1S-JA197	DEMMP5H1S-V	DEMMC5H1S-V	DEM5H1S-VNMB	DEM5H1S-VNMBK52
DA	7W2	DAMP7H2S-VA197	DAMC7H2S-VA197	DAMP7P2S-JA197	DAMC7P2S-JA197	DAMMP7H2S-V	DAMMC7H2S-V	DAM7H2S-VNMB	DAM7H2S-VNMBK52
DA	11W1	DAMP11H1S-VA197	DAMC11H1S-VA197	DAMP11P1S-JA197	DAMC11P1S-JA197	DAMMP11H1S-V	DAMMC11H1S-V	DAM11H1S-VNMB	DAM11H1S-VNMBK52
DA	3W3	DAMP3H3S-VA197	DAMC3H3S-VA197	DAMP3P3S-JA197	DAMC3P3S-JA197	DAMMP3H3S-V	DAMMC3H3S-V	DAM3H3S-VNMB	DAM3H3S-VNMBK52
DA	3WK3	DAMP3HK3S-VA197	DAMC3HK3S-VA197	DAMP3PK3S-JA197	DAMC3PK3S-JA197	DAMMP3HK3S-V	DAMMC3HK3S-V	DAM3HK3S-VNMB	DAM3HK3S-VNMBK52
DB	5W5	DBMP5H5S-VA197	DBMC5H5S-VA197	DBMP5P5S-JA197	DBMC5P5S-JA197	DBMMP5H5S-V	DBMMC5H5S-V	DBM5H5S-VNMB	DBM5H5S-VNMBK52
DB	9W4	DBMP9H4S-VA197	DBMC9H4S-VA197	DBMP9P4S-JA197	DBMC9P4S-JA197	DBMMP9H4S-V	DBMMC9H4S-V	DBM9H4S-VNMB	DBM9H4S-VNMBK52
DB	13W3	DBMP13H3S-VA197	DBMC13H3S-VA197	DBMP13P3S-JA197	DBMC13P3S-JA197	DBMMP13H3S-V	DBMMC13H3S-V	DBM13H3S-VNMB	DBM13H3S-VNMBK52
DB	17W2	DBMP17H2S-VA197	DBMC17H2S-VA197	DBMP17P2S-JA197	DBMC17P2S-JA197	DBMMP17H2S-V	DBMMC17H2S-V	DBM17H2S-VNMB	DBM17H2S-VNMBK52
DB	21W1	DBMP21H1S-VA197	DBMC21H1S-VA197	DBMP21P1S-JA197	DBMC21P1S-JA197	DBMMP21H1S-V	DBMMC21H1S-V	DBM21H1S-VNMB	DBM21H1S-VNMBK52
DC	8W8	DCMP8H8S-VA197	DCMC8H8S-VA197	DCMP8P8S-JA197	DCMC8P8S-JA197	DCMMP8H8S-V	DCMMC8H8S-V	DCM8H8S-VNMB	DCM8H8S-VNMBK52
DC	13W6	DCMP13H6S-VA197	DCMC13H6S-VA197	DCMP13P6S-JA197	DCMC13P6S-JA197	DCMMP13H6S-V	DCMMC13H6S-V	DCM13H6S-VNMB	DCM13H6S-VNMBK52
DC	17W5	DCMP17H5S-VA197	DCMC17H5S-VA197	DCMP17P5S-JA197	DCMC17P5S-JA197	DCMMP17H5S-V	DCMMC17H5S-V	DCM17H5S-VNMB	DCM17H5S-VNMBK52
DC	21WA4	DCMP21HA4S-VA197	DCMC21HA4S-VA197	DCMP21PA4S-JA197	DCMC21PA4S-JA197	DCMMP21HA4S-V	DCMMC21HA4S-V	DCM21HA4S-VNMB	DCMG21HA4S-VNMBK52
DC	25W3	DCMP25H3S-VA197	DCMC25H3S-VA197	DCMP25P3S-JA197	DCMC25P3S-JA197	DCMMP25H3S-V	DCMMC25H3S-V	DCM25H3S-VNMB	DCM25H3S-VNMBK52
DC	27W2	DCMP27H2S-VA197	DCMC27H2S-VA197	DCMP27P2S-JA197	DCMC27P2S-JA197	DCMMP27H2S-V	DCMMC27H2S-V	DCM27H2S-VNMB	DCM27H2S-VNMBK52

* Hardware Modifier not allowed with Non Magnetic/ Low Outgassing Combo-D; contact factory for more information

Receptacle



- For contact cavity arrangements, see page 61.
- For pcb hole pattern, see pages 85-87.
- For mounting methods, see pages 59-60.

US version shown – for EU version, please see readers resource section, page 94-95.

Dimensions

Shell size	A ± 0,38 (.015)	B ± 0,13 (.005)	C ± 0,13 (.005)	D ± 0,13 (.005)	E ± 0,38 (.015)	F ± 0,25 (.010)	W ± 0,38 (.015)	L ± 0,25 (.010)
DE	30,81 (1.213)	16,33 (.643)	24,99 (.984)	7,90 (.311)	12,55 (.494)	10,90 (.429)	6,94 (.273)	0,76 (.030)
DA	39,14 (1.541)	24,65 (.971)	33,32 (1.312)	7,90 (.311)	12,55 (.494)	10,90 (.429)	6,94 (.273)	0,76 (.030)
DB	53,04 (2.088)	38,38 (1.511)	47,04 (1.852)	7,90 (.311)	12,55 (.494)	10,90 (.429)	6,94 (.273)	0,76 (.030)
DC	69,32 (2.729)	54,84 (2.159)	63,50 (2.500)	7,90 (.311)	12,55 (.494)	10,90 (.429)	6,94 (.273)	0,76 (.030)

Dimensions shown in mm
Specifications and dimensions subject to change

www.ittcannon.com



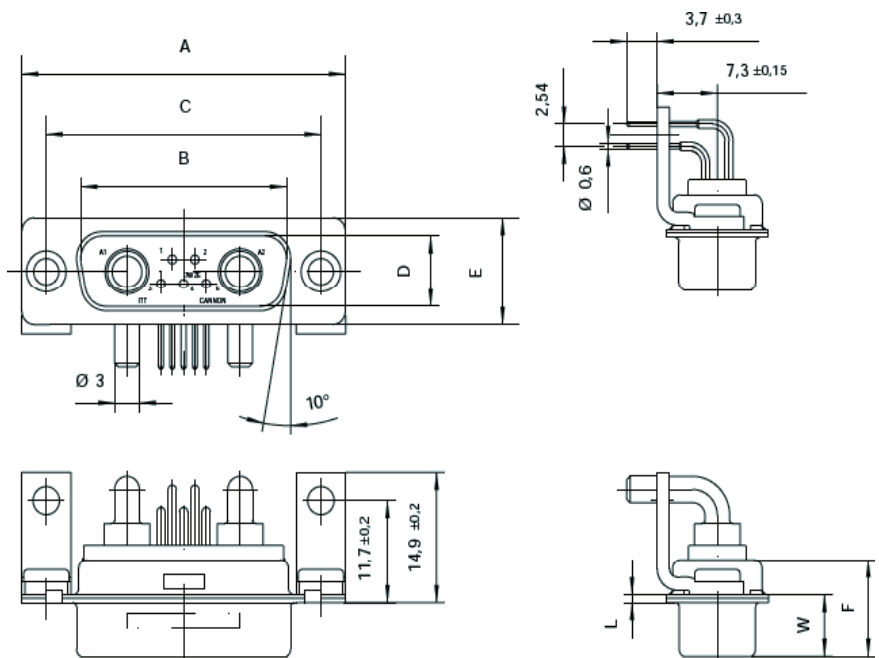
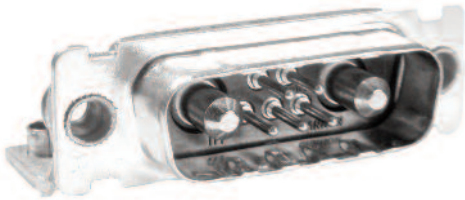
40 A High Power 90° PCB Plug- European footprint, sizes DE-DC, with bracket
 40 A High power inserted with US footprint
 metal bracket and UNC 4-40 captive nut

Part numbers with bracket and captive nut M3				Part numbers with bracket with dia. 3,05		Part numbers with bracket with post M3	
Shell size	Layout	Plastic Bracket	Metal Bracket	Plastic Bracket	Metal Bracket	Plastic Bracket	Metal Bracket
DE	2W2	DEM-2P2P-1ATN-A191-K87	DEM-2P2P-1A9N-A191-K87	DEM-2P2P-1A5N-A191-K87	DEM-2P2P-1AFN-A191-K87	DEM-2P2P-APN-A191-K87	DEM-SP2P-1AHN-A191-K87
DE	2WK2	DEM-2PK2P-1ATN-A191-K87	DEM-2PK2P-1A9N-A191-K87	DEM-2PK2P-1A5N-A191-K87	DEM-2PK2P-1AFN-A191-K87	DEM-2PK2P-APN-A191-K87	DEM-2PK2P-1AHN-A191-K87
DE	5W1	DEM-5P1P-1ATN-A191-K87	DEM-5P1P-1A9N-A191-K87	DEM-5P1P-1A5N-A191-K87	DEM-5P1P-1AFN-A191-K87	DEM-5P1P-APN-A191-K87	DEM-5P1P-1AHN-A191-K87
DA	7W2	DAM-7P2P-1ATN-A191-K87	DAM-7P2P-1A9N-A191-K87	DAM-7P2P-1A5N-A191-K87	DAM-7P2P-1AFN-A191-K87	DAM-7P2P-1APN-A191-K87	DAM-7P2P-1AHN-A191-K87
DA	11W1	DAM-11P1P-1ATN-A191-K87	DAM-11P1P-1A9N-A191-K87	DAM-11P1P-1A5N-A191-K87	DAM-11P1P-1AFN-A191-K87	DAM-11P1P-1APN-A191-K87	DAM-11P1P-1AHN-A191-K87
DA	3W3	DAM-3P3P-1ATN-A191-K87	DAM-3P3P-1A9N-A191-K87	DAM-3P3P-1A5N-A191-K87	DAM-3P3P-1AFN-A191-K87	DAM-3P3P-1APN-A191-K87	DAM-3P3P-1AHN-A191-K87
DA	3WK3	DAM-3PK3P-1ATN-A191-K87	DAM-3PK3P-1A9N-A191-K87	DAM-3PK3P-1A5N-A191-K87	DAM-3PK3P-1AFN-A191-K87	DAM-3PK3P-1APN-A191-K87	DAM-3PK3P-1AHN-A191-K87
DB	5W5	DBM-5P5P-1ATN-A191-K87	DBM-5P5P-1A9N-A191-K87	DBM-5P5P-1A5N-A191-K87	DBM-5P5P-1AFN-A191-K87	DBM-5P5P-1APN-A191-K87	DBM-5P5P-1AHN-A191-K87
DB	9W4	DBM-9P4P-1ATN-A191-K87	DBM-9P4P-1A9N-A191-K87	DBM-9P4P-1A5N-A191-K87	DBM-9P4P-1AFN-A191-K87	DBM-9P4P-1APN-A191-K87	DBM-9P4P-1AHN-A191-K87
DB	13W3	DBM-13P3P-1ATN-A191-K87	DBM-13P3P-1A9N-A191-K87	DBM-13P3P-1A5N-A191-K87	DBM-13P3P-1AFN-A191-K87	DBM-13P3P-1APN-A191-K87	DBM-13P3P-1AHN-A191-K87
DB	17W2	DBM-17PSP-1ATN-A191-K87	DBM-17PSP-1A9N-A191-K87	DBM-17PSP-1A5N-A191-K87	DBM-17PSP-1AFN-A191-K87	DBM-17PSP-1APN-A191-K87	DBM-17PSP-1AHN-A191-K87
DB	21W1	DBM-21P1P-1ATN-A191-K87	DBM-21P1P-1A9N-A191-K87	DBM-21P1P-1A5N-A191-K87	DBM-21P1P-1AFN-A191-K87	DBM-21P1P-1APN-A191-K87	DBM-21P1P-1AHN-A191-K87
DC	8W8	DCM-8P8P-1ATN-A191-K87	DCM-8P8P-1A9N-A191-K87	DCM-8P8P-1A5N-A191-K87	DCM-8P8P-1AFN-A191-K87	DCM-8P8P-1APN-A191-K87	DCM-8P8P-1AHN-A191-K87
DC	13W6	DCM-13P6P-1ATN-A191-K87	DCM-13P6P-1A9N-A191-K87	DCM-13P6P-1A5N-A191-K87	DCM-13P6P-1AFN-A191-K87	DCM-13P6P-1APN-A191-K87	DCM-13P6P-1AHN-A191-K87
DC	17W5	DCM-17P5P-1ATN-A191-K87	DCM-17P5P-1A9N-A191-K87	DCM-17P5P-1A5N-A191-K87	DCM-17P5P-1AFN-A191-K87	DCM-17P5P-1APN-A191-K87	DCM-17P5P-1AHN-A191-K87
DC	21WA4	DCM-21PA4P-1ATN-A191-K87	DCM-21PA4P-1A9N-A191-K87	DCM-21PA4P-1A5N-A191-K87	DCM-21PA4P-1AFN-A191-K87	DCM-21PA4S-1APN-A191-K87	DCM-21PA4P-1AHN-A191-K87
DC	25W3	DCM-25P3P-1ATN-A191-K87	DCM-25P3P-1A9N-A191-K87	DCM-25P3P-1A5N-A191-K87	DCM-25P3P-1AFN-A191-K87	DCM-25P3P-1APN-A191-K87	DCM-25P3P-1AHN-A191-K87
DC	27W2	DCM-27P2P-1ATN-A191-K87	DCM-27P2P-1A9N-A191-K87	DCM-27P2P-1A5N-A191-K87	DCM-27P2P-1AFN-A191-K87	DCM-27P2P-1APN-A191-K87	DCM-27P2P-1AHN-A191-K87

For performance class 1 replace A191 with A190.
 For performance class 3 delete A191.

For 3,0 mm pushfit please add -146 modifier;
 For 3,2 mm pushfit please add -162 modifier.

Plug



- For contact cavity arrangements, see page 61.
- For pcb hole pattern, see pages 88-89.
- For mounting methods, see pages 59-60.

Dimensions

Shell size	A ± 0,38 (.015)	B ± 0,13 (.005)	C ± 0,13 (.005)	D ± 0,13 (.005)	E ± 0,38 (.015)	F ± 0,25 (.010)	L ± 0,2 (.008)	W ± 0,40 (.016)
DE	30,8 (1.213)	16,90 (.665)	25,0 (.984)	8,35 (.329)	12,55 (.494)	10,70 (.421)	0,8 (.031)	6,70 (.264)
DA	39,15 (1.541)	24,25 (.994)	33,3 (1.311)	8,35 (.329)	12,55 (.494)	10,70 (.421)	0,8 (.031)	6,70 (.264)
DB	53,05 (2.089)	38,95 (1.533)	47,05 (1.852)	8,35 (.329)	12,55 (.494)	10,80 (.425)	0,8 (.031)	6,80 (.268)
DC	69,3 (2.089)	55,4 (2.181)	63,50 (2.500)	8,35 (.329)	12,55 (.494)	10,80 (.425)	0,8 (.031)	6,80 (.268)

Dimensions shown in mm
 Specifications and dimensions subject to change

www.ittcannon.com



40 A High power 90° Receptacle, European footprint, sizes DE-DC, with bracket

40 A High power inserted with US footprint metal bracket and UNC 4-40 captive nut

Shell size	Part numbers with bracket and captive nut M3		Part numbers with bracket with dia. 3,05		Part numbers with bracket with post M3		
	Layout	Metal Bracket	Plastic Bracket	Metal Bracket	Plastic Bracket	Metal Bracket	Plastic Bracket
DE	2W2	DEM-2P2S-1A9N-A191-A197	DEM-2P2S-1ATN-A191-A197	DEM-2P2-1AFN-A191-A197	DEM-2P2S-1A5N-A191-A197	DEM-2P2S-1AHN-A191-A197	DEM-2P2S-1APN-A191-A197
DE	2WK2	DEM-2PK2S-1A9N-A191-A197	DEM-2PK2S-1ATN-A191-A197	DEM-2PK2-1AFN-A191-A197	DEM-2PK2S-1A5N-A191-A197	DEM-2PK2S-1AHN-A191-A197	DEM-2PK2S-1APN-A191-A197
DE	5W1	DEM-5P1S-1A9N-A191-A197	DEM-5P1S-1ATN-A191-A197	DEM-5P1S-1AFN-A191-A197	DEM-5P1S-1A5N-A191-A197	DEM-5P1S-1AHN-A191-A197	DEM-5P1S-1APN-A191-A197
DA	7W2	DAM-7P2S-1A9N-A191-A197	DAM-7P2S-1ATN-A191-A197	DAM-7P2S-1AFN-A191-A197	DAM-7P2S-1A5N-A191-A197	DAM-7P2S-1AHN-A191-A197	DAM-7P2S-1APN-A191-A197
DA	11W1	DAM-11P1S-1A9N-A191-A197	DAM-11P1S-1ATN-A191-A197	DAM-11P1S-1AFN-A191-A197	DAM-11P1S-1A5N-A191-A197	DAM-11P1S-1AHN-A191-A197	DAM-11P1S-1APN-A191-A197
DA	3W3	DAM-3P3S-1A9N-A191-A197	DAM-3P3S-1ATN-A191-A197	DAM-3P3S-1AFN-A191-A197	DAM-11P1S-1A5N-A191-A197	DAM-3P3S-1AHN-A191-A197	DAM-3P3S-1APN-A191-A197
DA	3WK3	DAM-3PK3S-1A9N-A191-A197	DAM-3PK3S-1ATN-A191-A197	DAM-3PK3S-1AFN-A191-A197	DAM-3PK3S-1A5N-A191-A197	DAM-3PK3S-1AHN-A191-A197	DAM-3PK3S-1APN-A191-A197
DB	5W5	DBM-5P5S-1A9N-A191-A197	DBM-5P5S-1ATN-A191-A197	DBM-5P5S-1AFN-A191-A197	DBM-5P5S-1A5N-A191-A197	DBM-5P5S-1AHN-A191-A197	DBM-5P5S-1APN-A191-A197
DB	9W4	DBM-9P4S-1A9N-A191-A197	DBM-9P4S-1ATN-A191-A197	DBM-9P4S-1AFN-A191-A197	DBM-9P4S-1A5N-A191-A197	DBM-9P4S-1AHN-A191-A197	DBM-9P4S-1APN-A191-A197
DB	13W3	DBM-13P3S-1A9N-A191-A197	DBM-13P3S-1ATN-A191-A197	DBM-13P3S-1AFN-A191-A197	DBM-13P3S-1A5N-A191-A197	DBM-13P3S-1AHN-A191-A197	DBM-13P3S-1APN-A191-A197
DB	17W2	DBM-17P2S-1A9N-A191-A197	DBM-17P2S-1ATN-A191-A197	DBM-17P2S-1AFN-A191-A197	DBM-17P2S-1A5N-A191-A197	DBM-17P2S-1AHN-A191-A197	DBM-17P2S-1APN-A191-A197
DB	21W1	DBM-21P1S-1A9N-A191-A197	DBM-21P1S-1ATN-A191-A197	DBM-21P1S-1AFN-A191-A197	DBM-21P1S-1A5N-A191-A197	DBM-21P1S-1AHN-A191-A197	DBM-21P1S-1APN-A191-A197
DC	8W8	DCM-8P8S-1A9N-A191-A197	DCM-8P8S-1ATN-A191-A197	DCM-8P8S-1AFN-A191-A197	DCM-8P8S-1A5N-A191-A197	DCM-8P8S-1AHN-A191-A197	DCM-8P8S-1APN-A191-A197
DC	13W6	DCM-13P6S-1A9N-A191-A197	DCM-13P6S-1ATN-A191-A197	DCM-13P6S-1AFN-A191-A197	DCM-13P6S-1A5N-A191-A197	DCM-13P6S-1AHN-A191-A197	DCM-13P6S-1APN-A191-A197
DC	17W5	DCM-17P5S-1A9N-A191-A197	DCM-17P5S-1ATN-A191-A197	DCM-17P5S-1AFN-A191-A197	DCM-17P5S-1A5N-A191-A197	DCM-17P5S-1AHN-A191-A197	DCM-17P5S-1APN-A191-A197
DC	21WA4	DCM-21PA4S-1A9N-A191-A197	DCM-21PA4S-1ATN-A191-A197	DCM-21PA4S-1AFN-A191-A197	DCM-21PA4S-1A5N-A191-A197	DCM-21PA4S-1AHN-A191-A197	DCM-21PA4S-1APN-A191-A197
DC	25W3	DCM-25P3S-1A9N-A191-A197	DCM-25P3S-1ATN-A191-A197	DCM-25P3S-1AFN-A191-A197	DCM-25P3S-1A5N-A191-A197	DCM-25P3S-1AHN-A191-A197	DCM-25P3S-1APN-A191-A197
DC	27W2	DCM-27P2S-1A9N-A191-A197	DCM-27P2S-1ATN-A191-A197	DCM-27P2S-1AFN-A191-A197	DCM-27P2S-1A5N-A191-A197	DCM-27P2S-1AHN-A191-A197	DCM-27P2S-1APN-A191-A197

For pushfit add -146 modifier.

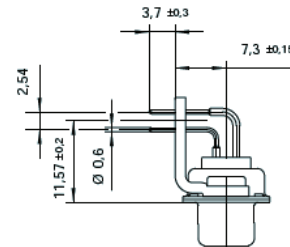
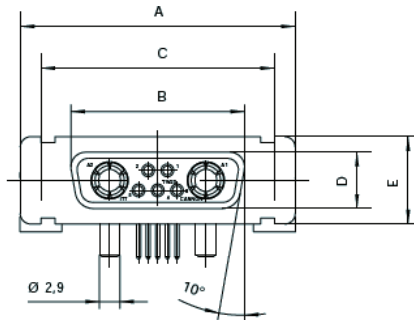
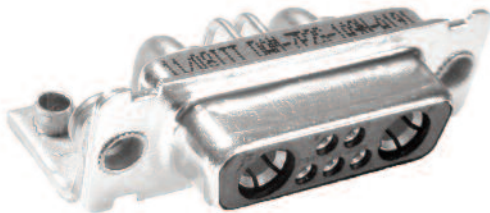
For performance class 1 replace A191 with A190.

For performance class 3 delete A191.

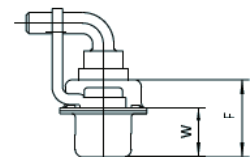
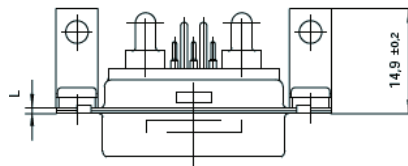
For captive nut 4-40 UNC thread replace 1A9N with 1A7N and 1AHN with 1A8N.

For pushfit 90° pcb hole diameter 3,2 mm replace 146 with 162.

Receptacle



- For contact cavity arrangements, see page 62.
- For pcb hole pattern, see pages 90-91.
- For mounting methods, see pages 59-60.



Dimensions

Shell size	A ± 0,38 (.015)	B ± 0,13 (.005)	C ± 0,13 (.005)	D ± 0,13 (.005)	E ± 0,38 (.015)	F ± 0,25 (.010)	L ± 0,2 (.008)	W ± 0,40 (.016)
DE	30,8 (1.213)	16,35 (.644)	25,0 (.984)	7,9 (.311)	12,55 (.494)	10,90 (.429)	0,8 (.031)	6,95 (.274)
DA	39,15 (1.541)	24,65 (.970)	33,3 (1.311)	7,9 (.311)	12,55 (.494)	10,90 (.429)	0,8 (.031)	6,95 (.274)
DB	53,05 (2.089)	38,4 (1.512)	47,05 (1.852)	7,9 (.311)	12,55 (.494)	10,90 (.429)	0,8 (.031)	6,95 (.274)
DC	69,3 (2.089)	54,85 (2.159)	63,50 (2.500)	7,9 (.311)	12,55 (.494)	10,90 (.429)	0,8 (.031)	6,95 (.274)

Dimensions shown in mm

Specifications and dimensions subject to change

www.ittcannon.com



40 A High power straight PCB Plug, sizes DE – DC

40 A High power inserted with straight contacts and standoff with UNC 4-40 thread

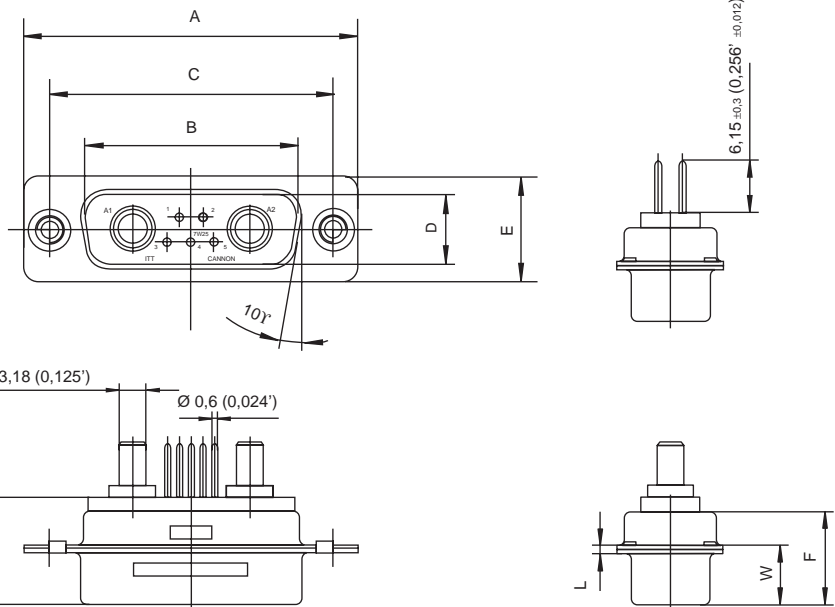
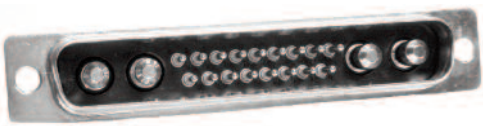
Shell size	Layout	INDUSTRIAL		MILITARY/HI-REL		NON-MAGNETIC*/LOW OUTGASSING**	
		P/N without Boardlock	P/N with Boardlock	P/N without Boardlock	P/N with UNC Boardlock	P/N with Cadmium Plating	P/N with Gold Plating
DE	2W2	DEMV2H2P-NK87	DEMZ2H2P-NK87	DEMMV2H2P-N	DEMMZ2H2P-N	DEM2H2P-NNMB	DEMZ2H2P-NNMBK52
DE	2WK2	DEMV2HK2P-NK87	DEMZ2HK2P-NK87	DEMMV2HK2P-N	DEMMZ2HK2P-N	DEM2HK2P-NNMB	DEMZ2HK2P-NNMBK52
DE	5W1	DEMV5H1P-NK87	DEMZ5H1P-NK87	DEMMV5H1P-N	DEMMZ5H1P-N	DEM5H1P-NNMB	DEMZ5H1P-NNMBK52
DA	7W2	DAMV7H2P-NK87	DAMZ7H2P-NK87	DAMMV7H2P-N	DAMMZ7H2P-N	DAM7H2P-NNMB	DAMZ7H2P-NNMBK52
DA	11W1	DAMV11H1P-NK87	DAMZ11H1P-NK87	DAMMV11H1P-N	DAMMZ11H1P-N	DAM11H1P-NNMB	DAMZ11H1P-NNMBK52
DA	3W3	DAMV3H3P-NK87	DAMZ3H3P-NK87	DAMMV3H3P-N	DAMMZ3H3P-N	DAM3H3P-NNMB	DAMZ3H3P-NNMBK52
DA	3WK3	DAMV3HK3-NK87	DAMZ3HK3P-NK87	DAMMV3HK3P-N	DAMMZ3HK3P-N	DAM3HK3P-NNMB	DAMZ3HK3P-NNMBK52
DB	5W5	DBMV5H5P-NK87	DBMZ5H5P-NK87	DBMMV5H5P-N	DBMMZ5H5P-N	DBM5H5P-NNMB	DBMZ5H5P-NNMBK52
DB	9W4	DBMV9H4P-NK87	DBMZ9H4P-NK87	DBMMV9H4P-N	DBMMZ9H4P-N	DBM9H4P-NNMB	DBMZ9H4P-NNMBK52
DB	13W3	DBMV13H3P-NK87	DBMZ13H3P-NK87	DBMMV13H3P-N	DBMMZ13H3P-N	DBM13H3P-NNMB	DBMZ13H3P-NNMBK52
DB	17W2	DBMV17H2P-NK87	DBMZ17H2P-NK87	DBMMV17H2P-N	DBMMZ17H2P-N	DBM17H2P-NNMB	DBMZ17H2P-NNMBK52
DB	21W1	DBMV21H1P-NK87	DBMZ21H1P-NK87	DBMMV21H1P-N	DBMMZ21H1P-N	DBM21H1P-NNMB	DBMZ21H1P-NNMBK52
DC	8W8	DCMV8H8P-NK87	DCMZ8H8P-NK87	DCMMV8H8P-N	DCMMZ8H8P-N	DCM8H8P-NNMB	DCMZ8H8P-NNMBK52
DC	13W6	DCMV13H6P-NK87	DCMZ13H6P-NK87	DCMMV13H6P-N	DCMMZ13H6P-N	DCM13H6P-NNMB	DCMZ13H6P-NNMBK52
DC	17W5	DCMV17H5P-NK87	DCMZ17H5P-NK87	DCMMV17H5P-N	DCMMZ17H5P-N	DCM17H5P-NNMB	DCMZ17H5P-NNMBK52
DC	21WA4	DCMV21HA4P-NK87	DCMZ21HA4P-NK87	DCMMV21HA4P-N	DCMMZ21HA4P-N	DCM21HA4P-NNMB	DCMZ21HA4P-NNMBK52
DC	25W3	DCMV25H3P-NK87	DCMZ25H3P-NK87	DCMMV25H3P-N	DCMMZ25H3P-N	DCM25H3P-NNMB	DCMZ25H3P-NNMBK52
DC	27W2	DCMV27H2P-NK87	DCMZ27H2P-NK87	DCMMV27H2P-N	DCMMZ27H2P-N	DCM27H2P-NNMBK	DCMZ27H2P-NNMBK52

* For Spacers; Order P/N 253-0343-008, 2 each

**For M-3 and other hardware options, see part number designator, page 7.

** Hardware Modifier not allowed on Non-Magnetic/Low Outgassing Versions; consult factory for more information

Plug



- For contact cavity arrangements, see page 61.
- For pcb hole pattern, see pages 92-94.
- For mounting methods, see pages 59-60.

Dimensions

Shell size	A ± 0,38 (.015)	B ± 0,13 (.005)	C ± 0,13 (.005)	D ± 0,13 (.005)	E ± 0,38 (.015)	F ± 0,25 (.010)	W ± 0,368 (.0145)	W ± 0,41 (.016)	L ± 0,25 (.010)
DE	30,81 (1.213)	16,92 (.665)	24,99 (.984)	8,36 (.329)	12,55 (.494)	10,72 (.422)	6,693 (.2635)	—	0,76 (.030)
DA	39,14 (1.541)	25,25 (.994)	33,32 (1.312)	8,36 (.329)	12,55 (.494)	10,72 (.422)	6,693 (.2635)	—	0,76 (.030)
DB	53,04 (2.088)	38,96 (1.534)	47,04 (1.852)	8,36 (.329)	12,55 (.494)	10,82 (.426)	—	6,84 (.269)	0,99 (.039)
DC	69,32 (2.729)	55,42 (2.182)	63,50 (2.500)	8,36 (.329)	12,55 (.494)	10,82 (.426)	—	6,84 (.269)	0,99 (.039)

Dimensions shown in mm
Specifications and dimensions subject to change

www.ittcannon.com



40 A High power straight PCB Receptacle, sizes DE – DC

40 A High power inserted with straight contacts and standoff with UNC 4-40 thread

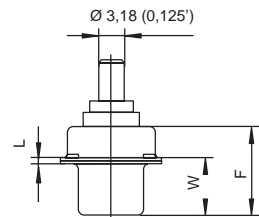
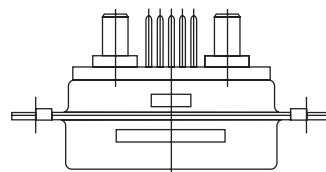
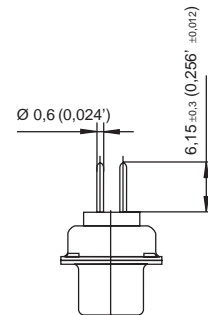
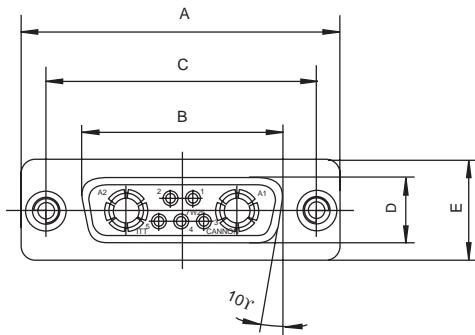
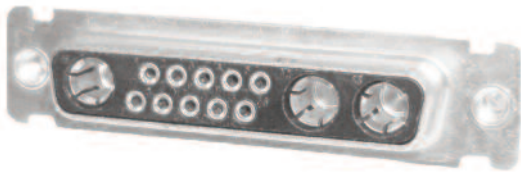
Shell size	Layout	INDUSTRIAL		MILITARY/HI-REL		NON-MAGNETIC**/LOW OUTGASSING***	
		P/N without pushfit	P/N with pushfit	P/N without pushfit	P/N with pushfit	P/N with Cadmium Plating	P/N with Gold Plating
DE	2W2	DEMV2H2S-NA197	DEMZ2H2S-NA197	DEMMV2H2S-N	DEMZZ2H2S-N	DEM2H2S-NNMB	DEM2H2S-NNMBK52
DE	2WK2	DEMV2HK2S-NA197	DEMZ2HK2S-NA197	DEMMV2HK2S-N	DEMZZ2HK2S-N	DEM2HK2S-NNMB	DEM2HK2S-NNMBK52
DE	5W1	DEMV5H1S-NA197	DEMZ5H1S-NA197	DEMMV5H1S-N	DEMZZ2HK2S-N	DEM5H1S-NNMB	DEM5H1S-NNMBK52
DA	7W2	DAMV7H2S-NA197	DAMZ7H2S-NA197	DAMMV7H2S-N	DAMMZ7H2S-N	DAM7H2S-NNMB	DAM7H2S-NNMBK52
DA	11W1	DAMV11H1S-NA197	DAMZ11H1S-NA197	DAMMV11H1S-N	DAMMZ11H1S-N	DAM11H1S-NNMB	DAM11H1S-NNMBK52
DA	3W3	DAMV3H3S-NA197	DAMZ3H3S-NA197	DAMMV3H3S-N	DAMMZ3H3S-N	DAM3H3S-NNMB	DAM3H3S-NNMBK52
DA	3WK3	DAMV3HK3S-NA197	DAMZ3HK3S-NA197	DAMMV3HK3S-N	DAMMZ3HK3S-N	DAM3HK3S-NNMB	DAM3HK3S-NNMBK52
DB	5W5	DBMV5H5S-NA197	DBMZ5H5S-NA197	DBMMV5H5S-N	DBMMZ5H5S-N	DBM5H5S-NNMB	DBM5H5S-NNMBK52
DB	9W4	DBMV9H4S-NA197	DBMZ9H4S-NA197	DBMMV9H4S-N	DBMMZ9H4S-N	DBM9H4S-NNMB	DBM9H4S-NNMBK52
DB	13W3	DBMV13H3S-NA197	DBMZ13H3S-NA197	DBMMV13H3S-N	DBMMZ13H3S-N	DBM13H3S-NNMB	DBM13H3S-NNMBK52
DB	17W2	DBMV17H2S-NA197	DBMZ17H2S-NA197	DBMMV17H2S-N	DBMMZ17H2S-N	DBM17H2S-NNMB	DBM17H2S-NNMBK52
DB	21W1	DBMV21H1S-NA197	DBMZ21H1S-NA197	DBMMV21H1S-N	DBMMZ21H1S-N	DBM21H1S-NNMB	DBM21H1S-NNMBK52
DC	8W8	DCMV8H8S-NA197	DCMZ8H8S-NA197	DCMMV8H8S-N	DCMMZ8H8S-N	DCM8H8S-NNMB	DCM8H8S-NNMBK52
DC	13W6	DCMV13H6S-NA197	DCMZ13H6S-NA197	DCMMV13H6S-N	DCMMZ13H6S-N	DCM13H6S-NNMB	DCM13H6S-NNMBK52
DC	17W5	DCMV17H5S-NA197	DCMZ17H5S-NA197	DCMMV17H5S-N	DCMMZ17H5S-N	DCM17H5S-NNMB	DCM17H5S-NNMBK52
DC	21WA4	DCMV21HA4S-NA197	DCMZ21HA4S-NA197	DCMMV21HA4S-N	DCMMZ21HA4S-N	DCM21HA4S-NNMB	DCM21HA4S-NNMBK52
DC	25W3	DCMV25H3S-NA197	DCMZ25H3S-NA197	DCMMV25H3S-N	DCMMZ25H3S-N	DCM25H3S-NNMB	DCM25H3S-NNMBK52
DC	27W2	DCMV27H2S-NA197	DCMZ27H2S-NA197	DCMMV27H2S-N	DCMMZ27H2S-N	DCM27H2S-NNMB	DCM27H2S-NNMBK52

*For M-3 hardware and other hardware options, see part number designator, page 7.

**For spacers; order P/N 23-0343-008, two each per connector.

*** Hardware Modifier not allowed on Non-Magnetic/Low Outgassing Versions; consult factory for more information.

Receptacle



- For contact cavity arrangements, see page 62.
- For pcb hole pattern, see pages 95-97.
- For mounting methods, see pages 59-60.

Dimensions

Shell size	A ± 0,38 (.015)	B ± 0,13 (.005)	C ± 0,13 (.005)	D ± 0,13 (.005)	E ± 0,38 (.015)	F ± 0,25 (.010)	W ± 0,38 (.015)	L ± 0,25 (.010)
DE	30,81 (1.213)	16,33 (.643)	24,99 (.984)	7,90 (.311)	12,55 (.494)	10,90 (.429)	6,94 (.273)	0,76 (.030)
DA	39,14 (1.541)	24,65 (.971)	33,32 (1.312)	7,90 (.311)	12,55 (.494)	10,90 (.429)	6,94 (.273)	0,76 (.030)
DB	53,04 (2.088)	38,38 (1.511)	47,04 (1.852)	7,90 (.311)	12,55 (.494)	10,90 (.429)	6,94 (.273)	0,76 (.030)
DC	69,32 (2.729)	54,84 (2.159)	63,50 (2.500)	7,90 (.311)	12,55 (.494)	10,90 (.429)	6,94 (.273)	0,76 (.030)

Dimensions shown in mm
Specifications and dimensions subject to change

www.ittcannon.com



40 A High Power straight-European solder Pins, sizes DE-DC

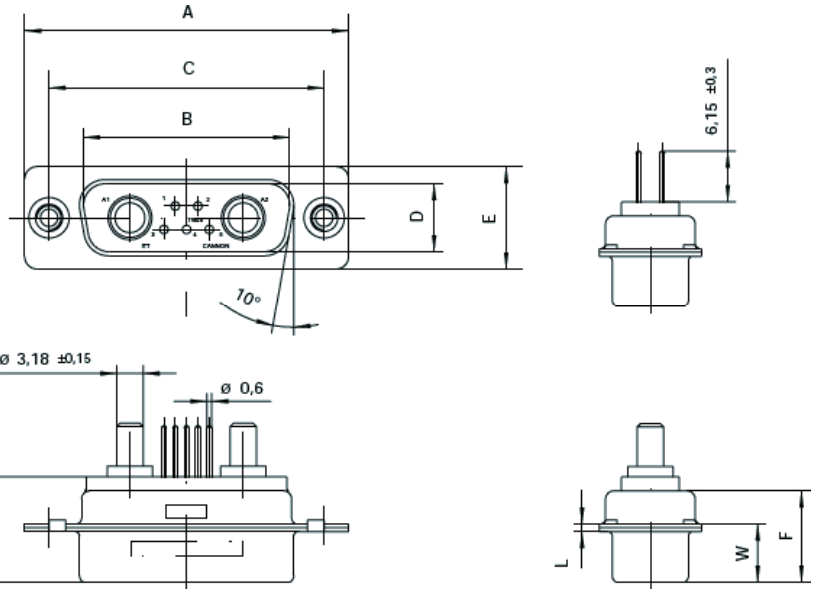
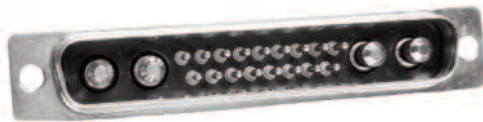
Part numbers with straight contacts

Shell size	Layout	with standoff M3	with standoff M3 with pushfit	standoff, M3 post and pushfit	with M3 clinch nut	with through hole 3,05 mm
DE	2W2	DEMT-2H2P-OL4-A191-K87	DEMQ-2H2P-OL4-A191-K87	DEMU-2H2P-OL4-A191-K87	DEMX-2H2P-OL4-A191-K87	DEM-2H2P-OL4-A191-K87
DE	2WK2	DEMT-2HK2P-OL4-A191-K87	DEMQ-2HK2P-OL4-A191-K87	DEMU-2HK2P-OL4-A191-K87	DEMX-2HK2P-OL4-A191-K87	DEM-2HK2P-OL4-A191-K87
DE	5W1	DEMT-5H1P-OL4-A191-K87	DEMQ-5H1P-OL4-A191-K87	DEMU-5H1P-OL4-A191-K87	DEMX-5H1P-OL4-A191-K87	DEM-5H1P-OL4-A191-K87
DA	7W2	DAMT-7H2P-OL4-A191-K87	DAMQ-7H2P-OL4-A191-K87	DAMU-7H2P-OL4-A191-K87	DAMX-7H2P-OL4-A191-K87	DAM-7H2P-OL4-A191-K87
DA	11W1	DAMT-11H1P-OL4-A191-K87	DAMQ-11H1P-OL4-A191-K87	DAMU-11H1P-OL4-A191-K87	DAMX-11H1P-OL4-A191-K87	DAM-11H1P-OL4-A191-K87
DA	3W3	DAMT-3H3P-OL4-A191-K87	DAMQ-3H3P-OL4-A191-K87	DAMU-3H3P-OL4-A191-K87	DAMX-3H3P-OL4-A191-K87	DAM-3H3P-OL4-A191-K87
DA	3WK3	DAMT-3HK3P-OL4-A191-K87	DAMQ-3HK3P-OL4-A191-K87	DAMU-3PH3P-OL4-A191-K87	DAMX-3PH3P-OL4-A191-K87	DAM-3HK3P-OL4-A191-K87
DB	5W5	DBMT-5H5P-OL4-A191-K87	DBMQ-5H5P-OL4-A191-K87	DBMU-5H5P-10L4-A191-K87	DBMX-5H5P-OL4-A191-K87	DBM-5H5P-OL4-A191-K87
DB	9W4	DBMT-9H4P-OL4-A191-K87	DBMQ-9H4P-OL4-A191-K87	DBMU-9H4P-OL4-A191-K87	DBMX-9H4P-OL4-A191-K87	DBM-9H4P-OL4-A191-K87
DB	13W3	DBMT-13H3P-10L4-A191-K87	DBMQ-13H3P-OL4-A191-K87	DBMU-13H3P-OL4-A191-K87	DBMX-13H3P-OL4-A191-K87	DBM-13H3P-OL4-A191-K87
DB	17W2	DBMT-17HSP-OL4-A191-K87	DBMQ-17HSP-OL4-A191-K87	DBMU-17HSP-OL4-A191-K87	DBMX-17HSP-OL4-A191-K87	DBM-17HSP-OL4-A191-K87
DB	21W1	DBMT-21H1P-OL4-A191-K87	DBMQ-21H1P-OL4-A191-K87	DBMU-21H1P-OL4-A191-K87	DBMX-21H1P-OL4-A191-K87	DBM-21H1P-OL4-A191-K87
DC	W8	DCMT-8H8P-OL4-A191-K87	DCMQ-8H8P-OL4-A191-K87	DCMU-8H8P-OL4-A191-K87	DCMX-8H8P-OL4-A191-K87	DCM-8H8P-OL4-A191-K87
DC	13W6	DCMT-13H6P-OL4-A191-K87	DCMQ-13H6P-OL4-A191-K87	DCMU-13H6P-OL4-A191-K87	DCMX-13H6P-OL4-A191-K87	DCM-13H6P-OL4-A191-K87
DC	17W5	DCMT-17H5P-OL4-A191-K87	DCMQ-17H5P-OL4-A191-K87	DCMU-17H5P-OL4-A191-K87	DCMX-17H5P-OL4-A191-K87	DCM-17H5P-OL4-A191-K87
DC	21WA4	DCMT-21HA4P-OL4-A191-K87	DCMQ-21HA4P-OL4-A191-K87	DCMU-21HA4P-OL4-A191-K87	DCMX-21HA4P-OL4-A191-K87	DCM-21HA4P-OL4-A191-K87
DC	25W3	DCMT-25H3P-10L4-A191-K87	DCMQ-25H3P-OL4-A191-K87	DCMU-25H3P-OL4-A191-K87	DCMX-25H3P-OL4-A191-K87	DCM-25H3P-OL4-A191-K87
DC	27W2	DCMT-27H2P-OL4-A191-K87	DCMQ-27H2P-OL4-A191-K87	DCMU-27H2P-OL4-A191-K87	DCMX-27H2P-OL4-A191-K87	DCM-27H2-OL4-A191-K87

For performance class 1 replace A191 with A190.
For performance class 3 delete A191.

For 4-40 UNC thread standoff with pushfit replace Q with Z.
For captive nut 4-40 NC replace X with E.

Pin



- For contact cavity arrangements, see page 61.
- For pcb hole pattern, see pages 92-94.
- For mounting methods, see pages 59-60.

Dimensions

Shell size	A ± 0,38 (.015)	B ± 0,13 (.005)	C ± 0,13 (.005)	D ± 0,13 (.005)	E ± 0,38 (.015)	F ± 0,25 (.010)	W ± 0,2 (.008)	L ± 0,40 (.016)
DE	30,81 (1.213)	16,90 (.665)	25,0 (.984)	8,35 (.329)	12,55 (.494)	10,70 (.421)	6,70 (.264)	0,8 (.031)
DA	39,15 (1.541)	24,25 (.994)	33,3 (1.311)	8,35 (.329)	12,55 (.494)	10,70 (.421)	6,70 (.264)	0,8 (.031)
DB	53,05 (2.088)	38,95 (1.533)	47,05 (1.852)	8,35 (.329)	12,55 (.494)	10,80 (.425)	6,80 (.268)	0,9 (.031)
DC	69,3 (2.089)	55,4 (2.181)	63,50 (2.500)	8,35 (.329)	12,55 (.494)	10,80 (.425)	6,80 (.268)	0,9 (.031)

Dimensions shown in mm
Specifications and dimensions subject to change

www.ittcannon.com



40 A High Power straight-European solder Socket, sizes DE-DC

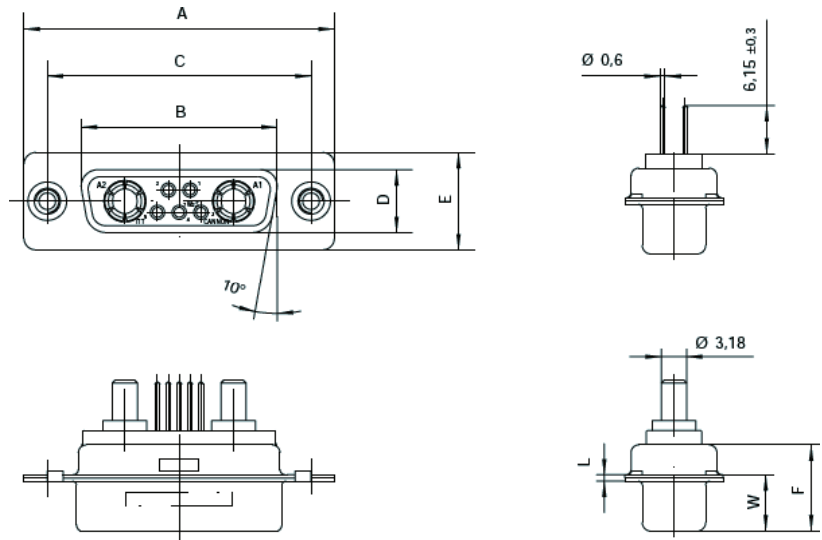
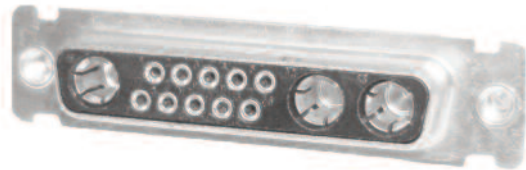
Part numbers with straight contacts

Shell size	Layout	with standoff M3	with standoff M3 with pushfit	standoff, M3 post and pushfit	with M3 clinch nut	with through hole 3,05 mm
DE	2W2	DEMT-2H2S-OL4-A191-A197	DEMQ-2H2S-OL4-A191-A197	DEMU-2H2S-OL4-A191-A197	DEMX-2H2S-OL4-A191-A197	DEM-2H2S-OL4-A191-A197
DE	2WK2	DEMT-2HK3S-OL4-A191-A197	DAMQ-2HK3S-OL4-A191-A197	DAMU-2PH3S-OL4-A191-A197	DAMX-2PH3S-OL4-A191-A197	DAM-2HK3S-OL4-A191-A197
DE	5W1	DEMT-5H1S-OL4-A191-A197	DEMQ-5H1S-OL4-A191-A197	DEMU-5H1S-OL4-A191-A197	DEMX-5H1S-OL4-A191-A197	DEM-5H1S-OL4-A191-A197
DA	7W2	DAMT-7H2S-OL4-A191-A197	DAMQ-7H2S-OL4-A191-A197	DAMU-7H2S-OL4-A191-A197	DAMX-7H2S-OL4-A191-A197	DAM-7H2S-OL4-A191-A197
DA	11W1	DAMT-11H1S-OL4-A191-A197	DAMQ-11H1S-OL4-A191-A197	DAMU-11H1S-OL4-A191-A197	DAMX-11H1S-OL4-A191-KA197	DAM-11H1S-OL4-A191-A197
DA	3W3	DAMT-3H3S-OL4-A191-A197	DAMQ-3H3S-OL4-A191-A197	DAMU-3H3S-OL4-A191-A197	DAMX-3H3S-OL4-A191-A197	DAM-3H3S-OL4-A191-A197
DA	3WK3	DAMT-3HK3S-OL4-A191-A197	DAMQ-3HK3S-OL4-A191-A197	DAMU-3PH3S-OL4-A191-A197	DAMX-3PH3S-OL4-A191-A197	DAM-3HK3S-OL4-A191-A197
DB	5W5	DBMT-5H5S-OL4-A191-A197	DBMQ-5H5S-OL4-A191-A197	DBMU-5H5S-10L4-A191-A197	DBMX-5H5S-OL4-A191-A197	DBM-5H5S-OL4-A191-A197
DB	9W4	DBMT-9H4S-OL4-A191-A197	DBMQ-9H4S-OL4-A191-A197	DBMU-9H4S-OL4-A191-A197	DBMX-9H4S-OL4-A191-A197	DBM-9H4S-OL4-A191-A197
DB	13W3	DBMT-13H3S-10L4-A191-A197	DBMQ-13H3S-OL4-A191-A197	DBMU-13H3S-OL4-A191-A197	DBMX-13H3S-OL4-A191-A197	DBM-13H3S-OL4-A191-A197
DB	17W2	DBMT-17H2S-OL4-A191-A197	DBMQ-17H2S-OL4-A191-A197	DBMU-17H2S-OL4-A191-A197	DBMX-17H2S-OL4-A191-A197	DBM-17H2S-OL4-A191-A197
DB	21W1	DBMT-21H1S-OL4-A191-A197	DBMQ-21H1S-OL4-A191-A197	DBMU-21H1S-OL4-A191-A197	DBMX-21H1S-OL4-A191-A197	DBM-21H1S-OL4-A191-A197
DC	W8	DCMT-8H8S-OL4-A191-A197	DCMQ-8H8S-OL4-A191-A197	DCMU-8H8S-OL4-A191-A197	DCMX-8H8S-OL4-A191-A197	DCM-8H8S-OL4-A191-A197
DC	13W6	DCMT-13H6S-OL4-A191-A197	DCMQ-13H6S-OL4-A191-A197	DCMU-13H6S-OL4-A191-A197	DCMX-13H6S-OL4-A191-A197	DCM-13H6S-OL4-A191-A197
DC	17W5	DCMT-17H5S-OL4-A191-A197	DCMQ-17H5S-OL4-A191-A197	DCMU-17H5S-OL4-A191-A197	DCMX-17H5S-OL4-A191-A197	DCM-17H5S-OL4-A191-A197
DC	21WA4	DCMT-21HA4S-OL4-A191-A197	DCMQ-21HA4S-OL4-A191-A197	DCMU-21HA4S-OL4-A191-A197	DCMX-21HA4S-OL4-A191-A197	DCM-21HA4S-OL4-A191-A197
DC	25W3	DCMT-25H3S-10L4-A191-A197	DCMQ-25H3S-OL4-A191-A197	DCMU-25H3S-OL4-A191-A197	DCMX-25H3S-OL4-A191-A197	DCM-25H3S-OL4-A191-A197
DC	27W2	DCMT-27H2S-OL4-A191-A197	DCMQ-27H2S-OL4-A191-A197	DCMU-27H2S-OL4-A191-A197	DCMX-27H2S-OL4-A191-A197	DCM-27H2S-OL4-A191-A197

For performance class 1 replace A191 with A190.
For performance class 3 delete A191.

For 4-40 UNC thread standoff with pushfit replace Q with Z.
For captive nut 4-40 NC replace X with E.

Socket



- For contact cavity arrangements, see page 62.
- For pcb hole pattern, see pages 95-97.
- For mounting methods, see pages 59-60.

Dimensions

Shell size	A ± 0,38 (.015)	B ± 0,13 (.005)	C ± 0,13 (.005)	D ± 0,13 (.005)	E ± 0,38 (.015)	F ± 0,25 (.010)	L ± 0,2 (.008)	W ± 0,40 (.016)
DE	30,8 (1.213)	16,35 (.644)	25 (.984)	7,9 (.311)	12,55 (.494)	10,90 (.429)	0,8 (.031)	6,95 (.274)
DA	39,15 (1.541)	24,65 (.970)	33,3 (1.311)	7,9 (.311)	12,55 (.494)	10,90 (.429)	0,8 (.031)	6,95 (.274)
DB	53,05 (2.089)	38,4 (1.512)	47,05 (1.852)	7,9 (.311)	12,55 (.494)	10,90 (.429)	0,8 (.031)	6,95 (.274)
DC	69,3 (2.089)	54,85 (2.159)	63,50 (2.500)	7,9 (.311)	12,55 (.494)	10,90 (.429)	0,8 (.031)	6,95 (.274)



Dimensions shown in mm
Specifications and dimensions subject to change

www.ittcannon.com

40 A High Power Plug, Pressfit Termination

Plug



Part Numbers

Boardlock 4-40 UNC	Boardlock M3	Stand-off 4-40	Stand-off M3
DAME3W3P-PO-161	DAMX-3W3P-PO-161	DAME-3W3P-PO-183	DAMX-3W3P-PO-183
DAME3WK3P-PO-161	DAMX-3WK3P-PO-161	DAME-3WK3P-PO-183	DAMX-3WK3P-PO-183
DBME5W5P-PO-161	DBMX-5W5P-PO-161	DBME-5W5P-PO-183	DBMX-5W5P-PO-183
DCME8W8P-PO-161	DCMX-8W8P-PO-161	DCME-8W8P-PO-183	DCMX-8W8P-PO-183

- For contact cavity arrangements, see page 61.
- For pcb hole pattern, see pages 82-84.
- For mounting methods, see pages 59-60.

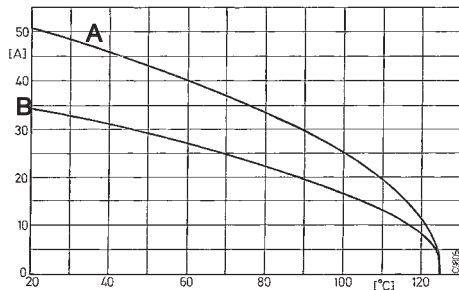
Electrical Data

Insulation resistance
 $\approx 1 \times 10^{10} \text{ W} / 100 \text{ V}$

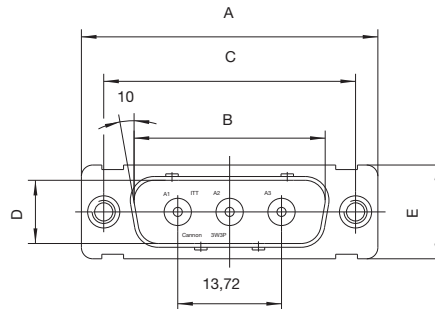
Contact resistance
 1 mW

Dielectric Withstanding Voltage
 1000 VAC (sea level)

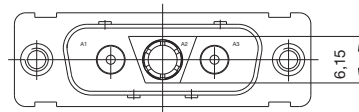
Current Load



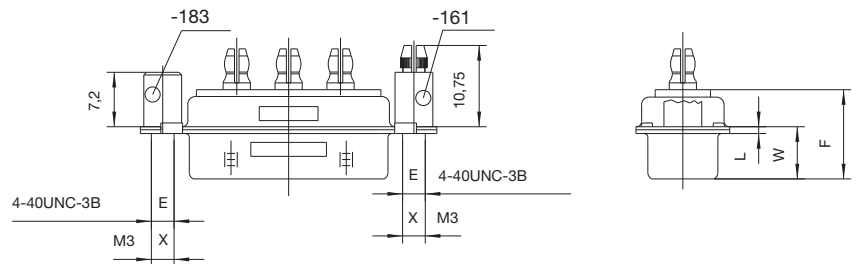
A – Multilayer 6 x 35 μm x 4,5 mm
 B – Double layer 2 x 35 μm x 4,5 mm



3W3



3WK3



Dimensions

Shell size	A $\pm 0,38 (.015)$	B $\pm 0,13 (.005)$	C $\pm 0,13 (.005)$	D $\pm 0,13 (.005)$	E $\pm 0,38 (.015)$	F $\pm 0,25 (.010)$	W $\pm 0,38 (.0145)$	W $\pm 0,41 (.016)$	L $\pm 0,25 (.010)$
DA	39,14 (1.541)	25,25 (.994)	33,32 (1.312)	8,36 (.329)	12,55 (.494)	10,72 (.422)	6,693 (.2635)	—	0,76 (.030)
DB	53,04 (2.088)	38,96 (1.534)	47,04 (1.852)	8,36 (.329)	12,55 (.494)	10,82 (.426)	—	6,84 (.269)	0,99 (.039)
DC	69,32 (2.729)	55,42 (2.182)	63,50 (2.500)	8,36 (.329)	12,55 (.494)	10,82 (.426)	—	6,84 (.269)	0,99 (.039)

Dimensions shown in mm
 Specifications and dimensions subject to change

www.ittcannon.com



40 A High Power Receptacle, Pressfit Termination

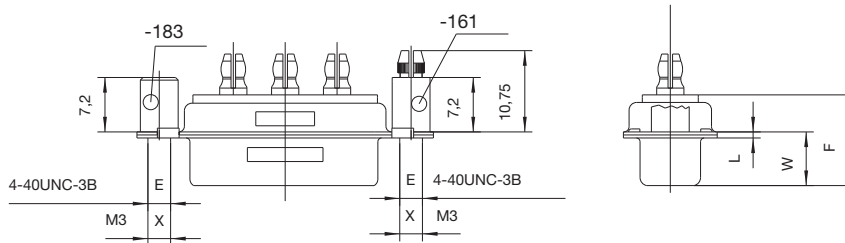
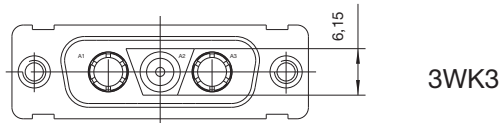
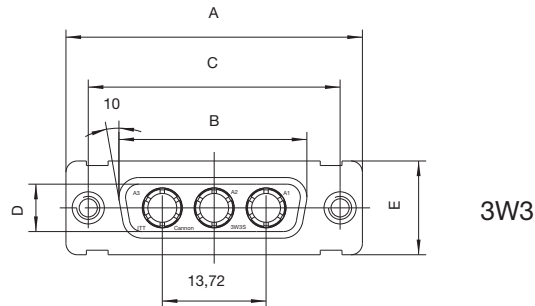
Part Numbers

Boardlock 4-40 UNC	Boardlock M3	Stand-off 4-40	Stand-off M3
DEME3W3S-PO-161	DEMX-3W3S-PO-161	DEME-3W3S-PO-183	DEMX-3W3S-PO-183
DAME3WK3S-PO-161	DAMX-3WK3S-PO-161	DAME-3WK3S-PO-183	DAMX-3WK3S-PO-183
DBME5W5S-PO-161	DBMX-5W5S-PO-161	DBME-5W5S-PO-183	DBMX-5W5S-PO-183
DCME8W8S-PO-161	DCMX-8W8S-PO-161	DCME-8W8S-PO-183	DCMX-8W8S-PO-183

Receptacle



- For contact cavity arrangements, see page 62.
- For pcb hole pattern, see pages 85-87.
- For mounting methods, see page 59-60.



Dimensions

Shell size	A ± 0,38 (.015)	B ± 0,13 (.005)	C ± 0,13 (.005)	D ± 0,13 (.005)	E ± 0,38 (.015)	F ± 0,25 (.010)	W ± 0,38 (.015)	L ± 0,25 (.010)
DA	39,15 (1.541)	24,66 (.971)	33,32 (1.312)	7,90 (.311)	12,55 (.494)	10,90 (.429)	6,94 (.273)	6,76 (.030)
DB	53,04 (2.088)	38,48 (1.511)	47,04 (1.852)	7,90 (.311)	12,55 (.494)	10,90 (.429)	6,94 (.273)	6,76 (.030)
DC	69,32 (2.729)	54,84 (2.159)	63,50 (2.500)	7,90 (.311)	12,55 (.494)	10,90 (.429)	6,94 (.273)	6,76 (.030)



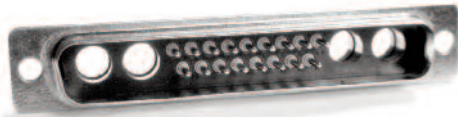
Dimensions shown in mm
Specifications and dimensions subject to change

www.ittcannon.com

Plug, Solder cup, sizes DE – DC, with empty size 8 cavities

Empty size 8 contact cavities with solder pot termination

Plug

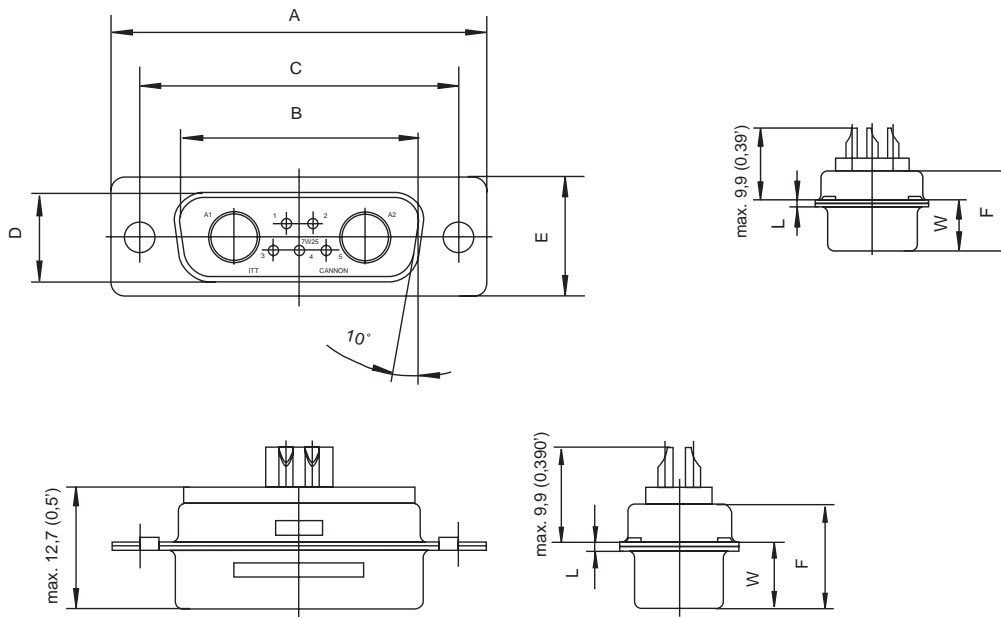


Shell size	Layout	INDUSTRIAL P/N with through hole	MILITARY/HI-REL P/N with through hole	NON-MAGNETIC/LOW OUTGASSING** P/N with through hole
DE	2W2	DEM2W2PK87	DEMM2W2P	DEM2W2PNMBK52
DE	2WK2	DEM2WK2PK87	DEMM2WK2P	DEM2WK2PNMBK52
DE	5W1	DEM5W1PK87	DEMM5W1P	DEM5W1PNMBK52
DA	7W2	DAM7W2PK87	DAMM7W2P	DAM7W2PNMBK52
DA	11W1	DAM11W1PK87	DAMM11W1P	DAM11W1PNMBK52
DA	3W3	DAM3W3PK87	DAMM3W3P	DAM3W3PNMBK52
DA	3WK3	DAM3WK3PK87	DAMM3WK3P	DAM3WK3PNMBK52
DB	5W5	DBM5W5PK87	DBMM5W5P	DBM5W5PNMBK52
DB	9W4	DBM9W4PK87	DBMM9W4P	DBM9W4PNMBK52
DB	13W3	DBM13W3PK87	DBMM13W3P	DBM13W3PNMBK52
DB	17W2	DBM17W2PK87	DBMM17W2P	DBM17W2PNMBK52
DB	21W1	DBM21W1PK87	DBMM21W1P	DBM21W1PNMBK52
DC	8W8	DCM8W8PK87	DCMM8W8P	DCM8W8PNMBK52
DC	13W6	DCM13W6PK87	DCMM13W6P	DCM13W6PNMBK52
DC	17W5	DCM17W5PK87	DCMM17W5P	DCM17W5PNMBK52
DC	21WA4	DCM21WA4PK87	DCMM21WA4P	DCM21WA4PNMBK52
DC	25W3	DCM25W3PK87	DCMM25W3P	DCM25W3PNMBK52
DC	27W2	DCM27W2PK87	DCMM27W2P	DCM27W2PNMBK52

- For contact cavity arrangements, see page 61.
- For mounting methods, see page 59-60.

*For clinch nut 4-40 UNC thread add "E", for float mount add "Y" after D*M designation (Ex. DCMME27W2P, DGM Y27W2PK87) 2W2/2WK2, 3W3/3WK3 (keyed) 5W5 and 8W8 without signal contacts.

** Hardware Modifier not allowed on Non-Magnetic/Low Outgassing Versions; consult factory for more information



Dimensions

Shell size	A	B	C	D	E	F	W	W	K	K	L
	± 0,38 (.015)	± 0,13 (.005)	± 0,13 (.005)	± 0,13 (.005)	± 0,38 (.015)	± 0,25 (.010)	± 0,368 (.0145)	± 0,41 (.016)	± 0,317 (.0125)	± 0,25 (.010)	± 0,25 (.010)
DE	30,81 (1.213)	16,92 (.666)	24,99 (.984)	8,36 (.329)	12,55 (.494)	10,72 (.422)	6,693 (.2635)	—	1,206 (.0475)	—	0,76 (.030)
DA	39,14 (1.541)	25,25 (.994)	33,32 (1.312)	8,36 (.329)	12,55 (.494)	10,72 (.422)	6,693 (.2635)	—	1,206 (.0475)	—	0,76 (.030)
DB	53,04 (2.088)	38,96 (1.534)	47,04 (1.852)	8,36 (.329)	12,55 (.494)	10,82 (.426)	—	6,84 (.269)	—	1,52 (.060)	0,99 (.039)
DC	69,32 (2.729)	55,42 (2.182)	63,50 (2.500)	8,36 (.329)	12,55 (.494)	10,82 (.426)	—	6,84 (.269)	—	1,52 (.060)	0,99 (.039)

Dimensions shown in mm
Specifications and dimensions subject to change

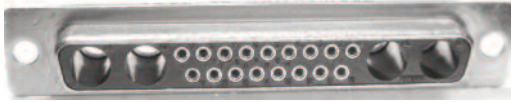
www.ittcannon.com



Receptacle, Solder cup, sizes DE – DC, with empty size 8 cavities

Empty size 8 contact cavities with solder pot termination

Receptacle

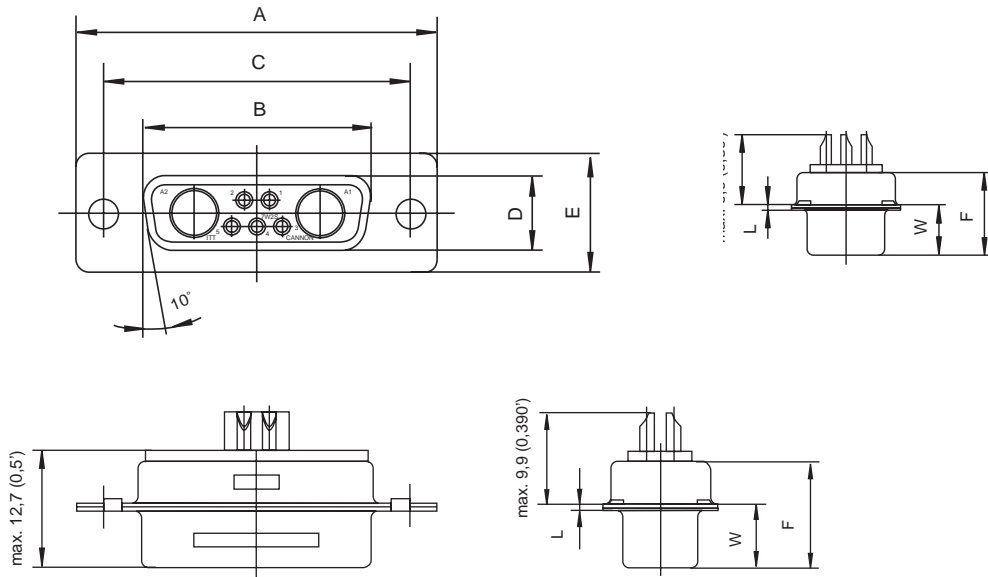


- For contact cavity arrangements, see page 62.
- For mounting methods, see pages 59-60.

Shell size	Layout	INDUSTRIAL P/N with through hole	MILITARY/HI-REL P/N with through hole	NON-MAGNETIC/LOW OUTGASSING* P/N with through hole
DE	2W2	DEM2W2SA197	DEMM2W2S	DEM2W2SNMBK52
DE	2WK2	DEM2WK2SA197	DEMM2WK2S	DEM2WK2SNMBK52
DE	5W1	DEM5W1SA197	DEMM5W1S	DEM5W1SNMBK52
DA	7W2	DAM7W2SA197	DAMM7W2S	DAM7W2SNMBK52
DA	11W1	DAM11W1SA197	DAMM11W1S	DAM11W1SNMBK52
DA	3W3	DAM3W3SA197	DAMM3W3S	DAM3W3SNMBK52
DA	3WK3	DAM3WK3SA197	DAMM3WK3S	DAM3WK3SNMBK52
DB	5W5	DBM5W5SA197	DBMM5W5S	DBM5W5SNMBK52
DB	9W4	DBM9W4SA197	DBMM9W4S	DBM9W4SNMBK52
DB	13W3	DBM13W3SA197	DBMM13W3S	DBM13W3SNMBK52
DB	17W2	DBM17W2SA197	DBMM17W2S	DBM17W2SNMBK52
DB	21W1	DBM21W1SA197	DBMM21W1S	DBM21W1SNMBK52
DC	8W8	DCM8W8SA197	DCMM8W8S	DCM8W8SNMBK52
DC	13W6	DCM13W6SA197	DCMM13W6S	DCM13W6SNMBK52
DC	17W5	DCM17W5SA197	DCMM17W5S	DCM17W5SNMBK52
DC	21WA4	DCM21WA4SA197	DCMM21WA4S	DCM21WA4SNMBK52
DC	25W3	DCM25W3SA197	DCMM25W3S	DCM25W3SNMBK52
DC	27W2	DCM27W2SA197	DCMM27W2S	DCM27W2SNMBK52

*For clinch nut 4-40 UNC thread add "E", for float mount add "Y" after D*M designation (Ex. DCMMY27W2PK87) 2W2/2WK2, 3W3/3WK3 (keyed) 5W5 and 8W8 without signal contacts.

** Hardware Modifier not allowed on Non-Magnetic/Low Outgassing Versions; consult factory for more information



Dimensions

Shell size	A	B	C	D	E	F	W	K	L
	± 0,38 (.015)	± 0,13 (.005)	± 0,13 (.005)	± 0,13 (.005)	± 0,38 (.015)	± 0,25 (.010)	± 0,38 (.015)	± 0,317 (.0125)	± 0,25 (.010)
DE	30,81 (1.213)	16,33 (.643)	24,99 (.984)	7,90 (.311)	12,55 (.494)	10,90 (.429)	6,94 (.273)	1,206 (.0475)	0,76 (.030)
DA	39,14 (1.541)	24,65 (.971)	33,32 (1.312)	7,90 (.311)	12,55 (.494)	10,90 (.429)	6,94 (.273)	1,206 (.0475)	0,76 (.030)
DB	53,04 (2.088)	38,38 (1.511)	47,04 (1.852)	7,90 (.311)	12,55 (.494)	10,90 (.429)	6,94 (.273)	1,206 (.0475)	0,76 (.030)
DC	69,32 (2.729)	54,84 (2.159)	63,50 (2.500)	7,90 (.311)	12,55 (.494)	10,90 (.429)	6,94 (.273)	1,206 (.0475)	0,76 (.030)



Dimensions shown in mm
Specifications and dimensions subject to change

www.ittcannon.com

NASA/GSFC Cross Reference

NASA/GSFC Part Number	ITT Cannon Part Number	NASA/GSFC Part Number	ITT Cannon Part Number	NASA/GSFC Part Number	ITT Cannon Part Number
GO8P1 GO8S1 S-311-P-4/6GCP1 S-311-P-4/6GCP2 S-311-P-4/6GCP3	030-2042-002 031-1147-002 DM53740-17 DM53740-15 DM53740-16	311-P-10-12S-B-15 311-P-10-13P-B-12 311-P-10-13P-B-15	DBM13W3S-NMB-76 DBM17W2PNMB77 DBM-17W2P-NMB-76	311-P-10-24P-B-12	DDM43W2P-NMB-77
S-311-P-4/6GCP4 S-311-P-4/6GCRP1 S-311-P-4/6GCRP2 S-311-P-4/6GCRP3 S-311-P-4/6GCRP4	DM53740-18 DM53741-12 DM53741-11 DM53741-10 DM53741-13	311-P-10-13S-B-12 311-P-10-14P-B-12	DBM17W2SNMB77 DBM-21W1P-NMB-77	311-P-10-3S-B-12 311-P-10-3P-B-15	DBM25PNMB77 DBM25PNMB76
S-311-P-4/6GCRS1 S-311-P-4/6GCRS2 S-311-P-4/6GCRS3 S-311-P-4/6GCRS4 S-311-P-4/6GCS1	DM53743-18 DM53743-16 DM53743-17 DM53743-19 DM53742-18	311-P-10-14P-B-15 311-P-10-14S-B-12 311-P-10-14S-B-15 311-P-10-15P-B-12	DBM-21W1P-NMB-76 DBM-21W1S-NMB-77 DBM-21W1S-NMB-76 DCM-8W8P-NMB-77	311-P-10-3S-B-15 311-P-10-4P-B-12 311-P-10-4P-B-15	DBM-25S-NMB-76 DCM37PNMB77 DCM37PNMB76
S-311-P-4/6GCS2 S-311-P-4/6GCS3 S-311-P-4/6GCS4 S-311-P-4/6GHP6 S-311-P-4/6GHRP6	DM53742-16 DM53742-17 DM53742-19 DM51157-8 DM51157-5005	311-P-10-15P-B-15 311-P-10-15S-B-12 311-P-10-15S-B-15	DCM8W8PNMB76 DCM-8W8S-NMB-77 DCM8W8SNMB76	311-P-10-4S-B-12 311-P-10-4S-B-15	DCM37SNMB77 DCM-37S-NMB-76
S-311-P-4/6GHS6 S-311-P-4/6GHS6 311P409-1P-B-12 311P409-1P-B-15 311P409-1S-B-12	DM51155-5005 DM51155-7 DEMA9PNMBK47FO DEMAK9PNMBK47FO DEMA9SNMBK47FO	311-P-10-16P-B-12 311-P-10-16P-B-15	DCM-13W6P-NMB-77 DCM-13W6P-NMB-76	311-P-10-5P-B-12 311-P-10-5P-B-15	DDM50PNMB77 DDM50PNMB76
311P409-1S-B-15 311P409-2P-B-12 311P409-2P-B-15 311P409-2S-B-12 311P409-2S-B-15	DEMAK9SNMBK47FO DEMA15PNMBK47FO DEMAK15PNMBK47FO DEMA15SNMBK47FO DEMAK15SNMBK47FO	311-P-10-16S-B-12	DCM-13W6S-NMB-77	311-P-10-5S-B-12 311-P-10-5S-B-15	DDM50SNMB77 DDM50SNMB76
311P409-3P-B-12 311P409-3P-B-15 311P409-3S-B-12 311P409-3S-B-15 311P409-4P-B-12	DEMA25PNMBK47FO DEMAK25PNMBK47FO DEMA25SNMBK47FO DEMAK25SNMBK47FO DEMA37PNMBK47FO	311-P-10-17P-B-15 311-P-10-17S-B-12 311-P-10-17S-B-15	DCM-17W5P-NMB-76 DCM-17W5S-NMB-77 DCM17W5S-NMB-76	311-P-10-6P-B-15 311-P-10-7P-B-12 311-P-10-7P-B-15	DEM-5W1P-NMB-76 DAM3W3PNMB77 DAM-3W3P-NMB-76
311P409-4P-B-15 311P409-4S-B-12 311P409-4S-B-15 311P409-5P-B-12 311P409-5S-B-15	DEMAK37PNMBK47FO DEMAK37SNMBK47FO DEMAK37SNMBK47FO DEMA50PNMBK47FO DEMAK50PNMBK47FO	311-P-10-18P-B-12 311-P-10-18P-B-12	DCM-21WA4P-NMB-77 DCM21WA4P-NMB-76	311-P-10-7S-B-12 311-P-10-7S-B-15	DAM3W3SNMB77 DAM3W3SNMB76
311P409-5S-B-12 311P409-5S-B-15 S-311-P-4/10G1OP1 S-311-P-4/10G1OS1 311-P-10-1B-1S-B-15	DEMA50SNMBK47FO DEMAK50PNMBK47FO 330-5291-081-02 031-1007-052-05 DEMB9S-NMB-76	311-P-10-18S-B-12 311-P-10-18S-B-15 311-P-10-19P-B-12 311-P-10-19S-B-12	DCM-21WA4S-NMB-77 DCM21WA4S-NMB-76 DCM-21W4P-NMB-77 DCM-21W4S-NMB-77	311-P-10-8P-B-12 311-P-10-8P-B-15	DAM-7W2P-NMB-77 DAM-7W2P-NMB-76
311-P-10-1B-4S-B-15 311-P-10-1P-B-12 311-P-10-1P-B-15	DCMB37S-NMB-76 DEMPPNMB77 DEM-9P-NMB-76	311-P-10-2P-B-12 311-P-10-2P-B-15	DAM15PNMB77 DAM15PNMB76	311-P-10-8S-B-12	DAM-7W2S-NMB-77
311-P-10-1S-B-12 311-P-10-1S-B-15	DEM9SNMB77 DEM-9S-NMB-76	311-P-10-2S-B-12	DAM15SNMB77	311-P-10-9P-B-12 311-P-10-9P-B-15	DAM-11W1P-NMB-77 DAM-11W1P-NMB-76
311-P-10-10P-B-12 311-P-10-10P-B-15	DBM5W5PNMB77 DBM-5W5P-NMB-76	311-P-10-20P-B-12	DCM-25W3P-NMB-77	311-P-10-9S-B-12 311-P-10-9S-B-15	DAM-11W1S-NMB-77 DAM-11W1S-NMB-76
311-P-10-10S-B-12 311-P-10-10S-B-15	DBM-5W5S-NMB-77 DBM-5W5S-NMB-76			311-P-10B-1S-B-12	DEMB9SNMB77
311-P-10-11P-B-12 311-P-10-11S-B-12	DBM-9W4P-NMB-77 DBM-9W4S-NMB-77	311-P-10-22P-B-12 311-P-10-22P-B-15 311-P-10-22S-B-12 311-P-10-22S-B-15	DDM24W7P-NMB-77 DDM24W7PNMB76 DDM24W7SNMB77 DDM-24W7S-NMB-76	311-P-10B-13S-B-15	DBMB-17W2S-NMB-76
311-P-10-12P-B-12 311-P-10-12P-B-15	DBM13W3P-NMB-77 DBM-13W3P-NMB-76	311-P-10-23P-B-12 311-P-10-23S-B-12 311-P-10-23S-B-15	DDM36W4P-NMB-77 DDM-36W4S-NMB-77 DDM36W4SNMB76	311-P-10B-17S-B-15 311-P-10B-2S-B-12	DCMB-17W5S-NMB-76 DAMB15SNMB77
311-P-10-12S-B-12	DBM-13W3S-NMB-77			311-P-10B-22S-B-15	DDMB-247S-NMB-76
				311-P-10B-3S-B-12 311-P-10B-3S-B-15	DBMB-25S-NMB-77 DBMB-25S-NMB-76
				311-P-10B-4S-B-12	DCMB-37S-NMB-77



NASA/GSFC Cross Reference

NASA/GSFC Part Number	ITT Cannon Part Number	NASA/GSFC Part Number	ITT Cannon Part Number	NASA/GSFC Part Number	ITT Cannon Part Number
311-P-10B-5S-B-12	DDMB-50S-NMB-77	311-P-10B-6S-B-15	DEMB-5W1S-NMB-76	311-P-10B-8S-B-15	DAMB-7W2S-NMB-76
311-P-10B-5S-B-15	DDMB50S-NMB-76	311-P-10B-8S-B-12	DAMB-7W2S-NMB-77	311-P-10B-9S-B-12	DAMB-11W1S-NMB-77

ESA/SCC Cross Reference

ESA-SCC Part Number	ITT Cannon Part Number	ESA-SCC Part Number	ITT Cannon Part Number	ESA-SCC Part Number	ITT Cannon Part Number
340100101B DEM5W1SNMB	DEM5W1SNMBK52	340100101B DBM17W2POL3NMB	DBM17W2POL3NMBK52	340100101B DAM7W2P1A7NNMB	DAM7W2P1A7NNMBK52
340100101B DAM3W3SNMB	DAM3W3SNMBK52	340100101B DBM21W1POL3NMB	DBM21W1POL3NMBK52	340100101B DAM11W1P1A7NNMB	DAM11W1P1A7NNMBK52
340100101B DAM7W2SNMB	DAM7W2SNMBK52	340100101B DCM13W6POL3NMB	DCM13W6POL3NMBK52	340100101B DBM9W4P1A7NNMB	DBM9W4P1A7NNMBK52
340100101B DAM11W1SNMB	DAM11W1SNMBK52	340100101B DCM17W5POL3NMB	DCM17W5POL3NMBK52	340100101B DBM13W3P1A7NNMB	DBM13W3P1A7NNMBK52
340100101B DBM5W5SNMB	DBM5W5SNMBK52	340100101B DCM21WA4POL3NMB	DCM21WA4POL3NMBK52	340100101B DBM17W2P1A7NNMB	DBM17W2P1A7NNMBK52
340100101B DBM9W4SNMB	DBM9W4SNMBK52	340100101B DCM25W3POL3NMB	DCM25W3POL3NMBK52	340100101B DBM21W1P1A7NNMB	DBM21W1P1A7NNMBK52
340100101B DBM13W3SNMB	DBM13W3SNMBK52	340100101B DCM27W2POL3NMB	DCM27W2POL3NMBK52	340100101B DCM13W6P1A7NNMB	DCM13W6P1A7NNMBK52
340100101B DBM17W2SNMB	DBM17W2SNMBK52	340100101B DDM24W7POL3NMB	DDM24W7POL3NMBK52	340100101B DCM17W5P1A7NNMB	DCM17W5P1A7NNMBK52
340100101B DBM21W1SNMB	DBM21W1SNMBK52	340100101B DDM36W4POL3NMB	DDM36W4POL3NMBK52	340100101B DCM21WA4P1A7NNMB	DCM21WA4P1A7NNMBK52
340100101B DCM8W8SNMB	DCM8W8SNMBK52	340100101B DDM43W2POL3NMB	DDM43W2POL3NMBK52	340100101B DCM25W3P1A7NNMB	DCM25W3P1A7NNMBK52
340100101B DCM13W6SNMB	DCM13W6SNMBK52	340100101B DDM47W1POL3NMB	DDM47W1POL3NMBK52	340100101B DCM27W2P1A7NNMB	DCM27W2P1A7NNMBK52
340100101B DCM17W5SNMB	DCM17W5SNMBK52	340100101B DEM5W1S1AONNMB	DEM5W1S1AONNMBK52	340100101B DDM24W7P1A7NNMB	DDM24W7P1A7NNMBK52
340100101B DCM21WA4SNMB	DCM21WA4SNMBK52	340100101B DAM7W2S1AONNMB	DAM7W2S1AONNMBK52	340100101B DDM36W4P1A7NNMB	DDM36W4P1A7NNMBK52
340100101B DCM25W3SNMB	DCM25W3SNMBK52	340100101B DAM11W1S1AONNMB	DAM11W1S1AONNMBK52	340100101B DDM43W2P1A7NNMB	DDM43W2P1A7NNMBK52
340100101B DCM27W2SNMB	DCM27W2SNMBK52	340100101B DBM9W4S1AONNMB	DBM9W4S1AONNMBK52	340100101B DDM47W1P1A7NNMB	DDM47W1P1A7NNMBK52
340100101B DDM24W7SNMB	DDM24W7SNMBK52	340100101B DBM13W3S1AONNMB	DBM13W3S1AONNMBK52	340100101B DEM5W1S1A9NNMB	DEM5W1S1A9NNMBK52
340100101B DDM36W4SNMB	DDM36W4SNMBK52	340100101B DBM17W2S1AONNMB	DBM17W2S1AONNMBK52	340100101B DAM7W2S1A9NNMB	DAM7W2S1A9NNMBK52
340100101B DDM43W2SNMB	DDM43W2SNMBK52	340100101B DBM21W1S1AONNMB	DBM21W1S1AONNMBK52	340100101B DAM11W1S1A9NNMB	DAM11W1S1A9NNMBK52
340100101B DDM47W1SNMB	DDM47W1SNMBK52	340100101B DCM13W6S1AONNMB	DCM13W6S1AONNMBK52	340100101B DBM9W4S1A9NNMB	DBM9W4S1A9NNMBK52
340100101B DEM5W1PNMB	DEM5W1PNMBK52	340100101B DCM17W5S1AONNMB	DCM17W5S1AONNMBK52	340100101B DBM13W3S1A9NNMB	DBM13W3S1A9NNMBK52
340100101B DAM3W3PNMB	DAM3W3PNMBK52	340100101B DCM21WA4S1AONNMB	DCM21WA4S1AONNMBK52	340100101B DBM17W2S1A9NNMB	DBM17W2S1A9NNMBK52
340100101B DAM7W2PNMB	DAM7W2PNMBK52	340100101B DCM25W3S1AONNMB	DCM25W3S1AONNMBK52	340100101B DBM21W1S1A9NNMB	DBM21W1S1A9NNMBK52
340100101B DAM11W1PNMB	DAM11W1PNMBK52	340100101B DCM27W2S1AONNMB	DCM27W2S1AONNMBK52	340100101B DCM13W6S1A9NNMB	DCM13W6S1A9NNMBK52
340100101B DBM5W5PNMB	DBM5W5PNMBK52	340100101B DDM24W7S1AONNMB	DDM24W7S1AONNMBK52	340100101B DCM17W5S1A9NNMB	DCM17W5S1A9NNMBK52
340100101B DBM9W4PNMB	DBM9W4PNMBK52	340100101B DDM36W4S1AONNMB	DDM36W4S1AONNMBK52	340100101B DCM21WA4S1A9NNMB	DCM21WA4S1A9NNMBK52
340100101B DBM13W3PNMB	DBM13W3PNMBK52	340100101B DDM43W2S1AONNMB	DDM43W2S1AONNMBK52	340100101B DCM25W3S1A9NNMB	DCM25W3S1A9NNMBK52
340100101B DBM17W2PNMB	DBM17W2PNMBK52	340100101B DDM47W1S1AONNMB	DDM47W1S1AONNMBK52	340100101B DCM27W2S1A9NNMB	DCM27W2S1A9NNMBK52
340100101B DBM21W1PNMB	DBM21W1PNMBK52	340100101B DEM5W1P1AONNMB	DEM5W1P1AONNMBK52	340100101B DDM24W7S1A9NNMB	DDM24W7S1A9NNMBK52
340100101B DCM8W8PNMB	DCM8W8PNMBK52	340100101B DAM7W2P1AONNMB	DAM7W2P1AONNMBK52	340100101B DDM36W4S1A9NNMB	DDM36W4S1A9NNMBK52
340100101B DCM13W6PNMB	DCM13W6PNMBK52	340100101B DAM11W1P1AONNMB	DAM11W1P1AONNMBK52	340100101B DCM21WA4S1A9NNMB	DCM21WA4S1A9NNMBK52
340100101B DCM17W5PNMB	DCM17W5PNMBK52	340100101B DBM9W4P1AONNMB	DBM9W4P1AONNMBK52	340100101B DCM25W3S1A9NNMB	DCM25W3S1A9NNMBK52
340100101B DCM21WA4PNMB	DCM21WA4PNMBK52	340100101B DBM13W3P1AONNMB	DBM13W3P1AONNMBK52	340100101B DCM27W2S1A9NNMB	DCM27W2S1A9NNMBK52
340100101B DCM25W3PNMB	DCM25W3PNMBK52	340100101B DBM17W2P1AONNMB	DBM17W2P1AONNMBK52	340100101B DAM7W2P1A9NNMB	DAM7W2P1A9NNMBK52
340100101B DCM27W2PNMB	DCM27W2PNMBK52	340100101B DBM21W1P1AONNMB	DBM21W1P1AONNMBK52	340100101B DAM11W1P1A9NNMB	DAM11W1P1A9NNMBK52
340100101B DCM24W7PNMB	DCM24W7PNMBK52	340100101B DCM13W6P1AONNMB	DCM13W6P1AONNMBK52	340100101B DBM9W4P1A9NNMB	DBM9W4P1A9NNMBK52
340100101B DDM36W4PNMB	DDM36W4PNMBK52	340100101B DCM17W5P1AONNMB	DCM17W5P1AONNMBK52	340100101B DBM13W3P1A9NNMB	DBM13W3P1A9NNMBK52
340100101B DDM43W2PNMB	DDM43W2PNMBK52	340100101B DCM21WA4P1AONNMB	DCM21WA4P1AONNMBK52	340100101B DBM17W2P1A9NNMB	DBM17W2P1A9NNMBK52
340100101B DDM47W1PNMB	DDM47W1PNMBK52	340100101B DCM25W3P1AONNMB	DCM25W3P1AONNMBK52	340100101B DBM21W1P1A9NNMB	DBM21W1P1A9NNMBK52
340100101B DEM5W1SOL3NMB	DEM5W1SOL3NMBK52	340100101B DCM27W2P1AONNMB	DCM27W2P1AONNMBK52	340100101B DCM13W6P1A9NNMB	DCM13W6P1A9NNMBK52
340100101B DAM7W2SOL3NMB	DAM7W2SOL3NMBK52	340100101B DDM24W7P1AONNMB	DDM24W7P1AONNMBK52	340100101B DBM9W4P1A9NNMB	DBM9W4P1A9NNMBK52
340100101B DAM11W1SOL3NMB	DAM11W1SOL3NMBK52	340100101B DDM36W4P1AONNMB	DDM36W4P1AONNMBK52	340100101B DBM13W3P1A9NNMB	DBM13W3P1A9NNMBK52
340100101B DBM9W4SOL3NMB	DBM9W4SOL3NMBK52	340100101B DDM43W2P1AONNMB	DDM43W2P1AONNMBK52	340100101B DBM17W2P1A9NNMB	DBM17W2P1A9NNMBK52
340100101B DBM13W3SOL3NMB	DBM13W3SOL3NMBK52	340100101B DDM47W1P1AONNMB	DDM47W1P1AONNMBK52	340100101B DEM5W1SF179ANMB	DEM5W1SF179ANMBK52
340100101B DBM17W2SOL3NMB	DBM17W2SOL3NMBK52	340100101B DEM5W1S1A7NNMB	DEM5W1S1A7NNMBK52	340100101B DAM7W2SF179ANMB	DAM7W2SF179ANMBK52
340100101B DBM21W1SOL3NMB	DBM21W1SOL3NMBK52	340100101B DAM7W2S1A7NNMB	DAM7W2S1A7NNMBK52	340100101B DAM11W1SF179ANMB	DAM11W1SF179ANMBK52
340100101B DCM13W6SOL3NMB	DCM13W6SOL3NMBK52	340100101B DAM11W1S1A7NNMB	DAM11W1S1A7NNMBK52	340100101B DBM9W4SF179ANMB	DBM9W4SF179ANMBK52
340100101B DCM17W5SOL3NMB	DCM17W5SOL3NMBK52	340100101B DBM9W4S1A7NNMB	DBM9W4S1A7NNMBK52	340100101B DBM13W3SF179ANMB	DBM13W3SF179ANMBK52
340100101B DCM21WA4SOL3NMB	DCM21WA4SOL3NMBK52	340100101B DBM13W3S1A7NNMB	DBM13W3S1A7NNMBK52	340100101B DEM5W1SF179ANMB	DEM5W1SF179ANMBK52
340100101B DCM25W3SOL3NMB	DCM25W3SOL3NMBK52	340100101B DBM17W2S1A7NNMB	DBM17W2S1A7NNMBK52	340100101B DAM7W2SF179ANMB	DAM7W2SF179ANMBK52
340100101B DCM27W2SOL3NMB	DCM27W2SOL3NMBK52	340100101B DBM21W1S1A7NNMB	DBM21W1S1A7NNMBK52	340100101B DAM11W1SF179ANMB	DAM11W1SF179ANMBK52
340100101B DDM24W7SOL3NMB	DDM24W7SOL3NMBK52	340100101B DCM13W6S1A7NNMB	DCM13W6S1A7NNMBK52	340100101B DBM9W4SF179ANMB	DBM9W4SF179ANMBK52
340100101B DDM36W4SOL3NMB	DDM36W4SOL3NMBK52	340100101B DCM17W5S1A7NNMB	DCM17W5S1A7NNMBK52	340100101B DBM13W3SF179ANMB	DBM13W3SF179ANMBK52
340100101B DDM43W2SOL3NMB	DDM43W2SOL3NMBK52	340100101B DCM21WA4S1A7NNMB	DCM21WA4S1A7NNMBK52	340100101B DEM5W1SF179ANMB	DEM5W1SF179ANMBK52
340100101B DDM47W1SOL3NMB	DDM47W1SOL3NMBK52	340100101B DCM25W3S1A7NNMB	DCM25W3S1A7NNMBK52	340100101B DAM7W2SF179ANMB	DAM7W2SF179ANMBK52
340100101B DEM5W1POL3NMB	DEM5W1POL3NMBK52	340100101B DCM27W2S1A7NNMB	DCM27W2S1A7NNMBK52	340100101B DAM11W1SF179ANMB	DAM11W1SF179ANMBK52
340100101B DAM3W3POL3NMB	DAM3W3POL3NMBK52	340100101B DDM24W7S1A7NNMB	DDM24W7S1A7NNMBK52	340100101B DBM9W4SF179ANMB	DBM9W4SF179ANMBK52
340100101B DAM7W2POL3NMB	DAM7W2POL3NMBK52	340100101B DDM36W4S1A7NNMB	DDM36W4S1A7NNMBK52	340100101B DBM13W3SF179ANMB	DBM13W3SF179ANMBK52
340100101B DAM11W1POL3NMB	DAM11W1POL3NMBK52	340100101B DDM43W2S1A7NNMB	DDM43W2S1A7NNMBK52	340100101B DEM5W1SF179ANMB	DEM5W1SF179ANMBK52
340100101B DBM9W4POL3NMB	DBM9W4POL3NMBK52	340100101B DDM47W1S1A7NNMB	DDM47W1S1A7NNMBK52	340100101B DAM7W2SF179ANMB	DAM7W2SF179ANMBK52
340100101B DBM13W3POL3NMB	DBM13W3POL3NMBK52	340100101B DEM5W1P1A7NNMB	DEM5W1P1A7NNMBK52	340100101B DAM11W1SF179ANMB	DAM11W1SF179ANMBK52



Dimensions shown in mm
Specifications and dimensions subject to change

www.ittcannon.com

ESA/SCC Cross Reference

ESA-SCC Part Number	ITT Cannon Part Number	ESA-SCC Part Number	ITT Cannon Part Number
340100101B DDM36W4SF179ANMB	DDM36W4SF179ANMBK52	340100415B	DM115740-13
340100101B DDM43W2SF179ANMB	DDM43W2SF179ANMBK52	340100419B	DM115740-12
340100101B DDM47W1SF179ANMB	DDM47W1SF179ANMBK52	340100412B	DM115742-15
340100101B DEM5W1PF179ANMB	DEM5W1PF179ANMBK52	340100416B	DM115742-14
340100101B DAM7W2PF179ANMB	DAM7W2PF179ANMBK52	340100420B	DM115742-13
340100101B DAM11W1PF179ANMB	DAM11W1PF179ANMBK52	340100413B	DM115741-7
340100101B DBM9W4PF179ANMB	DBM9W4PF179ANMBK52	340100417B	DM115741-8
340100101B DBM13W3PF179ANMB	DBM13W3PF179ANMBK52	340100414B	DM115743-20
340100101B DBM17W2PF179ANMB	DBM17W2PF179ANMBK52	340100418B	DM115743-22
340100101B DBM21W1PF179ANMB	DBM21W1PF179ANMBK52	340102207B	DE-59-20
340100101B DCM13W6PF179ANMB	DCM13W6PF179ANMBK52	340102208B	DE-60-20
340100101B DCM17W5PF179ANMB	DCM17W5PF179ANMBK52	340102209B	DA-59-20
340100101B DCM21WA4PF179ANMB	DCM21WA4PF179ANMBK52	340102210B	DA-60-20
340100101B DCM25W3PF179ANMB	DCM25W3PF179ANMBK52	340102211B	DB-59-20
340100101B DCM27W2PF179ANMB	DCM27W2PF179ANMBK52	340102212B	DB-60-20
340100101B DDM24W7PF179ANMB	DDM24W7PF179ANMBK52	340102213B	DC-59-20
340100101B DDM36W4PF179ANMB	DDM36W4PF179ANMBK52	340102214B	DC-60-20
340100101B DDM43W2PF179ANMB	DDM43W2PF179ANMBK52	340102215B	DD-59-20
340100101B DDM47W1PF179ANMB	DDM47W1PF179ANMBK52	340102216B	DD-60-20
340100101B DEM9SNMB	DEM9SNMBK52	340102201B	D20418-52
340100101B DAM15SNMB	DAM15SNMBK52	340102206B	D115418-70
340100101B DBM25SNMB	DBM25SNMBK52	340102258B	D20418-101
340100101B DCM37SNMB	DCM37SNMBK52	340102202B	D20419-74
340100101B DDM50SNMB	DDM50SNMBK52	340102203B	D20419-48
340100101B DEM9PNMB	DEM9PNMBK52	340102204B	D20420-67
340100101B DAM15PNMB	DAM15PNMBK52	340102205B	D20420-49
340100101B DBM25PNMB	DBM25PNMBK52	340102244B	D20419-73
340100101B DCM37PNMB	DCM37PNMBK52	340102245B	D20419-84
340100101B DDM50PNMB	DDM50PNMBK52	340102246B	D20420-63
340100101B DEM9SOL3NMB	DEM9SOL3NMBK52	340102247B	D20420-88
340100101B DAM15SOL3NMB	DAM15SOL3NMBK52	340102225B	DA19678-167
340100101B DBM25SOL3NMB	DBM25SOL3NMBK52	340102226B	DB19678-168
340100101B DCM37SOL3NMB	DCM37SOL3NMBK52	340102227B	DC19678-138
340100101B DDM50SOL3NMB	DDM50SOL3NMBK52	340102228B	DD19678-161
340100101B DEM9POL3NMB	DEM9POL3NMBK52	340102239B	DE19977-47
340100101B DAM15POL3NMB	DAM15POL3NMBK52	340102240B	DA19977-40
340100101B DBM25POL3NMB	DBM25POL3NMBK52	340102241B	DB19977-43
340100101B DCM37POL3NMB	DCM37POL3NMBK52	340102242B	DC19977-45
340100101B DDM50POL3NMB	DDM50POL3NMBK52	340102243B	DD19977-44
340100101B DEM9S1AONNMB	DEM9S1AONNMBK52	340102234B	DE24657-16
340100101B DAM15S1AONNMB	DAM15S1AONNMBK52	340102235B	DA24658-15
340100101B DBM25S1AONNMB	DBM25S1AONNMBK52	340102236B	DB24659-15
340100101B DCM37S1AONNMB	DCM37S1AONNMBK52	340102237B	DC24660-16
340100101B DDM50S1AONNMB	DDM50S1AONNMBK52	340102238B	DD24661-13
340100101B DEM9P1AONNMB	DEM9P1AONNMBK52	340102229B	DE115386-101A
340100101B DAM15P1AONNMB	DAM15P1AONNMBK52	340102230B	DA115386-104A
340100101B DBM25P1AONNMB	DBM25P1AONNMBK52	340102231B	DB115386-102A
340100101B DCM37P1AONNMB	DCM37P1AONNMBK52	340102232B	DC115386-100A
340100101B DDM50P1AONNMB	DDM50P1AONNMBK52	340102233B	DD115386-103A
340100101B DEM9S1A7NNMB	DEM9S1A7NNMBK52	340100501B	030-8882-002
340100101B DAM15S1A7NNMB	DAM15S1A7NNMBK52	340100502B	031-8944-000
340100101B DBM25S1A7NNMB	DBM25S1A7NNMBK52	340100503B	030-8848-020
340100101B DCM37S1A7NNMB	DCM37S1A7NNMBK52	340100504B	031-8787-020
340100101B DDM50S1A7NNMB	DDM50S1A7NNMBK52	340100505B	330-8782-001
340100101B DEM9P1A7NNMB	DEM9P1A7NNMBK52	340100506B	031-8843-001
340100101B DAM15P1A7NNMB	DAM15P1A7NNMBK52	340100507B	330-8944-000
340100101B DBM25P1A7NNMB	DBM25P1A7NNMBK52	340100508B	031-8902-000
340100101B DCM37P1A7NNMB	DCM37P1A7NNMBK52		
340100101B DDM50P1A7NNMB	DDM50P1A7NNMBK52		
340100101B DEM9S1A9NNMB	DEM9S1A9NNMBK52		



Panel Mounting

Figure 1A

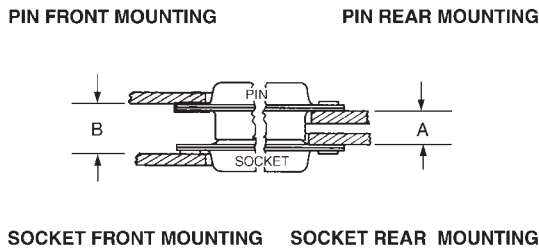


Figure 1B

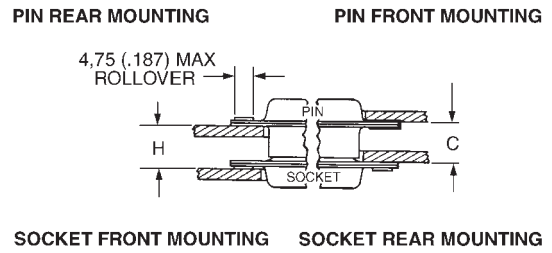


Figure 2

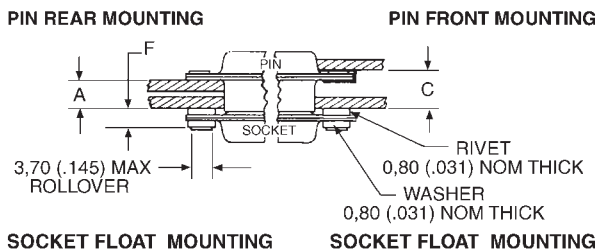


Figure 3

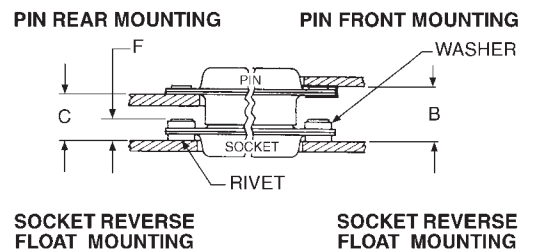


Figure Number	Combination of Mated Connectors			A +0,76 (.030)	B +0,76 (.030)	C +0,76 (.030)	F ±0,25 (.010)	H +0,76 (.030)
	Size	Pin (See Note Below)	Socket					
1A, 1B	A, E	Standard	Standard	6,35 (.250)	8,63 (.340)	7,49 (.295)	—	7,49 (.295)
1A, 1B	B, C, D	Standard	Standard	6,04 (.238)	8,71 (.343)	7,56 (.298)	—	7,18 (.283)
2	A, E	Standard	Float Mount	5,53 (.218)	—	6,68 (.263)	3,04 (.120)	—
2	B, C, D	Standard	Float Mount	5,23 (.206)	—	6,75 (.266)	3,04 (.120)	—
2	A, E	Float Mount	Standard	5,53 (.218)	—	6,68 (.263)	3,04 (.120)	—
2	B, C, D	Float Mount	Standard	5,23 (.206)	—	6,37 (.251)	3,30 (.130)	—
3	A, E	Standard	Reverse Float Mount	—	9,09 (.358)	7,95 (.313)	3,04 (.120)	—
3	B, C, D	Standard	Reverse Float Mount	—	9,16 (.361)	7,64 (.301)	3,04 (.120)	—
3	A, E	Reverse Float Mount	Standard	—	9,09 (.358)	7,95 (.313)	3,04 (.120)	—
3	B, C, D	Reverse Float Mount	Standard	—	9,01 (.355)	7,87 (.310)	3,30 (.130)	—

Notes:

1. A, B, C and H are dimensions between panels and represent the recommended limit to be used in the design of the connector mounting method.
2. It is recommended that only one assembly, either pin or socket, be float mounted.
3. Standard pin assemblies contained 0,38 (.015) thick front shells on E and A sizes; 0,61 (.024) thick front shells on B, C, and D sizes.
4. Standard connectors accommodate a #4 screw. Float mount connectors accommodate a #2 screw.

Dimensions shown in mm
Specifications and dimensions subject to change

www.ittcannon.com



X-ON Electronics

Largest Supplier of Electrical and Electronic Components

Click to view similar products for ITT manufacturer:

Other Similar products are found below :

[BKAF3-68102-25](#) [CA02COME22-22SBF80](#) [BKAD2-234-30001](#) [CB0-24-10SSA232](#) [MDM-31PSF](#) [110238-0195](#) [DAMN-7H2SN-A197](#)
[MDM21SH003M7](#) [MS3100F24-11PW](#) [MS3100E2410SZ](#) [MS3100F24-10SZ](#) [MS3100F24-11P](#) [BKAC2-313-32201](#) [MS3100E2411P](#)
[MS3100E2411PW](#) [MS3100E2411PX](#) [MS3100E2411PY](#) [MS3100E2411PZ](#) [MS3100F2411PX](#) [MS3100F2411PY](#) [MS3100F2411PZ](#)
[MS3106F2422SY](#) [MS3106E24-22SY](#) [MS3100F2422PW](#) [MS3100F2422PX](#) [MS3106E24-22SX](#) [MS3106E24-10S](#) [MS3100F2422SW](#)
[MS3100F2422SY](#) [MS3100F2422SX](#) [MS3100E2422PW](#) [MS3100E2422PX](#) [MS3100E2422PY](#) [MS3100F2422PY](#) [CA3102R32-15PK10](#)
[MS3100F2428SX](#) [MS3100F2428SY](#) [MS3100F24-28SZ](#) [MS3100F24-28PW](#) [MS3106E2428PZ](#) [MS3106F24-28SZ](#) [MS3106E2428PW](#)
[MS3100F24-28SW](#) [MS3106E2428SX](#) [BKAD3-A713-30001](#) [BKAD3-626-30001](#) [BKAC3-626-30001](#) [BKAD3-A713-30017](#) [BKAD3-537-](#)
[30001](#) [MDM51PH001BA174](#)