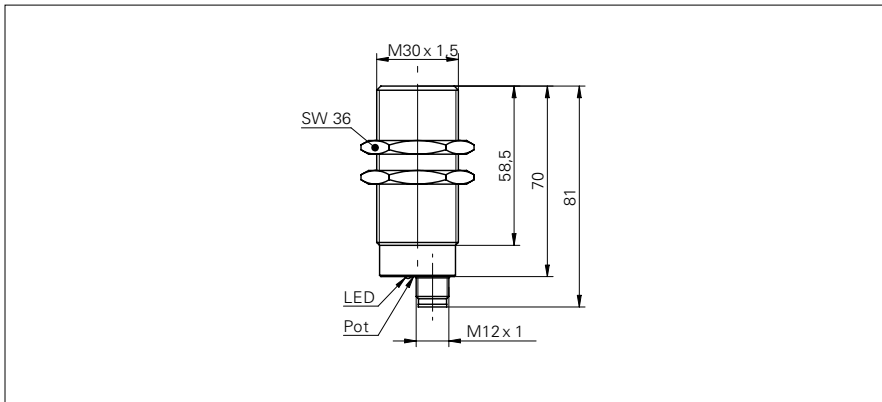


Ultrasonic proximity sensors

UNAM 30N1104/S14

dimension drawing



general data

| | |
|------------------------------|----------------------------|
| scanning range Sd | 200 ... 1500 mm |
| scanning range far limit Sde | 200 ... 1500 mm |
| hysteresis typ. | 4 % Sde |
| repeat accuracy | < 1 mm |
| temperature drift | < 0,18 % Sde/K |
| response time ton | < 100 ms |
| release time toff | < 100 ms |
| sonic frequency | 200 kHz |
| adjustment | potentiometer |
| alignment aid | target indication flashing |
| output indicator | LED green |

electrical data

| | |
|------------------------------------|------------------------|
| voltage supply range +Vs | 12 ... 30 VDC |
| current consumption max. (no load) | 30 mA |
| output circuit | NPN make function (NO) |
| output current | < 200 mA |
| voltage drop Vd | < 2 VDC |
| residual ripple | < 10 % Vs |
| short circuit protection | yes |
| reverse polarity protection | yes |

mechanical data

| | |
|------------------|----------------------|
| type | cylindrical threaded |
| housing material | brass nickel plated |
| width / diameter | 30 mm |
| height / length | 70 mm |
| connection types | connector M12 |

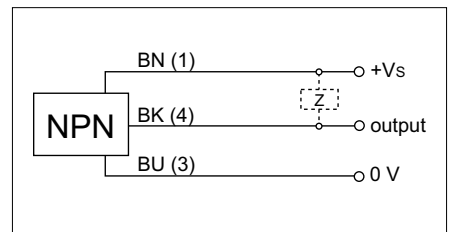
ambient conditions

| | |
|-----------------------|----------------|
| operating temperature | -25 ... +60 °C |
| protection class | IP 67 |

photo



connection diagram



• extended sensing distance

X-ON Electronics

Largest Supplier of Electrical and Electronic Components

Click to view similar products for [Proximity Sensors](#) category:

Click to view products by [Baumer](#) manufacturer:

Other Similar products are found below :

[01.001.5653.1](#) [70.340.1028.0](#) [70.360.2428.0](#) [70.364.4828.0](#) [70.810.1053.0](#) [72.360.1628.0](#) [73.363.6428.0](#) [980659-1](#) [QT-12](#)
[E2ECQC2D1M1GJT03M](#) [E2EX10D1NN](#) [E2E-X14MD1-G](#) [E2E-X2D1-G](#) [E2EX2ME2N](#) [E2E-X3D1-N](#) [10M](#) [E2E-X4MD1-G](#)
[E2FMX1R5D12M](#) [E2K-F10MC1](#) [5M](#) [EC3016PPASL-1](#) [EI1204TBOSL-6](#) [EI5515NPAP](#) [BSA-08-25-08](#) [IC08ANC15PO-K](#) [25.161.3253.0](#)
[25.332.0653.1](#) [25.352.0653.0](#) [25.352.0753.0](#) [25.523.3253.0](#) [922FS1.5C-A4P-Z774](#) [SC606ABV0S30](#) [SM552A100](#) [SM952A126100LE](#)
[SM956A132600](#) [A1220EUA-T](#) [F3S-A162-U](#) [CL18](#) [QT-08L](#) [34.110.0010.0](#) [TL-C2MF1-M3-E4](#) [IA08BLF15NOM5](#) [IA08BSF15NOM5](#)
[IA12ASF04DOM1](#) [IS2](#) [IS31SE5000-UTLS2-TR](#) [34.110.0021.0](#) [34.110.0022.0](#) [CA150-120VACDC](#) [VM18VA3000Q](#) [XS508BSCBL2](#)
[XS512BLNAM12](#)