

# Product Data Sheet



## 1XX Series Std

Replace "XX" with 01 through 36 for number of poles  
**Terminal Block– Closed Back**  
**20 Amps, 250 Volts (AC/DC)**



(6 Pole shown)

### Copper Wire Only

Wire Range with Wire Binding Screw: #12 - #22 AWG

3/8" Centers

[See table below for Wire Classes and torque](#)

### Electrical Ratings:

- 20A with unprepared wire, (Based on NEC Table 310-16, 75°C columns)
- 20A with Listed ring lug, (Based on NEC Table 310-16, 75°C columns)
- 150 Volts AC/DC (UL 1059 Class C, User Group – General Industrial)
- 250 Volts AC/DC (UL 1059 Class B, User Group – Commercial Appliances)
- Short Circuit Current Rating: 10,000A (Default)
- Approved for Factory and Field Wiring.

### Mechanical Ratings:

- Storage and transportation temperature range: -35°C to 110°C (-31°F to 230°F)\*
- Maximum insulator base temperature: 150°C (302°F)\* UL RTI
- Flammability rating of insulator base: UL 94V-1

\* Use outside these ratings needs to be judged in the end-use application.

### Materials:

- Connector (Contact): Brass, tin plated.
- Insulator base: Phenolic
- Drive screw (Rivet): Stainless steel
- Screw, #6-32 Binder head, Phil-Slot: Steel, nickel plated

### Agency Approvals:

- UL Recognized, UL 1059 Terminal Block Standard, File No. XCFR2.E62806
- CSA Certified, CSA C22.2 No. 158, File No. LR19766
- CE compliant, IEC 60947-7-1
- RoHS Compliant

### Wire Range:

Wire Size	Torque	Copper Wire Stranding Classes - Number of Strands		
		Solid	Class B	Class C
12	9 in. Lbs	1	7	19
14	9 in. Lbs	1	7	19
16	9 in. Lbs	1	7	19
18	9 in. Lbs	1	7	19
20	9 in. Lbs	1	7	19
22	9 in. Lbs	1	7	19

Suggested product mounting hardware: #6 fastener, torque to 10-15 in. lbs.

### ACCESSORIES:

- Printing (for printing options, see Terminal Block Printing)

<http://marathonsp.com/CatalogPDFs/TBPrinting.pdf>

- Marking strips (Sub mounted or Top mounted)

<http://marathonsp.com/CatalogPDFs/TopMountedMS.pdf>

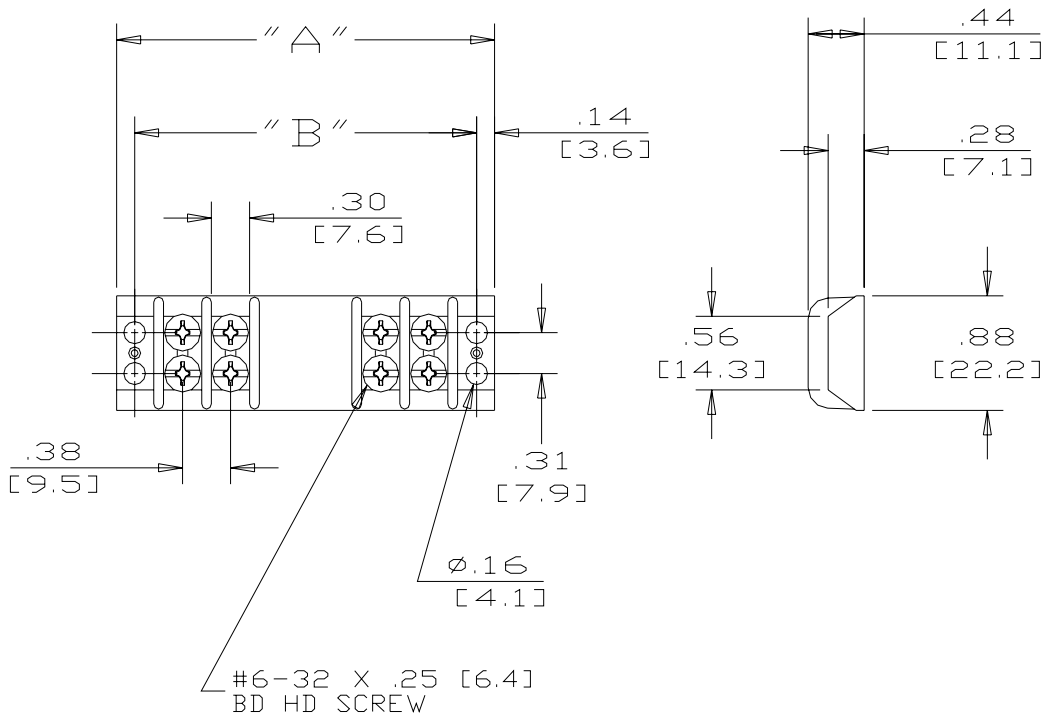
<http://marathonsp.com/CatalogPDFs/SubMounted.pdf>



- Cover – top mounted. Order CW (white) or CB (Black). Can be printed.

<http://marathonsp.com/CatalogPDFs/TopMountedCover.pdf>





Catalog No	# of Poles	Dimensions		X	Catalog No	# of Poles	Dimensions	
		A	B				A	B
101	1	1.03	0.75	X	119	19	7.78	7.50
102	2	1.41	1.13	X	120	20	8.16	7.88
103	3	1.78	1.50	X	121	21	8.53	8.25
104	4	2.16	1.88	X	122	22	8.91	8.63
105	5	2.53	2.25	X	123	23	9.29	9.01
106	6	2.91	2.63	X	124	24	9.66	9.38
107	7	3.28	3.00	X	125	25	10.04	9.76
108	8	3.66	3.38	X	126	26	10.41	10.13
109	9	4.03	3.75	X	127	27	10.79	10.51
110	10	4.41	4.13	X	128	28	11.17	10.89
111	11	4.78	4.50	X	129	29	11.54	11.26
112	12	5.16	4.88	X	130	30	11.92	11.64
113	13	5.53	5.25	X	131	31	12.29	12.01
114	14	5.91	5.63	X	132	32	12.67	12.39
115	15	6.28	6.00	X	133	33	13.05	12.77
116	16	6.66	6.38	X	134	34	13.42	13.14
117	17	7.03	6.75	X	135	35	13.80	13.52
118	18	7.41	7.13	X	136	36	14.17	13.89

Top Mounted Hardware is .187" Wide

MM = Dim X 25.4

[WWW.MARATHONSP.COM](http://WWW.MARATHONSP.COM)  
1-419-352-8441

## X-ON Electronics

Largest Supplier of Electrical and Electronic Components

*Click to view similar products for [Marathon manufacturer](#):*

Other Similar products are found below :

[104](#) [600AGP04PSB](#) [599GP200402PSB](#) [670A GP 03](#) [601RJ 06](#) [985GP02](#) [599-GP-2004-10](#) [600-2004-3-SP](#) [600-GP-20](#) [600TS-10](#) [601-GP-2102-02](#) [601-GP-3/4ST-12](#) [601-GPYSY-03](#) [602-GPYSY-22](#) [603-2302-04](#) [603-JJ-04](#) [603-JJ-07](#) [604-JJ-06](#) [605-GP-03SLB](#) [605-JJ-02](#) [651-XPR-13](#) [670-3/4ST-9](#) [670A-GP-3000-18](#) [670A-GP-3000-25](#) [670A-GP-3000-27](#) [670A-GP-3/4ST-10](#) [CW205-01C](#) [671-RZ-25](#) [672-GPY-05](#) [699-GP-2102-08](#) [6F30A3S](#) [6H38-TSKK-C](#) [6R30A3SP](#) [F600A1B](#) [F600A3B](#) [F60A1B](#) [799-6-KT28](#) [799-7-KT28](#) [FPB33588](#) [R30A1B](#) [RF400A3B](#) [1321970](#) [1322970CH](#) [1320972](#) [1331955](#) [1332270](#) [1332360](#) [1332554CH](#) [1333280CH](#) [1333575CH](#)