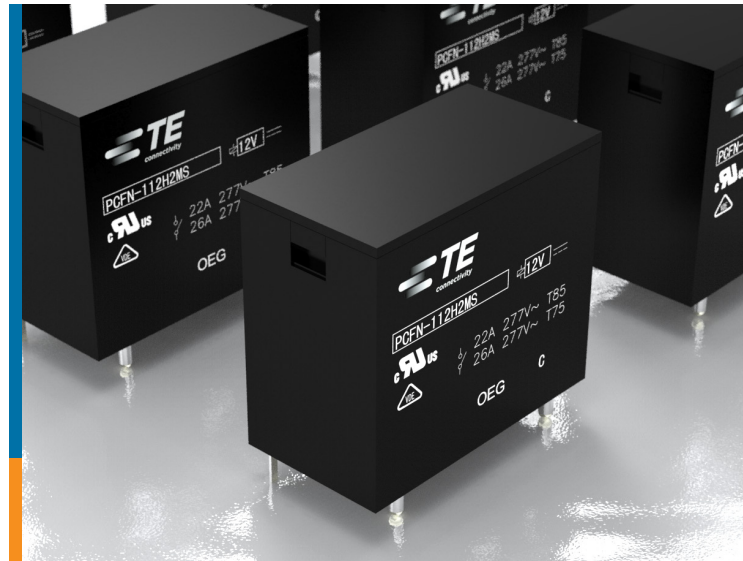


PCFN SOLAR

High Performance Power PCB Relay



TE Connectivity has expanded the PCFN Solar Relay line to include a new high performance relay with larger (> 1.8 mm) contact gaps to support extended insulation requirements for use in photovoltaic applications. With the same mechanical dimensions as the standard PCFN solar relays, the new high performance version has increased thermal performance up to 90°C and features a 1.5 W coil with low holding power of 200 mW to help lower energy costs.

Contact data

- Contact arrangement: 1 form A (NO)
- Contact gap: > 1.8 mm
- Rated voltage: 277 VAC
- Rated current: 26 A at 75°C ,
- Breaking capacity max.: 7200 VA
- Contact material: AgSnO₂

Coil Data

- Rated coil voltage: 12 VDC and 24 VDC
- UL coil insulation system: Class F
- Rated coil power: 1.5 W¹

Insulation Data

- Initial dielectric strength:
 - Open contacts: 2500 V rms
 - Contact and coil: 4000 V rms
- Clearance/creepage: 6.1 mm

Mechanical

- Ambient temperature: -25 to $+ 90^{\circ}\text{C}$ ¹
- Vibration resistance: 10g
- Shock resistance: 100g

¹ Ambient temperature: $> 23^{\circ}\text{C}$ requires reduction of coil voltage to 37%...50% of rated coil voltage after 100 ms

Key Benefits

- Compact size for PCB applications
- Meets IEC 62109-2 requirement for > 1.8 mm contact gap
- Energy efficient holding power of 200 mW

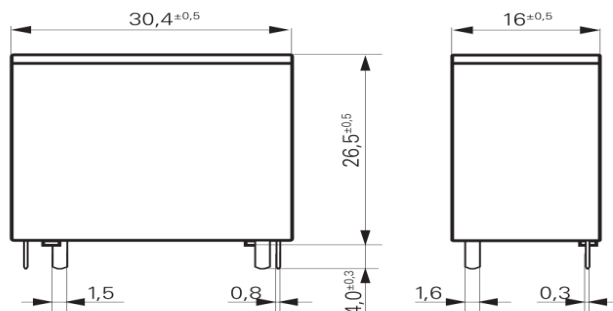
Applications

- Photovoltaic inverters
- Charging stations
- Electrical grid disconnects

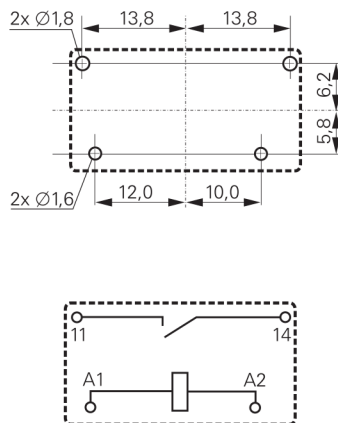
Product Offering

| Product Code | Part Number | Version | Contact arrangement | Contact material | Coil |
|--------------|-------------|-----------------|-----------------------|--------------------|--------|
| PCFN-112H2MS | 2071169-1 | PCB, flux tight | 1 form A (NO) contact | AgSnO ₂ | 12 VDC |
| PCFN-124H2MS | 2071169-2 | PCB, flux tight | 1 form A (NO) contact | AgSnO ₂ | 24 VDC |

Product Dimensions



PCB Layout / Terminal Assignment *(Bottom view on solder pins)*



NOTE: it is recommended to connect the grid (phase or neutral line) to pin 11 of the PCFN Solar.

X-ON Electronics

Largest Supplier of Electrical and Electronic Components

Click to view similar products for [General Purpose Relays](#) category:

Click to view products by [TE Connectivity](#) manufacturer:

Other Similar products are found below :

[APF30318](#) [JVN1AF-4.5V-F](#) [PCN-105D3MHZ](#) [5JO-10000S-SIL](#) [5JO-1000CD-SIL](#) [5JO-400CD-SIL](#) [LY2S-AC220/240](#) [LYQ20DC12](#)
[6031007G](#) [6131406HQ](#) [6-1393099-3](#) [6-1393099-8](#) [6-1393122-4](#) [6-1393123-2](#) [6-1393767-1](#) [6-1393843-7](#) [6-1415012-1](#) [6-1419102-2](#) [6-](#)
[1423698-4](#) [6-1608051-6](#) [6-1608067-0](#) [6-1616170-6](#) [6-1616248-2](#) [6-1616282-3](#) [6-1616348-2](#) [6-1616350-1](#) [6-1616350-8](#) [6-1616358-7](#) [6-](#)
[1616359-9](#) [6-1616360-9](#) [6-1616931-6](#) [6-1617039-1](#) [6-1617052-1](#) [6-1617090-2](#) [6-1617090-5](#) [6-1617347-5](#) [6-1617353-3](#) [6-1617801-8](#) [6-](#)
[1617802-2](#) [6-1618107-9](#) [6-1618248-4](#) [M83536/1-027M](#) [CX-4014](#) [MAHC-5494](#) [MAVCD-5419-6](#) [703XCX-120A](#) [7-1393100-5](#) [7-1393111-7](#)
[7-1393144-5](#) [7-1393767-8](#)