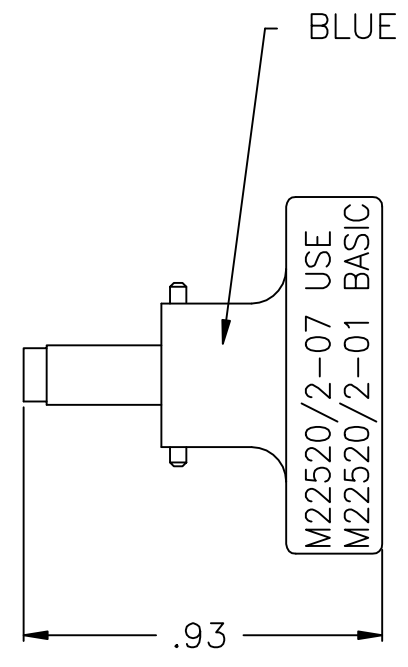
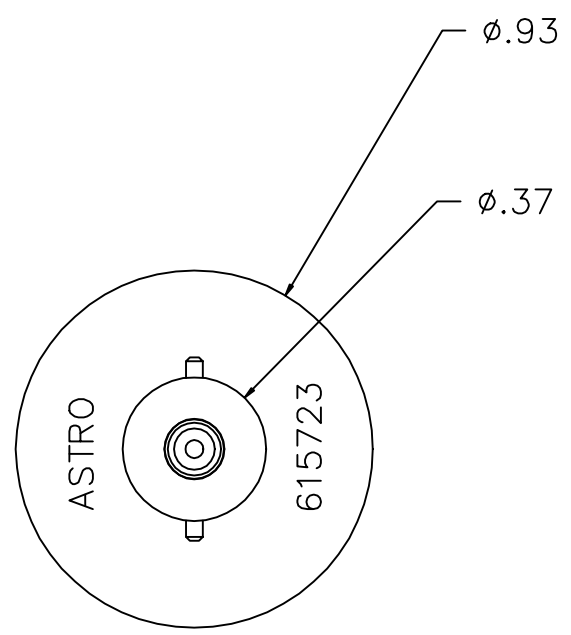
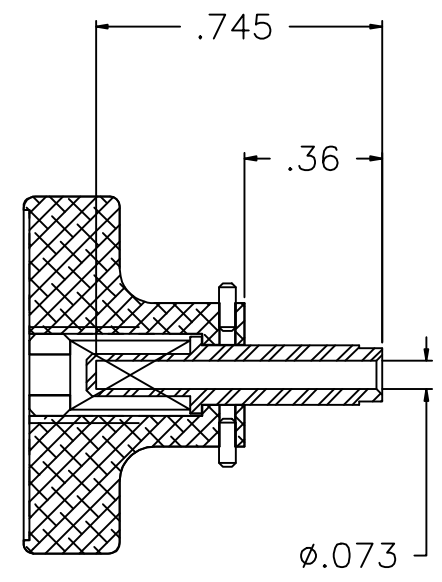


USE WITH CONTACTS

WIRE	22	24	26	28
-22 SEL.	4	3	2	
-22M SEL.	4	3	2	
-22D SEL.	4	3	2	1

MS27490-22 & 22M & 22D
MS27655-22D



**UNCONTROLLED DOCUMENT
WILL NOT BE UPDATED**

NOTES: 1. THIS IS AN ACAD DRAWING DO NOT CHANGE MANUALLY.

					<p>THESE DRAWINGS, SPECIFICATIONS OR OTHER DATA ARE AND REMAIN THE PROPERTY OF ASTRO TOOL CORP. AND MUST BE RETURNED UPON REQUEST. THEY CONTAIN INFORMATION OWNED AND/OR DEVELOPED BY ASTRO AT ITS OWN PRIVATE EXPENSE AND MAY NOT BE USED, DUPLICATED OR DISCLOSED TO OTHERS, IN WHOLE OR IN PART FOR DESIGN, MANUFACTURE OR PROCUREMENT WITHOUT THE WRITTEN PERMISSION OF ASTRO TOOL CORP. EACH AND EVERY TIME.</p>	<p>SCALE: N.T.S. DWN BY: DY0 DATE: 06-24-09 APPROVED:</p>	<p>UNLESS OTHERWISE SPECIFIED: DECIMALS: .XXX ± .005 .XX ± .010 .X ± .030 ANGLES: ± 1°</p>	<p>CAGE 58164 ASTRO TOOL CORP. 21615 S.W. TUALATIN VALLEY HWY., BEAVERTON OR 97006</p>
REV.	DESCRIPTION	BY	DATE	APR.				
A	NEW RELEASE.	DY0	06-24-09	MMK				
<p>DESCRIPTION: ENVELOPE DRAWING: 615723 POSITIONER (M22520/2-07)</p>								
PART NO.		B	615723-ENV					

X-ON Electronics

Largest Supplier of Electrical and Electronic Components

Click to view similar products for [Astro Tool](#) manufacturer:

Other Similar products are found below :

[AMT23009L](#) [AMT23163L](#) [AMT23B](#) [ATBX 1-8107-20](#) [M22520/2-09](#) [M81969/8-08](#) [AT 2020](#) [ATML 1704B](#) [ATA 1086](#) [M22520/5-01](#)
[615717](#) [M81969/8-02 RV.B](#) [M81969/8-06 RV.B](#) [ATA 1101](#) [AT 2016](#) [M22520/3-1](#) [MS24256-R16](#) [ATC 2426](#) [ATML 1901B](#) [M22520/7-01](#)
[M22520/1-04](#) [615708](#) [M22520/2-10](#) [M22520/2-07](#) [M81969/19-06 RV.B](#) [ATML 1906B](#) [M22520/2-01](#) [ATML 1703B](#) [M22520/2-08](#)