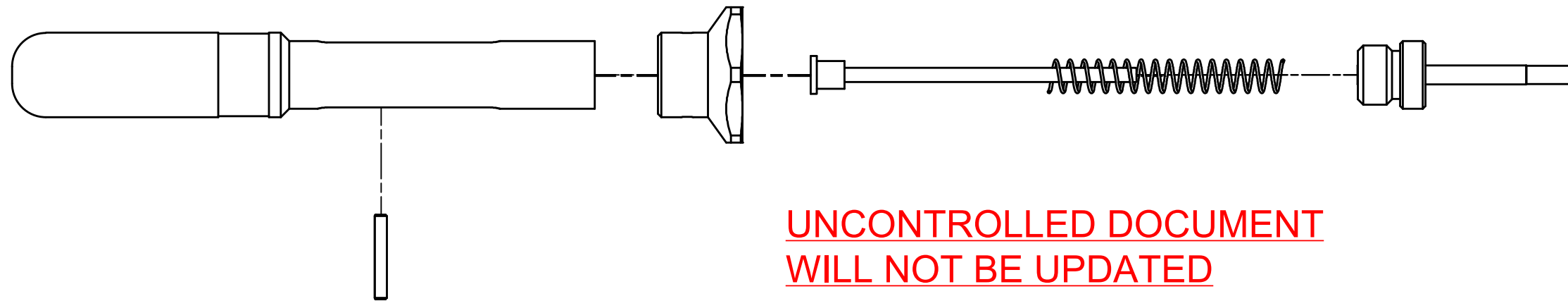
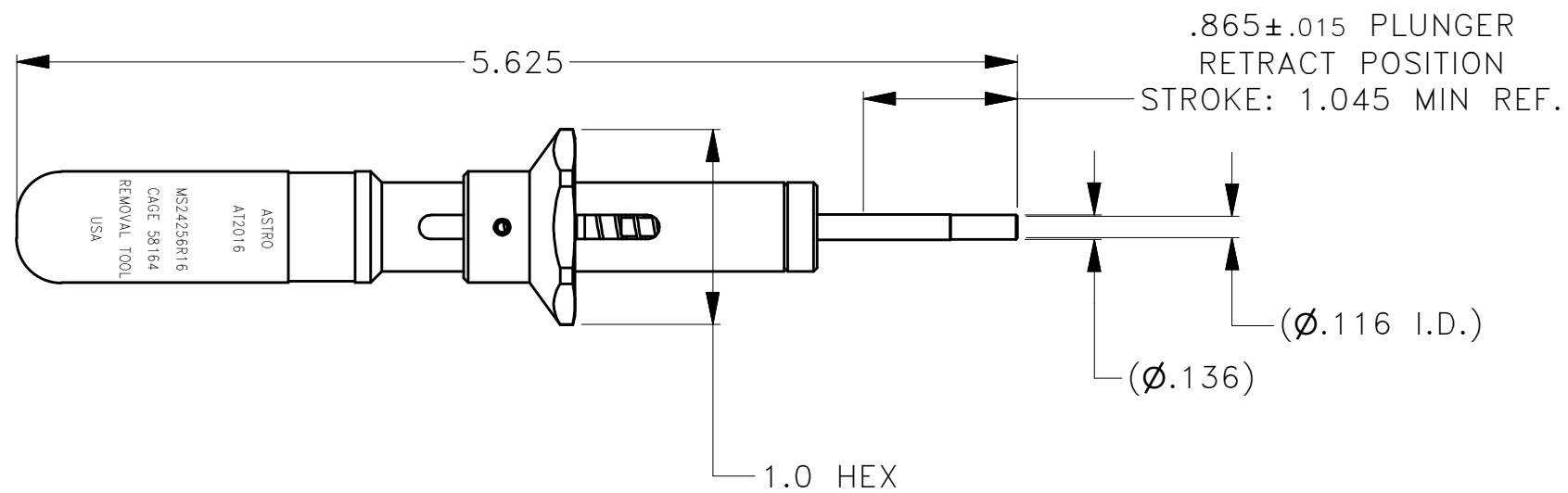



REVISIONS				
REV SYM	ECO NUMBER	DESCRIPTION	BY DATE	APP'D DATE
A		NEW RELEASE	DYO	MK 08-02-10



**UNCONTROLLED DOCUMENT
WILL NOT BE UPDATED**



NOTES:
1. THIS IS AN ICAD DRAWING DO NOT CHANGE MANUALLY.
2. COLOR CODE: BLUE.

THESE DRAWINGS, SPECIFICATIONS OR OTHER DATA ARE THE PROPERTY OF ASTRO TOOL CORP. AND MUST BE RETURNED UPON REQUEST. THEY CONTAIN INFORMATION OWNED AND/OR DEVELOPED BY ASTRO AT ITS OWN PRIVATE EXPENSE AND MAY NOT BE USED, DUPLICATED OR DISCLOSED TO OTHERS, IN WHOLE OR IN PART FOR DESIGN, MANUFACTURE, OR PROCUREMENT WITHOUT THE WRITTEN PERMISSION OF ASTRO TOOL CORP. EACH AND EVERY TIME. CREATED FROM AN INVENTOR MODEL. CHANGES MUST BE REFLECTED IN THE 3D PART DO NOT SCALE DRAWING	MATERIAL	N/A	ITEM	PART NO.	QTY.	DESCRIPTION/REMARKS
	HEAT TREAT	N/A	DRN. J.MATTHEWS	DATE 08-02-10	 CAGE 58164 21615 S.W. TUALATIN VALLEY HWY., BEAVERTON OR 97006	
	FINISH	N/A	CHK'D. MK	DATE 08-02-10	TITLE ENVELOPE DRAWING: AT 2016 REM TOOL, 16 GA, MS24256R16	
	TOLERANCE:		UNLESS OTHERWISE SPECIFIED FRACTIONS ± 1/32 ANGLES ± 1° DECIMAL INCHES:		WHERE USED:	SIZE
		.X ± .030 .XX ± .010 .XXX ± .005 .XXXX ± .0005 REMOVE BURRS AND BREAK SHARP EDGES .005-.015		POSTING	B	N.T.S.
				P/N	AT 2016_env	
				REV.	AT 2016-ENV	
					SHEET OF 10F1	
					A	

X-ON Electronics

Largest Supplier of Electrical and Electronic Components

Click to view similar products for [Astro Tool](#) manufacturer:

Other Similar products are found below :

[AMT23009L](#) [AMT23163L](#) [AMT23B](#) [ATBX 1-8107-20](#) [M22520/2-09](#) [M81969/8-08](#) [AT 2020](#) [ATML 1704B](#) [ATA 1086](#) [M22520/5-01](#)
[615717](#) [M81969/8-02 RV.B](#) [M81969/8-06 RV.B](#) [ATA 1101](#) [AT 2016](#) [M22520/3-1](#) [MS24256-R16](#) [ATC 2426](#) [ATML 1901B](#) [M22520/7-01](#)
[M22520/1-04](#) [615708](#) [M22520/2-10](#) [M22520/2-07](#) [M81969/19-06 RV.B](#) [ATML 1906B](#) [M22520/2-01](#) [ATML 1703B](#) [M22520/2-08](#)